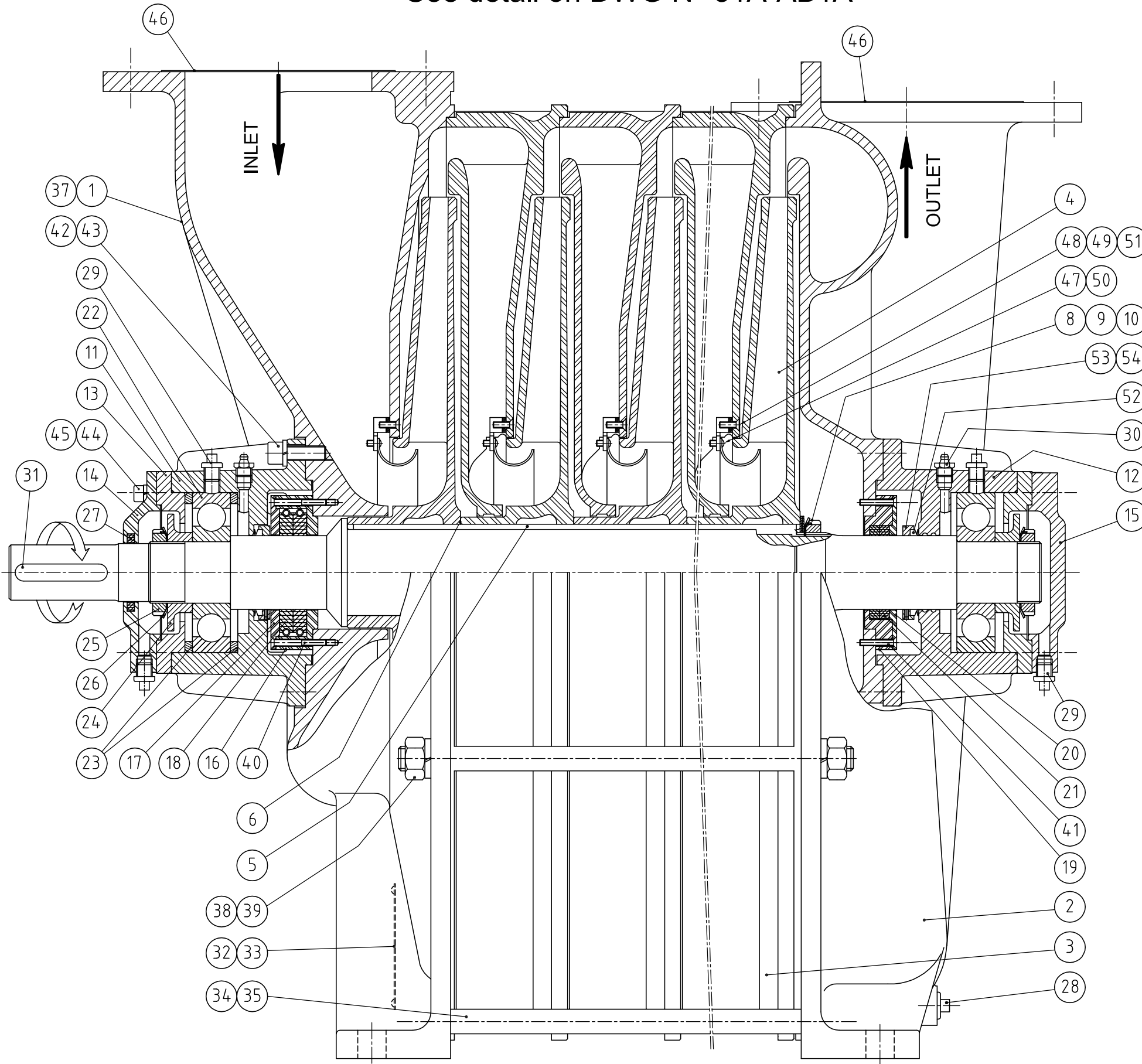



Drawing for information.
See detail on DWG N° 51A-AB1A



54	6	AHC M04-08.I	SCREW, AHC 4-8.I			S.STEEL	
53	2	S.4921	SET COLLAR, V-RING	51-07		C.STEEL	
52	2	S.4922	V-RING				
51	Variable	M05.I	WASHER, M5			S.STEEL	
50	Variable	GS M05-010.I	SCREW, GS M5-10			S.STEEL	
49	Variable	FHC M05-016.I	SCREW, FHC M5-16			S.STEEL	
48	Variable	S.0823	BRACKET, BAFFLE	50-20		S.STEEL	
47	Variable	S.0826	BAFFLE	50-12		S.STEEL	
46	2	S.0624	COVER, PORT				
45	12	CHC M8-040	SCREW, CHC M8-40				
44	12	W8	WASHER LOCK, W8				
43	12	CHC M12-035	SCREW, CHC M12-35				
42	12	W12	WASHER LOCK, W12				
41	6	FHC M05-030	SCREW FHC M5-30				
40	6	FHC M05-045	SCREW FHC M5-45				
39	Variable	H M20	NUT, H20				
38	14	W20	WASHER LOCK, W20				
37	1	S.1802	VALVE WARNING PLATE	008			
36	1	S.1801	SURGE WARNING PLATE (NOT SHOWN)	092		ALUMINIUM	
35	2	See 51A-AB1A	TIE ROD (short)	010		C.STEEL	
34	6	See 51A-AB1A	TIE ROD (long)	010		C.STEEL	
33	8	CT02.89-008	RIVET, ϕ 2,89-8				
32	1	S.1808	NAME PLATE	596		ALUMINIUM	
31	1	S.0613	KEY, COUPLING	003		C.STEEL	
30	2	S.0621	GREASER, 1/4 GAS				
29	4	S.0200	PLUG, 1/4 GAS				
28	1	S.1012	PLUG, 3/8 GAS				
27	1	S.0623	FELT JOINT ϕ 63x46x6				
26	2	S.0620	NUT, KM10				
25	2	S.0619	WASHER, MB10				
24	2	S.0610	GREASE SLINGER	30-20		C.STEEL	
23	2	S.0611	SPACER, BEARING / HOUSING BEARING	30-18		C.STEEL	
22	2	S.0617	BEARING, BALL 6410 C3				1,95
21	2	S.0862	GRAPHIT RING			GRAPHIT	
20	1	S.0856	ADAPTER, GRAPHIT RING	50-36		ALUMINIUM	0.1
19	1	S.0855	RETAINER, GRAPHIT RING	50-36		ALUMINIUM	0.36
18	2	S.0842	CARBON RING	50-29		CARBON	
17	1	S.0841	ADAPTER, CARBON RING	51-03		ALUMINIUM	0.15
16	1	S.0840	RETAINER, CARBON RING	51-03		ALUMINIUM	0.43
15	1	S.4663	CAP, BEARING-OUTLET END	31-46		CAST IRON	1.9
14	1	S.4664/A	CAP, BEARING-INLET END	31-46		ALUMINIUM	0.60
13	2	S.4665	SPACER, BEARING/CAP	31-47		CAST IRON	1.7
12	1	S.4662	HOUSING, BEARING OUTLET SIDE	31-48		CAST IRON	10
11	1	S.4667	HOUSING, BEARING INLET SIDE	31-49		CAST IRON	10
10	1	S.1222	NUT, KM13				
9	1	S.1221	WASHER, MB13				
8	2	S.4611	WAVY SPRING			C.STEEL	
7	1	See 51A-AB1A	SHAFT	51-120		C.STEEL	51A-AB1A
6	Variable	S.0668	SHIM, IMPELLER	006		C.STEEL	
5	1	See 51A-AB1A	KEY, IMPELLER	003		C.STEEL	
4	Variable	See 51A-AB1A	IMPELLER	51A-AB1A		ALUMINIUM	9
3	Variable	S.4903	SECTION, INTERMEDIATE	51-01		ALUMINIUM	26
2	1	S.0602	HEAD, OUTLET	30-02		CAST IRON	80
1	1	S.0801	HEAD, INLET	50-01		CAST IRON	85
REP.	NUMBRE	REFERENCE	DESCRIPTION	N°DWG/CAN	MMATE/BREL	WAGSE:kg	

CONTINENTAL INDUSTRIE  S ^t TRIVIER/MOIGNANS FRANCE	TYPE 051A INLET END DRIVE		ENSEMBLY: <input type="checkbox"/>
	PARTS LIST ATEX GAS		DATE: 29/02/2012
DESIGNATION:	Dessiné par: BD	Vérifié par: DR	DWG N°:
Désignation N°:	Désignation N°:	Désignation N°:	51A-AB1A-NM
This drawing is not for sale and its use is restricted to the communication of this document only.			