

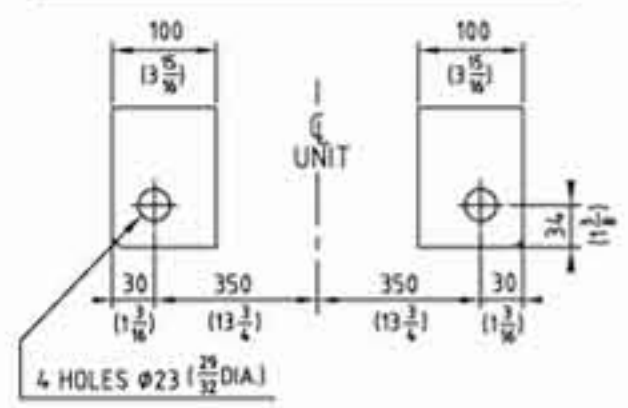
NOTES:-DIMENSIONS IN PARENTHESIS ARE IN INCHES.  
 -RECOMMENDED TIE ROD TORQUE: 30 F.T LBS.  
 -USED GREASE SPECIFICATIONS: HP-ST 3  
 EQUIVALENT: ESSO: BEACON 3  
 ELF: ROLEXA 3  
 TOTAL: MULTIS TIR  
 SHELL: ALVANIA EP3  
 MOBIL: MOBILUX EP3

REV.	DATE	ED.N	BY	REVISIONS
0	22/04/2004	091510028	BD	ORIGINAL
1			TF	CANCEL FLANGES

NOTE: \* SEALING COMPOUND SILICONE REF. S.2523 TO BE APPLIED TO ALL JOINTS BETWEEN OUTLET HEAD / HOUSING BEARING  
 \* SEALING COMPOUND TEFLON AND LOCTITE ON GREASER AND PLUG 1/4 GAS, OUTLET SIDE.

NOTE: ROTATION SPEED ≤ 3900 RPM.

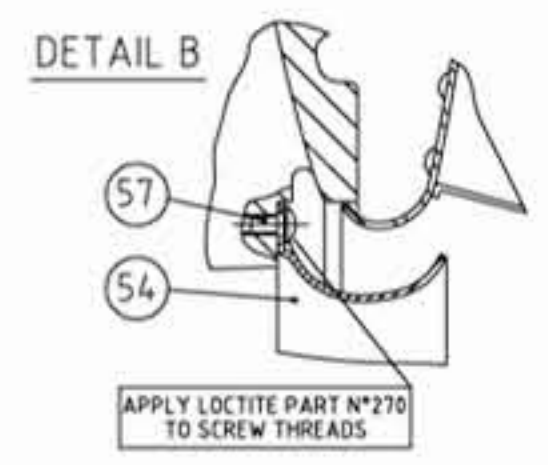
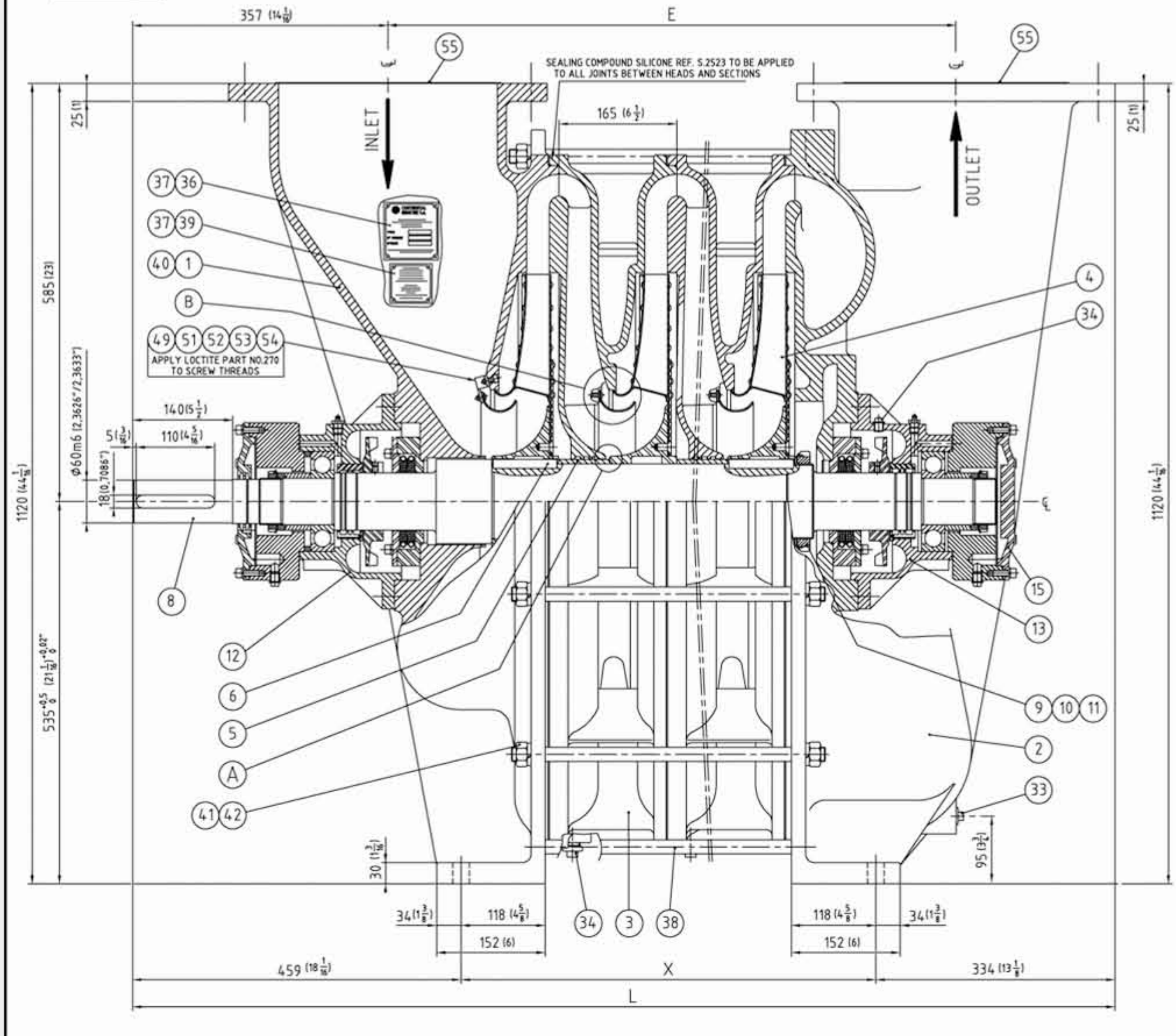
FOOT DIMENSIONS, ALL HEADS



INLET FLANGE DN300 PN10  
 Ø445(17 1/2 O.D.), Ø305 (12 I.D.)  
 12 HOLES Ø22 (I.D.) EQUALLY SPACED  
 STRADDLING CENTERLINES ON Ø400  
 (15 1/2 DIA.) BOLT CIRCLE

FLANGES

OUTLET FLANGE DN300 PN10  
 Ø445(17 1/2 O.D.), Ø305 (12 I.D.)  
 12 HOLES Ø22 (I.D.) EQUALLY SPACED  
 STRADDLING CENTERLINES ON Ø400  
 (15 1/2 DIA.) BOLT CIRCLE



QTY.	PART NO.	IMPELLER TYPE	DWG.	WEIGHT.kg
	S.5655	N°6201	151-348	15
	S.5518	N°6202	151-53	13,8
	S.5504	N°6211	151-04	13,6
	S.5520	N°6212	151-17	15,8
	S.5505	N°6301	151-05	7,4
	S.5627	N°6301.A	151-303	7
	S.5586	N°6302	151-170	7,2
	S.5551	N°6311	151-33	7,4
	S.5571	N°6312	151-87	8,3
	S.5656	N°6501	151-352	7,7
	S.5651	N°6511	151-336	7,8
	S.5668	N°6512	151-380	7,7

Chart I	TYPE	151.01	151.02	151.03	151.04	151.05	151.06	151.07
PART NO. ITEM 8	S.5521	S.5522	S.5523	S.5524	S.5525	S.5526	S.5527	
WEIGHT.kg, ITEM 8	35,7	46,9	58,1	69,3	80,5	91,7	102,9	
PART NO. ITEM 38	S.1241	S.1243	S.1035	S.0697	S.5258	S.5533	S.5534	
QTY.	ITEM 3	0	1	2	3	4	5	6
	ITEM 4	1	2	3	4	5	6	7
	ITEM 5	0	1	2	3	4	5	6
	ITEM 6	1	2	3	4	5	6	7
	ITEM 34	5	6	7	8	9	10	11
	ITEM 50	0	1	2	3	4	5	6
	ITEM 53	6	12	18	24	30	36	42
DIMENSION E		464 (18 1/4)	629 (24 3/4)	794 (31 1/4)	959 (37 3/4)	1124 (44 1/4)	1289 (50 3/4)	1454 (57 1/4)
DIMENSION X		250 (9 3/4)	415 (16 3/4)	580 (22 3/4)	745 (29 3/4)	910 (35 3/4)	1075 (42 1/4)	1240 (48 3/4)
DIMENSION L		104,3 (4 1/4)	1208 (47 1/4)	1373 (54 1/4)	1538 (60 5/4)	1703 (67 1/4)	1868 (73 3/4)	2033 (80 1/4)
WEIGHT: kg		640	870	1100	1330	1560	1790	2020
WEIGHT: LBS		1410	1918	2425	2932	3438	3945	4452

55	2	S.1224	COVER, PORT	050	C.STEEL	
54	Variable	M06J	WASHER, M6		S.STEEL	
53	See chart I	GS M06-010J	SCREW, GS M6-10		S.STEEL	
52	6	CHC M06-016	SCREW, CHC M6-16		S.STEEL	
51	6	S.1455	BRACKET, BAFFLE	150-21	S.STEEL	
50	See chart I	S.5535	BAFFLE, INTERMEDIATE SECTION	151-18	S.STEEL	
49	1	S.1251	BAFFLE, INLET HEAD	150-20	S.STEEL	
48	24	CHC M08-025	SCREW, CHC M8-25			
47	12	CHC M08-055	SCREW, CHC M8-55			
46	36	W08	WASHER LOCK, W8			
45	4	AHC M08-010 PL	SCREW, AHC M8-10 PL			
44	16	CHC M16-040	SCREW, CHC M16-40			
43	16	W16	WASHER LOCK, W16			
42	24	H M20	NUT, H20			
41	24	W20	WASHER LOCK, W20			
40	1	S.1802	VALVE WARNING PLATE	008		
39	1	S.1801	SURGE WARNING PLATE	092	ALUMINIUM	
38	12	See chart I	TIE ROD	010	C.STEEL	
37	8	CT02.89-008	RIVET, Ø2.89-8			
36	1	S.0216	NAME PLATE	284	ALUMINIUM	
35	1	S.1414	KEY, COUPLING	003	C.STEEL	
34	See chart I	S.0200	PLUG PIPE, 1/4 GAS			
33	1	S.1427	PLUG PIPE, 1/2 GAS			
32	2	S.0621	GREASER, 1/4 GAS			
31	2	S.5553	GREASE BOX	151-35	CAST IRON	9
30	2	S.1215	LABYRINTH, BEARING HOUSING	75-13	ALUMINIUM	
29	1	S.1218	FAN GUARD, BEARING HOUSING	75-41	C.STEEL	
28	1	S.1214	FAN GUARD, BEARING HOUSING	75-41	C.STEEL	
27	2	S.1275	GASKET, GREASE BOX	150-47		
26	2	S.1216	GASKET, BEARING CAP	150-18		
25	2	S.1222	NUT, KM13			
24	2	S.1221	WASHER, MB13			
23	2	S.1211	SPACER, SHORT	75-17	C.STEEL	
22	2	S.1212	SPACER, LONG	75-16	C.STEEL	
21	1	S.1272	SPACER, BEARING	150-46	C.STEEL	
20	2	S.1262	BEARING, BALL 6313 C3			2,1
19	2	S.1210	FAN, COOLING	75-12	ALUMINIUM	
18	4	S.1256	CARBON RING	150-39	CARBON	
17	2	S.1255	ADAPTER, CARBON RING	150-40	ALUMINIUM	0,45
16	2	S.1254	RETAINER, CARBON RING	150-40	ALUMINIUM	1,2
15	1	S.1204	CAP, BEARING-OUTLET END	150-14	ALUMINIUM	1,3
14	1	S.1205	CAP, BEARING-INLET END	150-13	ALUMINIUM	1,1
13	1	S.5601	HOUSING, BEARING OUTLET SIDE	151-236	CAST IRON	13,5
12	1	S.1270	HOUSING, BEARING INLET SIDE	150-48	CAST IRON	13
11	1	S.5532	NUT, KM21			
10	1	S.5531	WASHER, MB21			
9	2	S.5509	WASHER, WAVY SPRING	151-10	C.STEEL	
8	1	See chart I	SHAFT	151-07	S.STEEL	See chart I
7	Variable	S.5508	SHIM, IMPELLER	006	C.STEEL	
6	See chart I	S.5510	KEY, IMPELLER 14x12x90	003	C.STEEL	0,1
5	See chart I	S.5506	SPACER, IMPELLER	151-08	C.STEEL	1,4
4	See chart I	See chart II	IMPELLER	See chart II	ALUMINIUM	See chart II
3	See chart I	S.5503	SECTION, INTERMEDIATE	151-03	CAST IRON	195
2	1	S.5502	HEAD, OUTLET	151-02	CAST IRON	270
1	1	S.5501	HEAD, INLET	151-01	CAST IRON	260

CONTINENTAL INDUSTRIE S.A	TYPE 151 (GREASE LUBRICATION) INLET END DRIVE	ASSEMBLY: /
FRANCE	SECTIONAL DRAWING	DATE: 30/05/2000
QUOTATION: /	BIOGAS SEAL	SCALE: A1
ORDER No.: /	DR: BD	CHKD. DR: /
REVISIONS: /	22/04/2004	DWG No.: /
Ce plan est notre propriété et ne peut être copié ou communiqué à des tiers sans notre autorisation.		REV.: 1