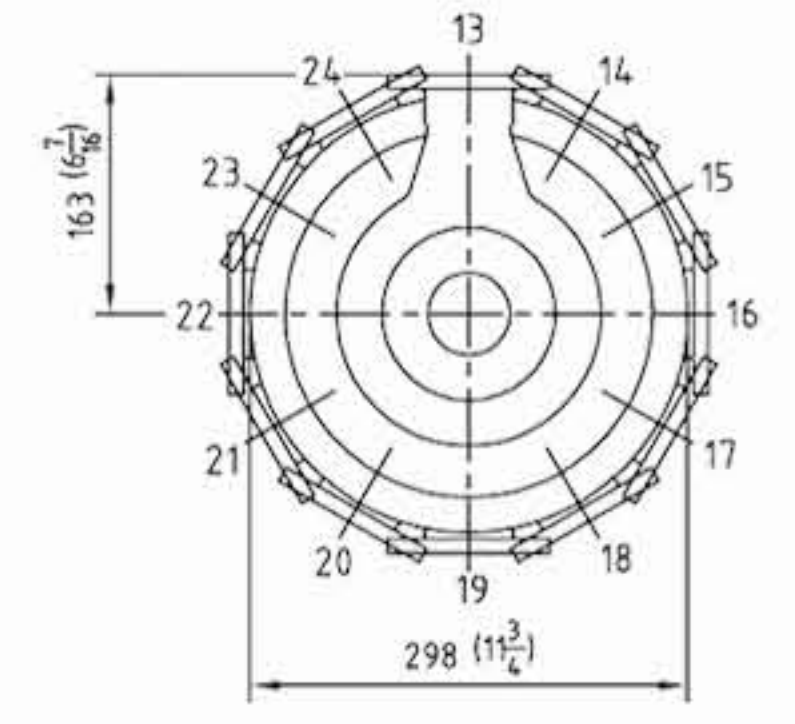
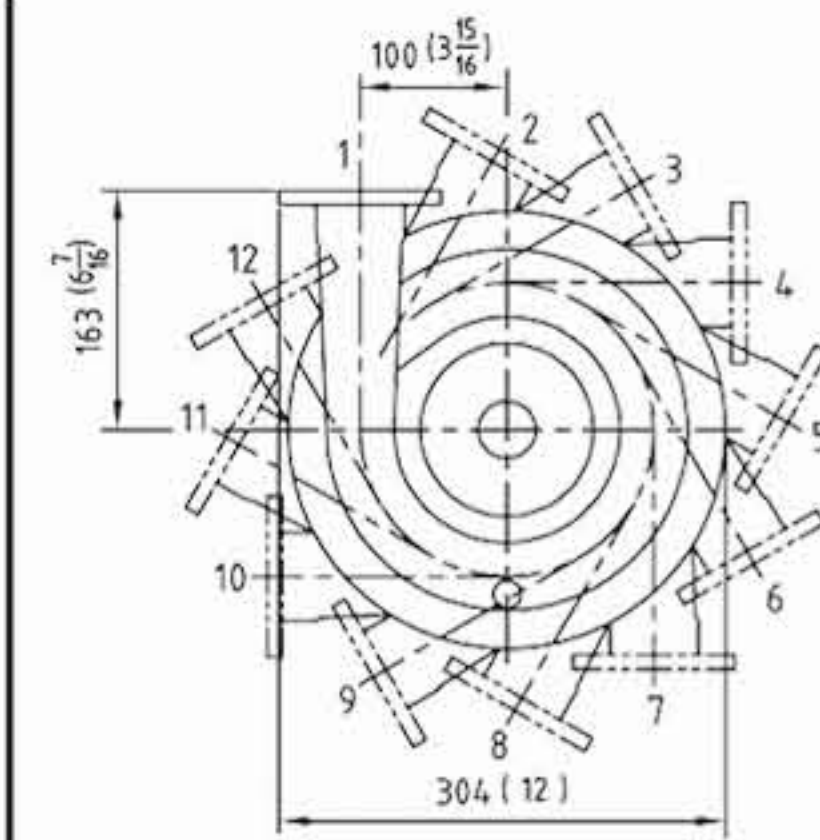
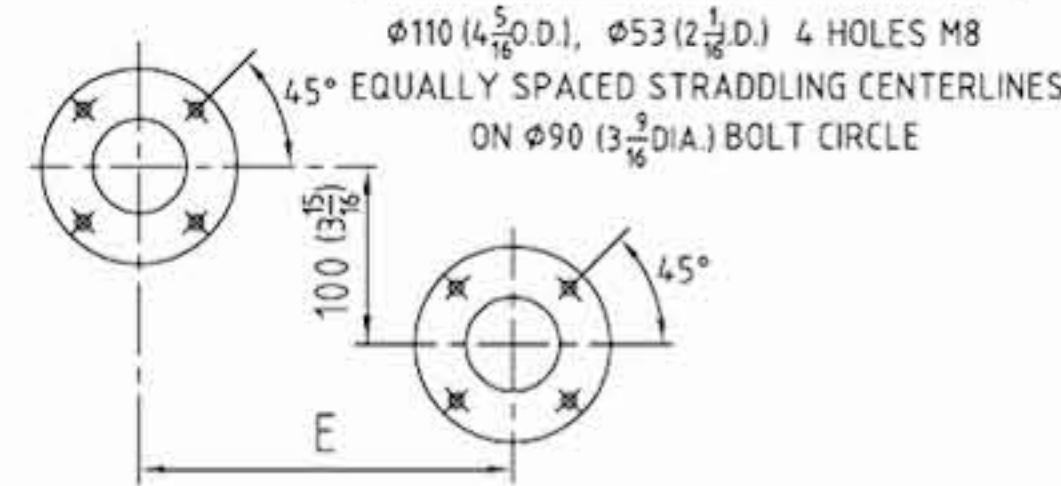


REV	DATE	E.D.N	BY	REVISIONS
0	26/08/1996	9120039	BD	ORIGINAL

NOTES: - DIMENSIONS IN PARENTHESIS ARE IN INCHES.
- RECOMMENDED TIE ROD TORQUE: 3,8 F.T. LBS.

NOTE: - SEALING COMPOUND SILICONE PART NO. S.2523 TO BE APPLIED TO ALL JOINT BETWEEN INTERMEDIATE SECTION AND HEADS + JOINT BETWEEN HOUSING BEARING AND OUTLET HEAD.
- SEALING COMPOUND TEFLON AND LOCTITE ON SCREW CHC M08-020.

INLET AND OUTLET FLANGES HEADS

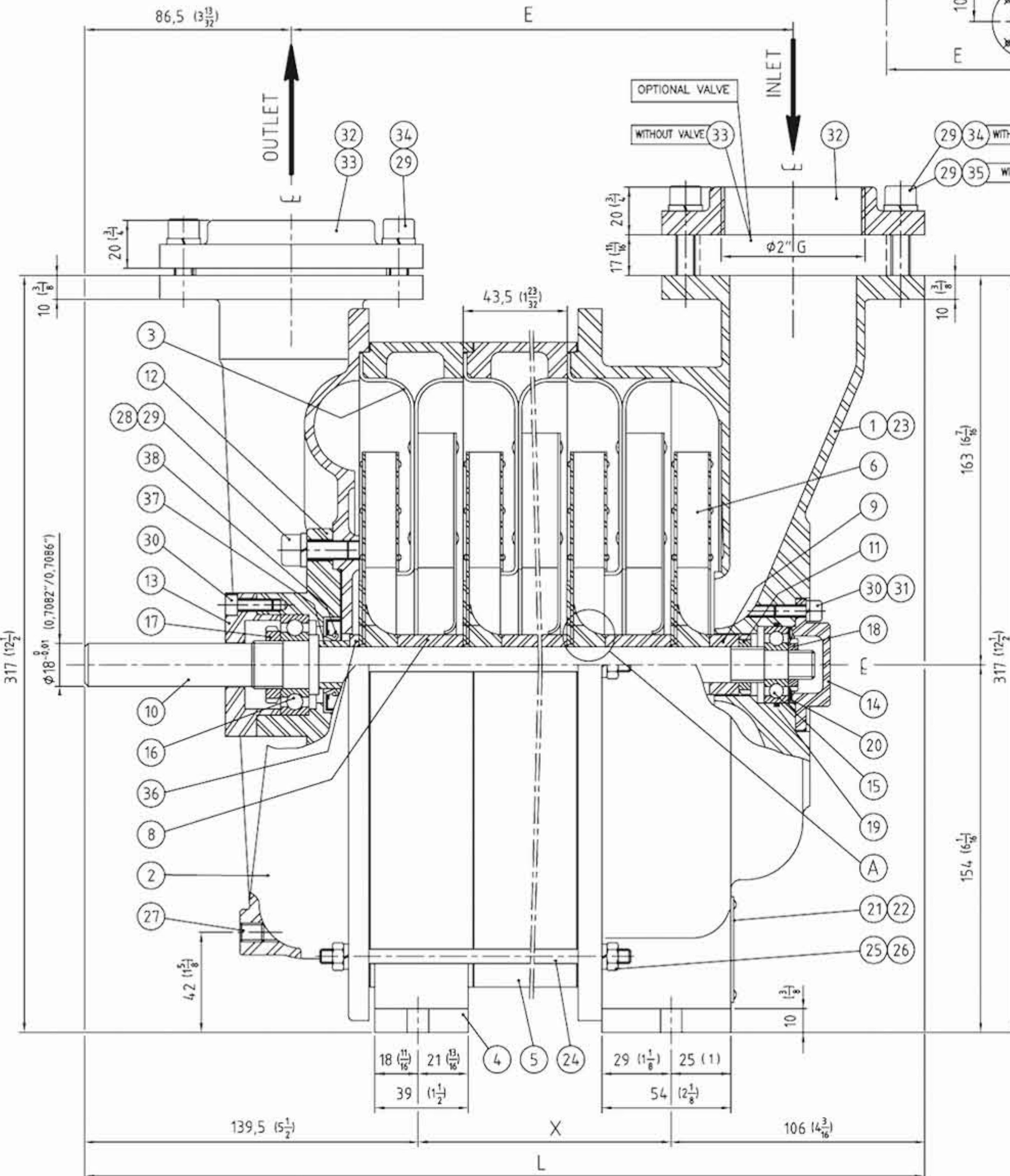


POSITION 1: STANDARD

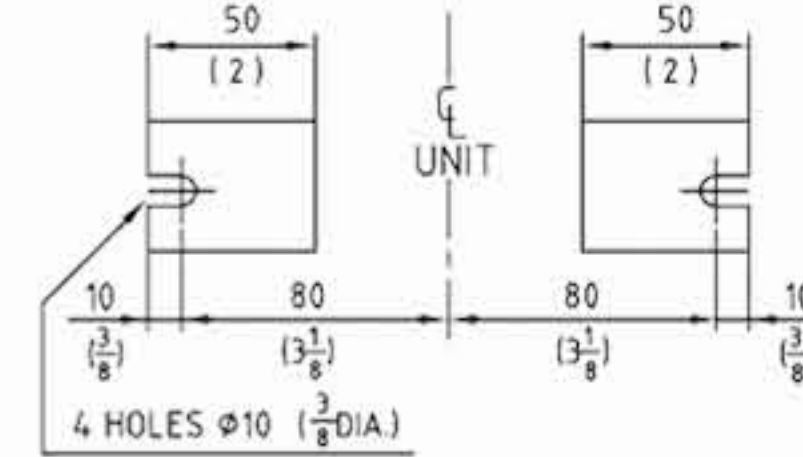
POSITION 13: STANDARD

OPTIONAL OUTLET HEAD POSITIONS

OPTIONAL INLET HEAD POSITIONS



FOOT DIMENSIONS



DETAIL A

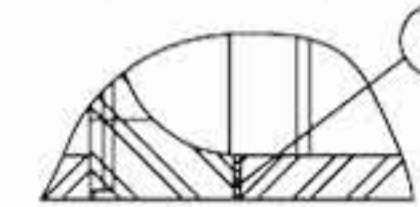


Chart II	WITH VALVE	WITHOUT VALVE
QTY. ITEM 33	1	2
ITEM 34	4	8
ITEM 35	4	0

Chart I	TYPE	002.02	002.03	002.04	002.05	002.06
PART NO. ITEM 10	S.0018	S.0020	S.0022	S.0024	S.0026	
WEIGHT: kg, ITEM 10	0,38	0,44	0,50	0,56	0,62	
PART NO. ITEM 24	CHC M06-030	CHC M06-070	S.0032	S.0033	S.0034	
QTY. ITEM 3	1	2	3	4	5	
ITEM 4	0	1	1	1	1	
ITEM 5	0	0	1	2	3	
ITEM 6	2	3	4	5	6	
ITEM 8	1	2	3	4	5	
ITEM 25	6	6	11	11	11	
ITEM 26	5	5	11	11	11	
DIMENSION E	123 (4 7/8")	166,5 (6 5/8")	210 (8 3/4")	253,5 (10")	297 (11 7/8")	
DIMENSION X	—	62,5 (2 1/2")	106 (4 1/8")	149,5 (5 7/8")	193 (7 5/8")	
DIMENSION L	264,5 (10 3/8")	308 (12 1/8")	351,5 (13 7/8")	395 (15 5/8")	438,5 (17 1/4")	
WEIGHT: kg	8,2	10,2	12,1	14	15,9	
WEIGHT: LBS	18	22,5	26,7	30,8	35	

38	1	S.2539	LIPSEAL Ø20xØ40x7		
37	1	S.2528	RING Ø15xØ20x13	S.STEEL	
36	1	S.0057	SPACER, IMPELLER Lg: 3,8	2-38	
35	See chart I	CHC M08-040	SCREW, CHC M8-40		0,02
34	See chart I	CHC M08-025	SCREW, CHC M8-25		0,015
33	See chart I	S.0014	COVER, PORT	050	C.STEEL 0,045
32	2	S.0015	COMPANION FLANGE TAPPED 2" GAS	2-15	ALUMINIUM 0,2
31	3	W05	WASHER LOCK, W5		
30	7	CHC M05-015	SCREW, CHC M5-15		
29	12	W08	WASHER LOCK, W8		
28	4	CHC M08-020	SCREW, CHC M8-20		0,013
27	1	AHC M08-010	SCREW, CHC M8-25 (DRAIN)		
26	See chart I	H M06	NUT, H6		
25	See chart I	W06	WASHER LOCK, W6		
24	6	See chart I	TIE ROD	010	C.STEEL
23	1	S.1802	VALVE WARNING PLATE	008	
22	4	CT018-010	RIVET, Ø1,8-10		
21	1	S.0011	NAME PLATE	284	ALUMINIUM
20	2	S.0013	WASHER, SPRING		C.STEEL
19	1	S.2556	O-RING Ø31,47 x 1,78		VITON
18	1	S.0010	NUT, KM1		0,008
17	1	S.0008	NUT, KM4		0,02
16	1	S.0007	BEARING, BALL 6004 C3 SEALED		0,069
15	1	S.0006	BEARING, BALL 6201 C3 SEALED		0,037
14	1	S.0005	CLOSED CAP DISCHARGE SIDE	2-08	ALUMINIUM 0,03
13	1	S.0004	HOUSING, BEARING CAP - OUTLET SIDE	2-08	ALUMINIUM 0,08
12	1	S.0044	HOUSING, BEARING	2-12	ALUMINIUM 0,38
11	1	S.0009	NUT, KM2		0,012
10	1	See chart I	SHAFT	2-14	C.STEEL See chart I
9	1	S.0054	SPACER, IMPELLER Lg: 12,3	2-38	ALUMINIUM 0,01
8	See chart I	S.0053	SPACER, IMPELLER Lg: 27,3	2-38	ALUMINIUM 0,023
7	Variable	S.0047	SHIM, IMPELLER	006	C.STEEL
6	See chart I	S.0056	IMPELLER	2-48	ALUMINIUM 0,2
5	See chart I	S.0031	SECTION, INTERMEDIATE WITHOUT FOOT	2-04	ALUMINIUM 0,9
4	See chart I	S.0030	SECTION, INTERMEDIATE WITH FOOT	2-03	ALUMINIUM 1,1
3	See chart I	S.0027	INTERNAL SECTION, INTERMEDIATE	2-05	ALUMINIUM 0,6
2	1	S.0002	HEAD, OUTLET	2-02	ALUMINIUM 1,8
1	1	S.0001	HEAD, INLET	2-01	ALUMINIUM 3,2

ITEM	QTY.	PART NO.	DESCRIPTION	DWG.	MATERIAL	WEIGHT: kg
CONTINENTAL INDUSTRIE S.A. TYPE 002 OUTLET END DRIVE						
S ³ TRIVIER/MOIGNANS FRANCE SECTIONAL DRAWING ALUMINIUM IMPELLER LIPSEAL						
ASSEMBLY: / DATE: 26/08/1996						
SCALE: /						
QUOTATION: / SIZE: A1						
ORDER No.: / DR: BD / CHKD: DR / DWG No. / REV.						
REVISIONS: / 2-RE1A 0						

Ce plan est notre propriété et ne peut être copié ou communiqué à des tiers sans notre autorisation.