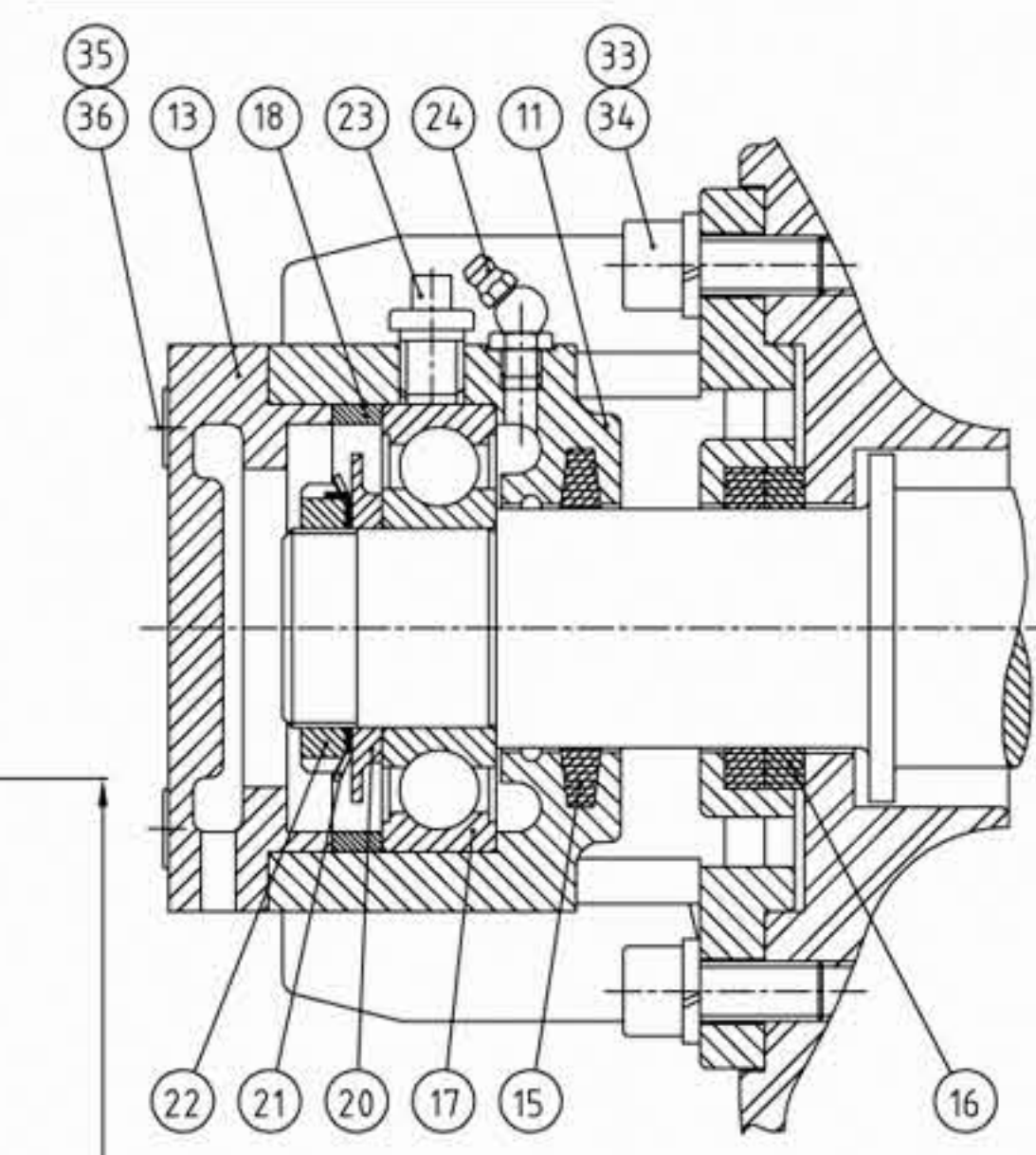


INLET BEARING HOUSING DETAIL



NOTES: - DIMENSIONS IN PARENTHESIS ARE IN INCHES.
 - RECOMMENDED TIE ROD TORQUE: 15 F.T. LBS.
 - USED GREASE SPECIFICATIONS: HP-ST 3
 EQUIVALENT: ESSO: BEACON 3
 ELF: ROLEXA 3
 TOTAL: MULTIS TIR
 SHELL: ALVANIA EP3
 MOBIL: MOBILUX EP3

REV	DATE	ED.N	BY	REVISIONS
0	10/09/1992	89200002	BD	ORIGINAL
1	26/03/2004		TF	CANCEL FLANGES AND VALVE

Chart II IMPELLER TYPE (ITEM 4)			
QTY.	PART NO.	IMPELLER TYPE	DWG.
	S.4308	N°2201	20-07
	S.4304	N°2211	20-04

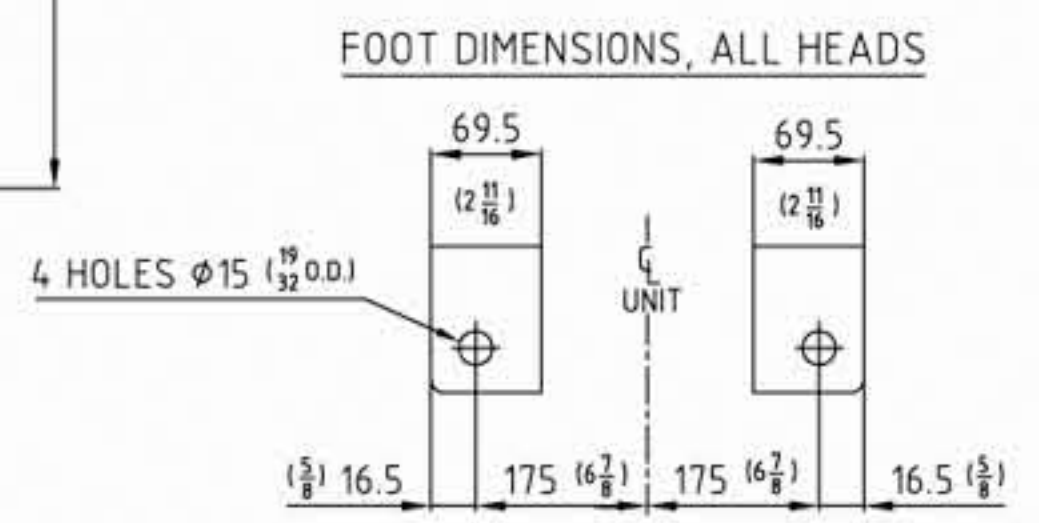
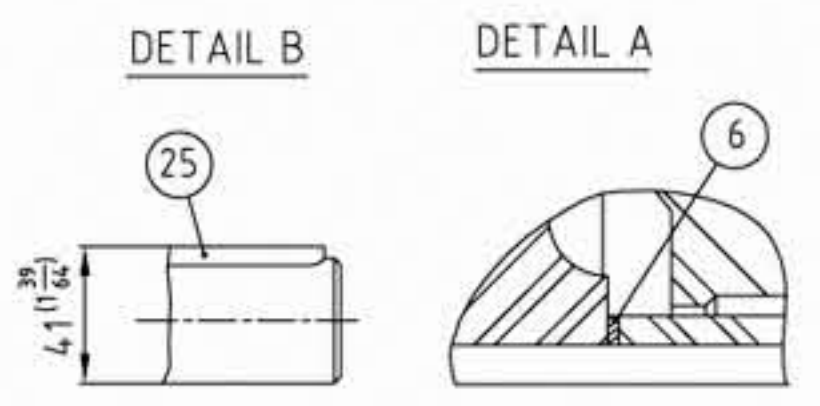
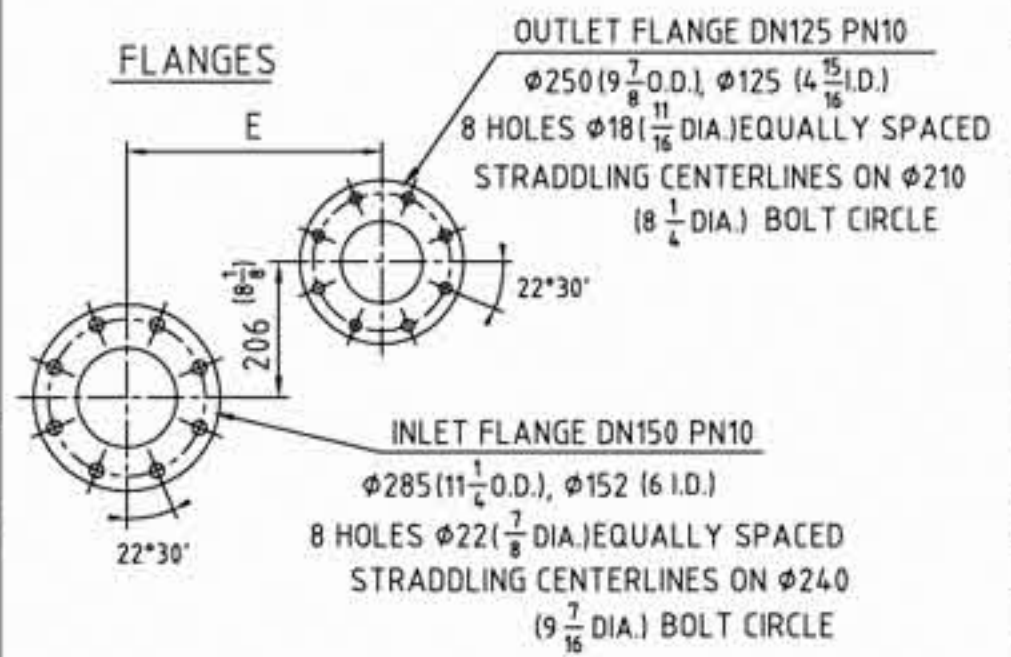
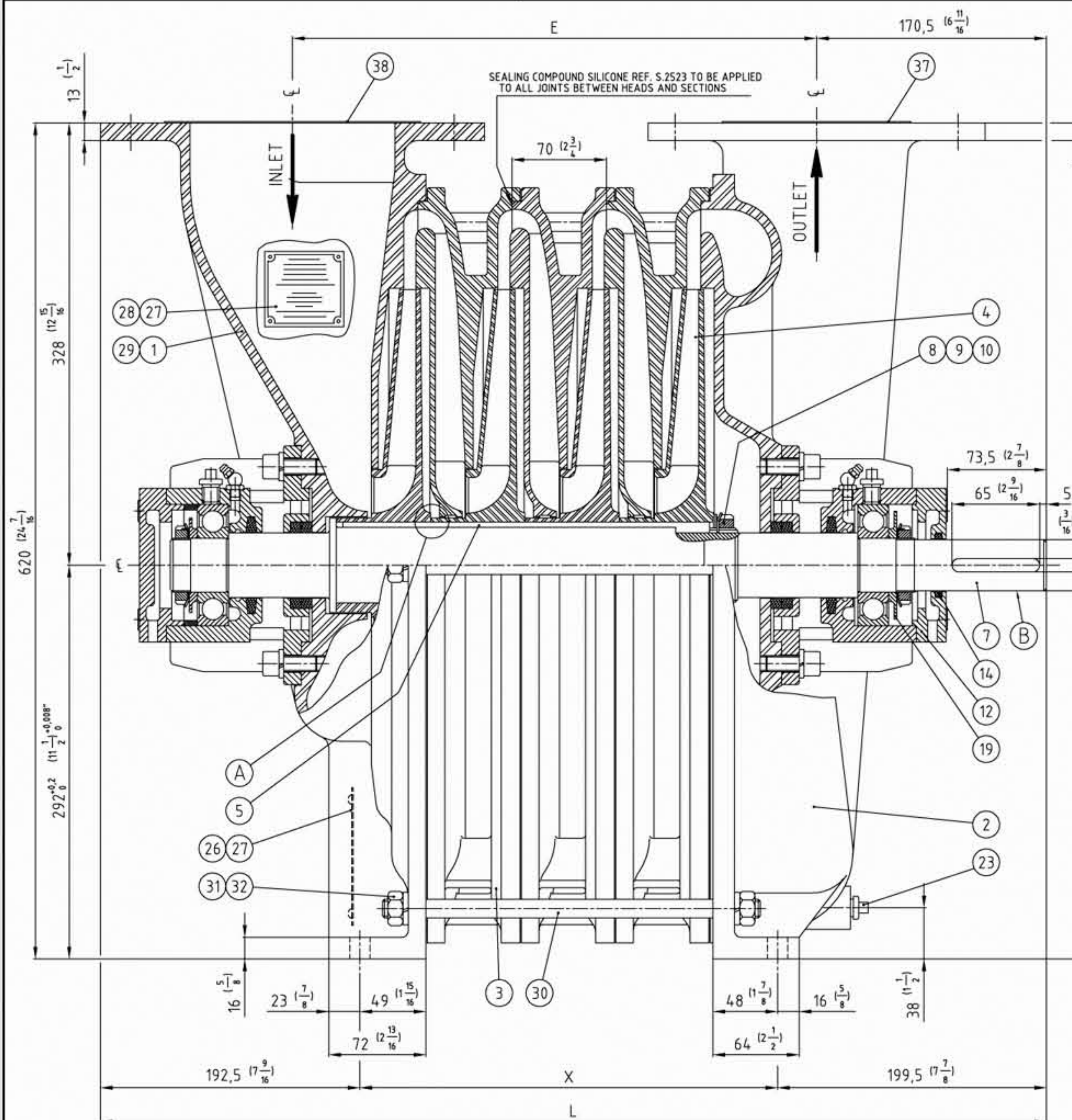


Chart I	TYPE	020.01	020.02	020.03	020.04	020.05	020.06	020.07	020.08	020.09	020.10
PART NO. ITEM 5		S.0464	S.0465	S.0466	S.0467	S.0468	S.0469	S.0470	S.0471	S.0472	S.0473
PART NO. ITEM 7		S.0421	S.0423	S.0425	S.0427	S.0429	S.0431	S.0433	S.0435	S.0437	S.0439
WEIGHT-kg, ITEM 7		5,9	7,3	8,6	10	11,3	12,7	14	15,4	16,8	18,1
PART NO. ITEM 30		H M14-050 (5) H M14-043 (5)	S.0444	S.0445	S.0446	S.0447	S.0448	S.0449	S.0450	S.0451	S.0452
QTY. ITEM 3		0	1	2	3	4	5	6	7	8	9
ITEM 4		1	2	3	4	5	6	7	8	9	10
ITEM 32		5	11	11	11	11	11	11	11	11	11
DIMENSION E		179 (7 1/4)	249 (9 3/4)	319 (12 1/2)	389 (15 3/4)	459 (18 1/4)	529 (20 7/8)	599 (23 3/4)	669 (26 3/8)	739 (29 1/2)	809 (31 7/8)
DIMENSION X		100 (3 9/16)	170 (6 3/8)	240 (9 3/4)	310 (12 1/4)	380 (14 7/8)	450 (17 3/4)	520 (20 1/2)	590 (23 1/4)	660 (26 1/8)	730 (28 3/4)
DIMENSION L		492 (19 3/8)	562 (22 1/8)	632 (24 7/8)	702 (27 3/8)	772 (30 3/8)	842 (33 1/4)	912 (35 7/8)	982 (38 3/4)	1052 (41 1/4)	1122 (44 1/4)
WEIGHT: kg		61	81	101	121	141	161	181	201	221	241
WEIGHT: LBS		134	179	223	267	311	355	399	443	487	531

38	1	S.0624	COVER, PORT / DN150	050	C.STEEL
37	1	S.4310	COVER, PORT / DN125	050	C.STEEL
36	8	W10	WASHER LOCK, W10		
35	8	CHC M10-025	SCREW, CHC M10-25		
34	8	W12	WASHER LOCK, W12		
33	8	CHC M12-030	SCREW, CHC M12-30		
32	See chart I	H M14	NUT, H14		
31	11	W14	WASHER LOCK, W14		
30	6	See chart I	TIE ROD	010	C.STEEL
29	1	S.1802	VALVE WARNING PLATE	008	
28	1	S.1801	SURGE WARNING PLATE	092	ALUMINIUM
27	8	CT02.89-008	RIVET, φ2.89-8		
26	1	S.0216	NAME PLATE	284	ALUMINIUM
25	1	S.0408	KEY, COUPLING 10x8x65	003	C.STEEL
24	2	S.0218	CRANKED LUBRICATOR		
23	3	S.0200	PLUG, PIPE 1/4 GAS		
22	2	S.0413	NUT, KM8		
21	2	S.0412	WASHER, MB8		
20	1	S.0463	GREASE, SLINGER φ70 INLET SIDE	10-11	C.STEEL
19	1	S.0407	GREASE, SLINGER φ80 OUTLET SIDE	10-11	C.STEEL
18	1	S.0460	SPACER, BEARING	10-40	C.STEEL
17	2	S.0409	BEARING, BALL 6308 C3		0,63
16	4	S.0454	GRAPHIT RING		
15	2	S.0415	FELT JOINT 48x72x8	005	
14	1	S.0414	FELT JOINT 38x48x4	005	
13	1	S.0458	CAP, BEARING -OUTLET END	10-26	CAST IRON 1,2
12	1	S.0459	CAP, BEARING -INLET END	10-26	CAST IRON 0,8
11	2	S.0455	HOUSING, BEARING	10-24	CAST IRON 6,2
10	1	S.0411	NUT, KM11		
9	1	S.0410	WASHER, MB11		
8	2	S.4322	WASHER, SPRING		C.STEEL
7	1	See chart I	SHAFT	10-05	C.STEEL See chart I
6	Variable	S.0479	SHIM, IMPELLER	006	C.STEEL
5	1	See chart I	KEY, IMPELLER	003	C.STEEL
4	See chart I	See chart II	IMPELLER	See chart II	ALUMINIUM 3,4
3	See chart I	S.4303	SECTION, INTERMEDIATE	20-09	ALUMINIUM 13,2
2	1	S.4302	HEAD, OUTLET	20-02	ALUMINIUM 18
1	1	S.4301	HEAD, INLET	20-01	ALUMINIUM 16

ITEM	QTY.	PART NO.	DESCRIPTION	DWG.	MATERIAL	WEIGHT kg
CONTINENTAL INDUSTRIE S.A						
TYPE 020 OUTLET END DRIVE				ASSEMBLY: /		DATE: 10/09/1992
SECTIONAL DRAWING				SCALE: /		SIZE: A1
GRAPHIT RING SEAL				DWG No. /		REV. /
ORDER No.: DR: BD CHKD: DR				REVISIONS: 26/03/2004		20-RG1A 1

Le plan est notre propriété et ne peut être copié ou communiqué à des tiers sans notre autorisation