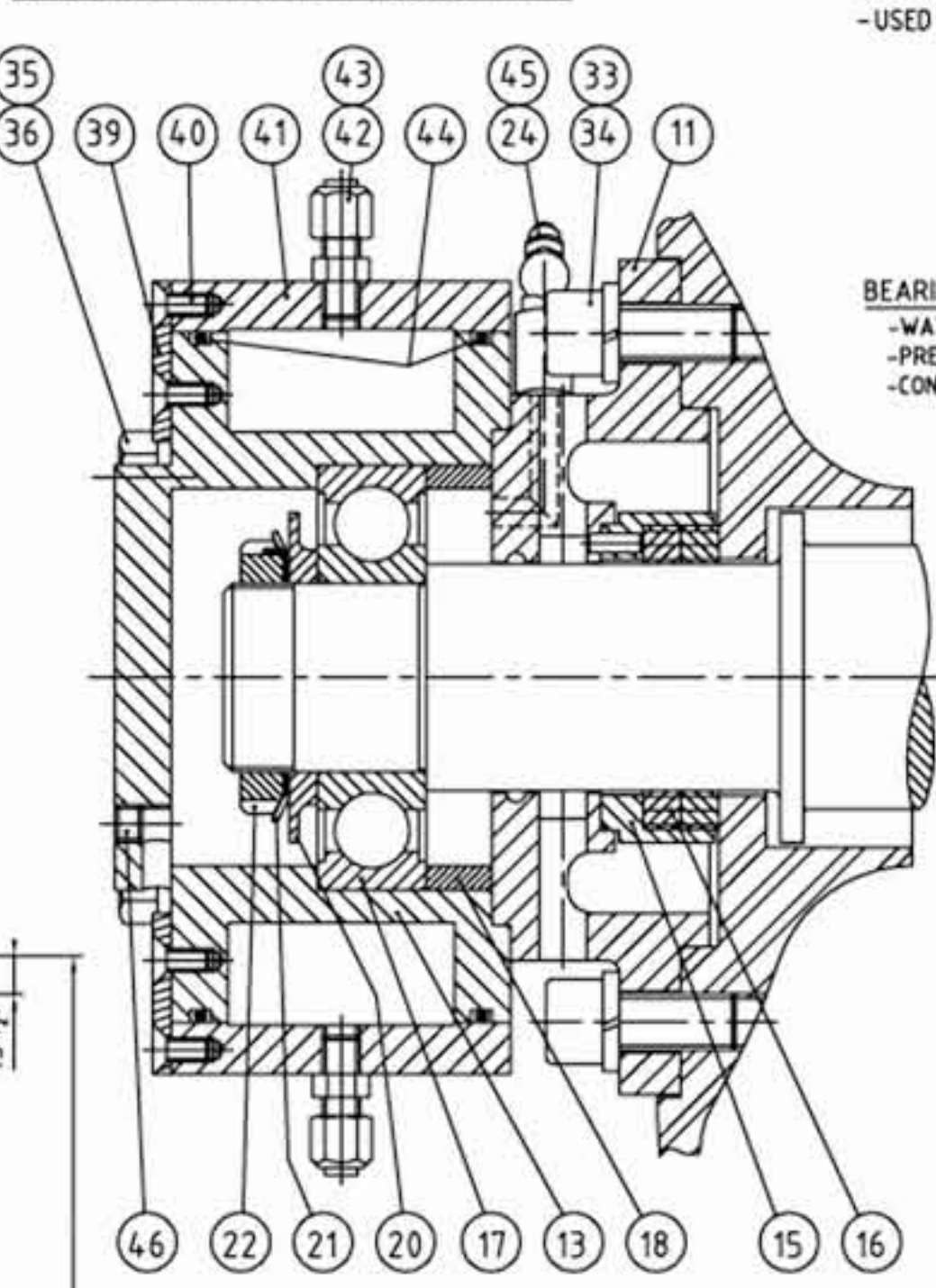


**INLET BEARING HOUSING DETAIL**



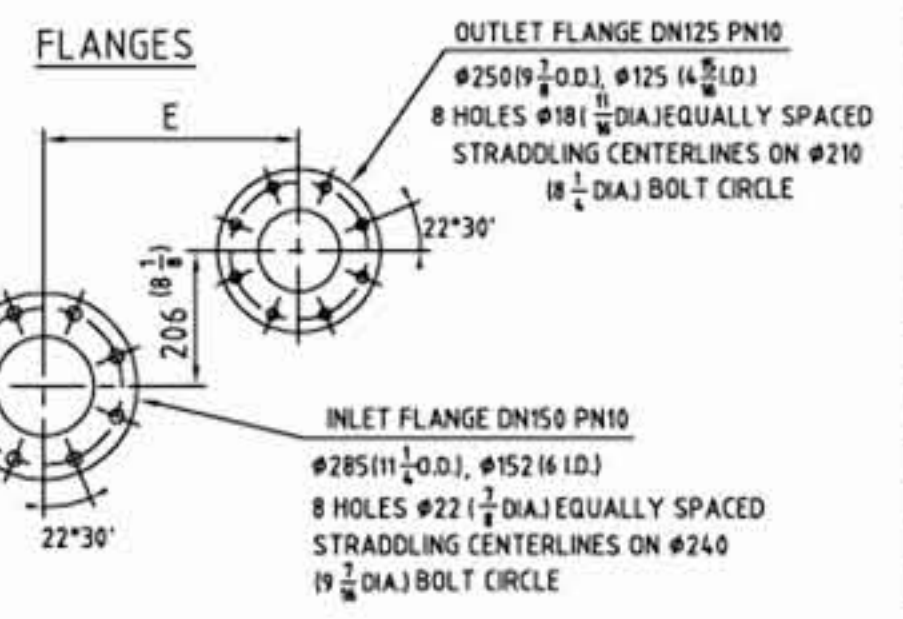
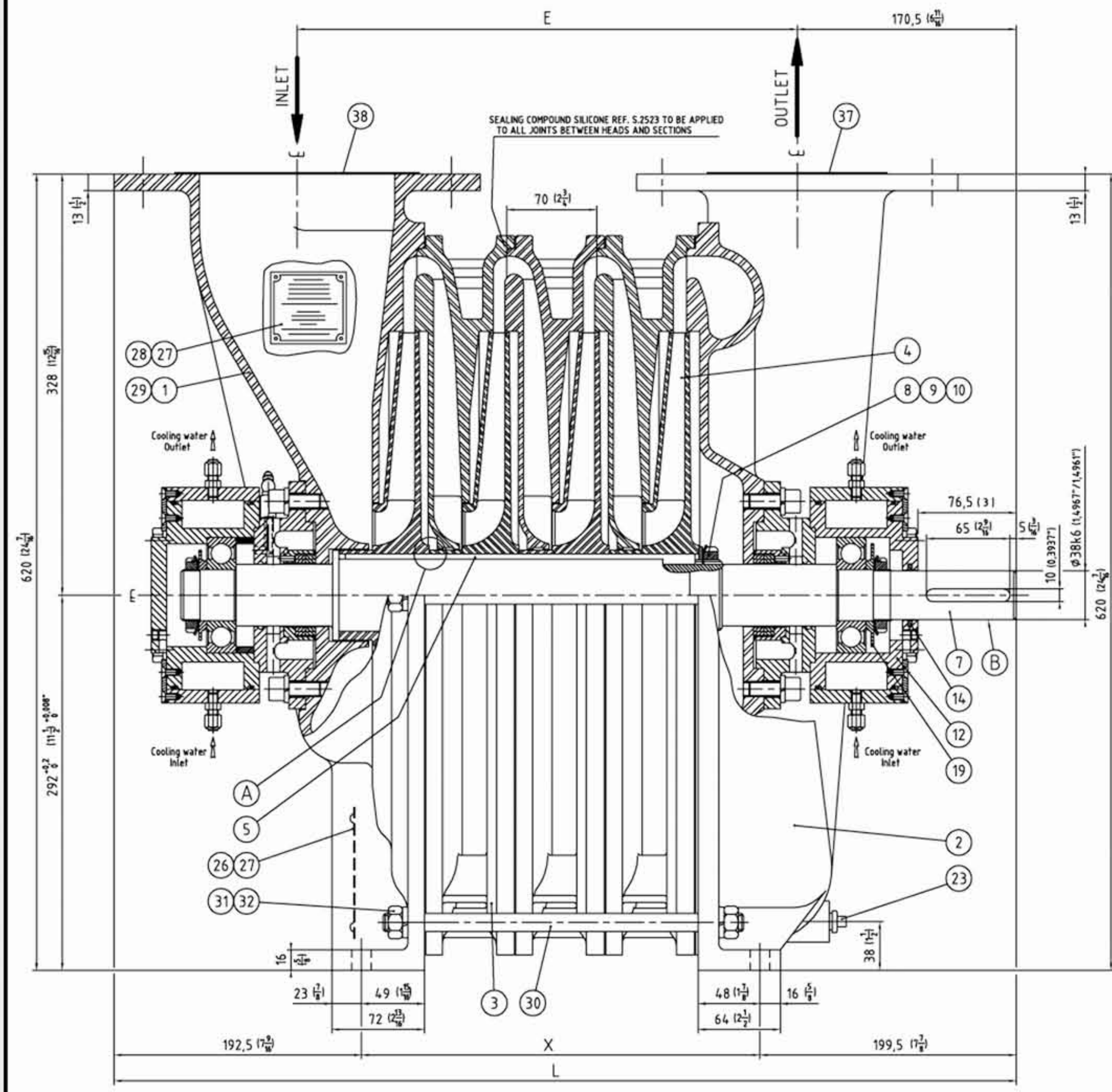
NOTES: - DIMENSIONS IN PARENTHESIS ARE IN INCHES.  
 - RECOMMENDED TIE ROD TORQUE: 15 F.T. LBS.  
 - USED GREASE SPECIFICATIONS: HP-ST 3 EQUIVALENT: ESSO: BEACON 3 ELF: ROLEXA 3 TOTAL: MULTIS TIR SHELL: ALVANIA EP3 MOBIL: MOBILUX EP3

**BEARINGS WATER COOLING**  
 - WATER FLOW : 3 l/min.  
 - PRESSURE : 1 to 3 bars maxi.  
 - CONNEXION : Female Ø6.

REV	DATE	ED.N	BY	REVISIONS
0	10/09/1992		BO	ORIGINAL
1	11/01/1994		TF	CANCEL FLANGES AND VALVE

Chart I		IMPELLER TYPE (ITEM 4)									
QTY.	PART NO.	IMPELLER TYPE	DWG.								
	S.4308	N°2201	20-07								
	S.4304	N°2211	20-04								



**FOOT DIMENSIONS, ALL HEADS**

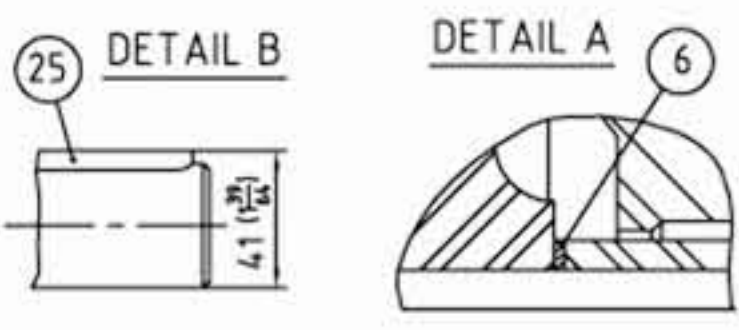
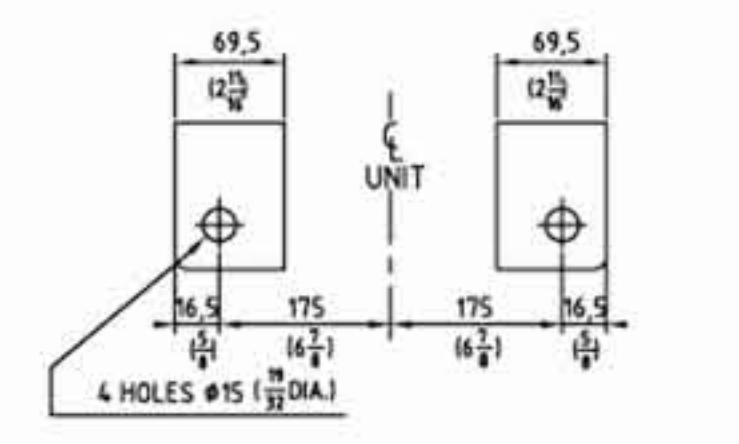


Chart I	TYPE	020.01	020.02	020.03	020.04	020.05	020.06	020.07	020.08	020.09	020.10
PART NO. ITEM 5	S.0464	S.0465	S.0466	S.0467	S.0468	S.0469	S.0470	S.0471	S.0472	S.0473	
PART NO. ITEM 7	S.0421	S.0423	S.0425	S.0427	S.0429	S.0431	S.0433	S.0435	S.0437	S.0439	
WEIGHT, kg, ITEM 7	5,9	7,3	8,6	10	11,3	12,7	14	15,4	16,8	18,1	
PART NO. ITEM 30	H M14-050	H M14-120	S.0445	S.0446	S.0447	S.0448	S.0449	S.0450	S.0451	S.0452	
QTY.	ITEM 3	0	1	2	3	4	5	6	7	8	9
	ITEM 4	1	2	3	4	5	6	7	8	9	10
	ITEM 32	5	5	11	11	11	11	11	11	11	11
DIMENSION E	179 (7 1/8)	249 (9 3/4)	319 (12 1/2)	389 (15 3/4)	459 (18 1/8)	529 (20 7/8)	599 (23 1/2)	669 (26 3/8)	739 (29 1/4)	809 (31 7/8)	
DIMENSION X	100 (3 9/16)	170 (6 5/8)	240 (9 3/4)	310 (12 1/4)	380 (15 1/4)	450 (17 3/4)	520 (20 5/8)	590 (23 1/4)	660 (26 1/8)	730 (28 3/4)	
DIMENSION L	492 (19 3/4)	562 (22 1/4)	632 (24 7/8)	702 (27 5/8)	772 (30 3/8)	842 (33 1/4)	912 (35 7/8)	982 (38 5/8)	1052 (41 3/4)	1122 (44 1/4)	
WEIGHT : kg	61	81	101	121	141	161	181	201	221	241	
WEIGHT : LBS	134	179	223	267	311	355	399	443	487	531	

46	2	AHC M08-006	SCREW, STHC M8-6								
45	2	S.4346	SPACER, GREASER								
44	4	S.2563	O-RING Ø139,29x3,53							VITON	
43	4	S.2615	PLUG, ADAPTER 1/8-6								
42	4	S.2614	RIGHT ADAPTER 1/8-6								
41	2	S.0536	WATER BOX							C.STEEL	2,9
40	8	FHC M05-012	SCREW, FHC M5-12								
39	4	S.0537	FIXATION PLATE, WATER BOX							C.STEEL	
38	1	S.0624	COVER, PORT / DN150					050		C.STEEL	
37	1	S.0417	COVER, PORT / DN125					050		C.STEEL	
36	8	W10	WASHER LOCK, W10								
35	8	CHC M10-090	SCREW, CHC M10-90								
34	8	W12	WASHER LOCK, W12								
33	8	CHC M12-030	SCREW, CHC M12-30								
32	See chart I	H M14	NUT, H14								
31	11	W14	WASHER LOCK, W14								
30	6	See chart I	TIE ROD					010		C.STEEL	
29	1	S.1802	VALVE WARNING PLATE					008			
28	1	S.1801	SURGE WARNING PLATE					092		ALUMINIUM	
27	8	CT02.89-008	RIVET, Ø2,89-8								
26	1	S.0216	NAME PLATE					284		ALUMINIUM	
25	1	S.0408	KEY, COUPLING 10x8x65					003		C.STEEL	
24	2	S.0218	GREASER M8								
23	1	S.0200	PLUG, PIPE 1/4 GAS								
22	2	S.0413	NUT, KM8								
21	2	S.0412	WASHER, M8B								
20	1	S.0463	GREASE, SLINGER Ø70 INLET SIDE					10-11		C.STEEL	
19	1	S.0407	GREASE, SLINGER Ø80 OUTLET SIDE					10-11		C.STEEL	
18	1	S.0406	SPACER, BEARING					10-10		C.STEEL	
17	2	S.0409	BEARING, BALL 6308 C3								0,63
16	4	S.0454	GRAPHIT RING								
15	2	S.0453	RETAINER, GRAPHIT RING					10-18		ALUMINIUM	
14	1	S.0414	FELT JOINT 38x48x4					005			
13	1	S.0533	WATER HOUSING, BEARING - INLET END					10-51		CAST IRON	4,2
12	1	S.0532	WATER HOUSING, BEARING - OUTLET END					10-51		CAST IRON	3,8
11	2	S.4344	HOUSING, BEARING SUPPORT					10-09		CAST IRON	3,2
10	1	S.0411	NUT, KM11								
9	1	S.0410	WASHER, MB11								
8	2	S.4322	WASHER, SPRING							C.STEEL	
7	1	See chart I	SHAFT					10-05		C.STEEL	See chart I
6	Variable	S.0479	SHIM, IMPELLER					006		C.STEEL	
5	1	See chart I	KEY, IMPELLER					003		C.STEEL	
4	See chart I	See chart II	IMPELLER					See chart I		ALUMINIUM	3,4
3	See chart I	S.4303	SECTION, INTERMEDIATE					20-09		ALUMINIUM	13,2
2	1	S.4302	HEAD, OUTLET					20-02		ALUMINIUM	18
1	1	S.4301	HEAD, INLET					20-01		ALUMINIUM	16

CONTINENTAL INDUSTRIE S.A		TYPE 020 OUTLET END DRIVE		ASSEMBLY: /	
S <sup>3</sup> TRIVIER/MOIGNANS FRANCE		SECTIONAL DRAWING		DATE: 10/09/1992	
QUOTATION: /		GRAPHIT RING SEAL AND BEARINGS WATER COOLING		SCALE: /	
ORDER N°: /		DR: BO		CHKD. DR	
REVISIONS: /		DWG N°: /		REV. /	
Ce plan est notre propriété et ne peut être copié ou communiqué à des tiers sans notre autorisation.				20-RGW1A 1	