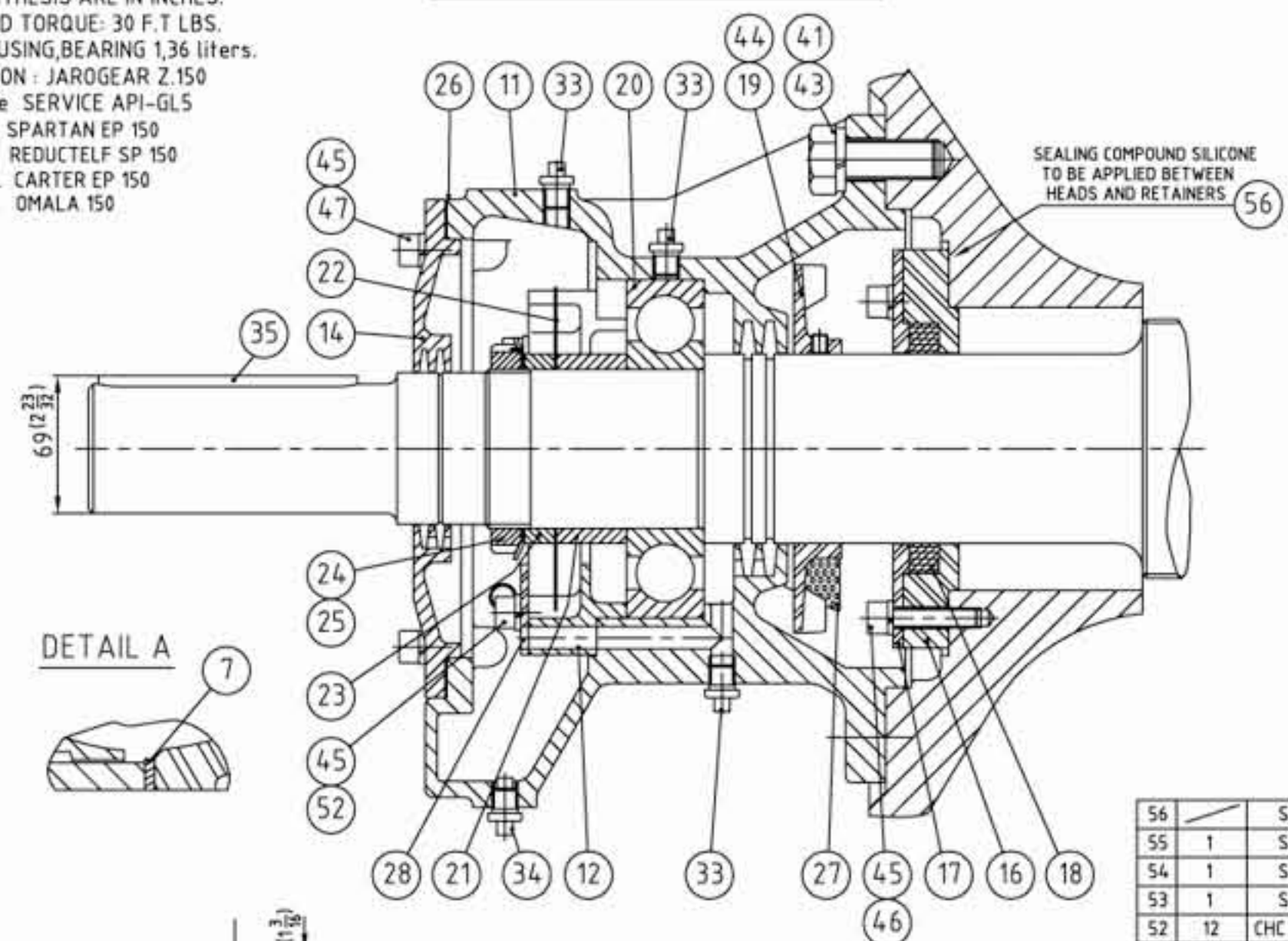


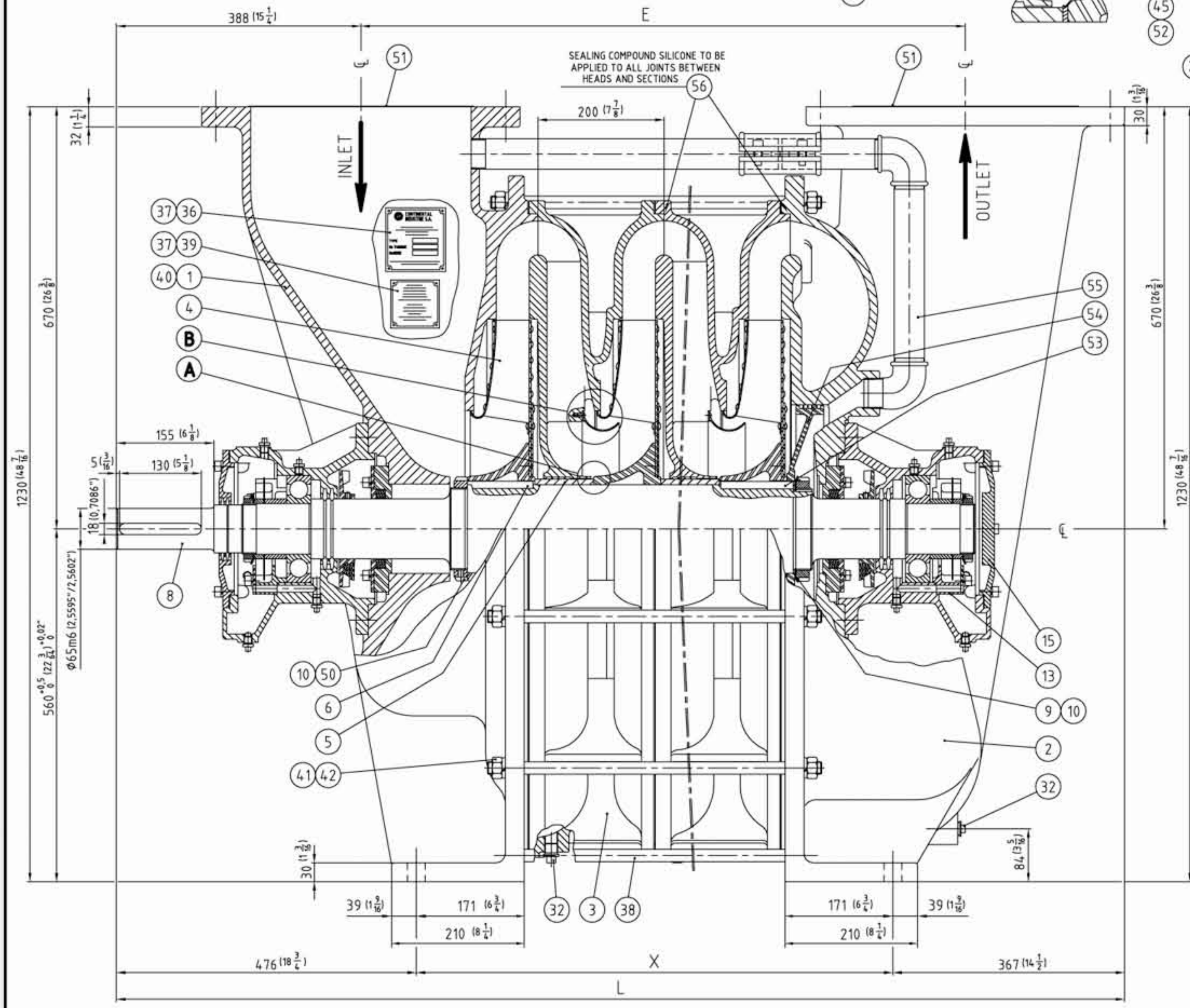
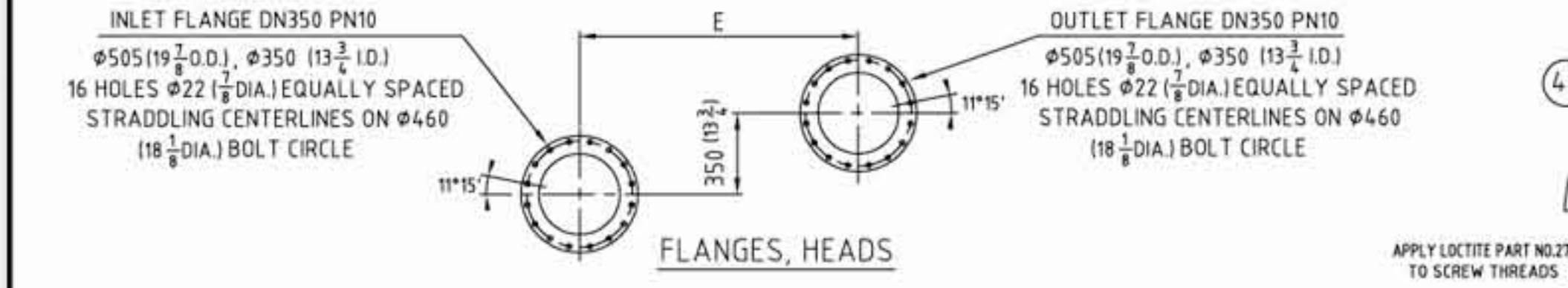
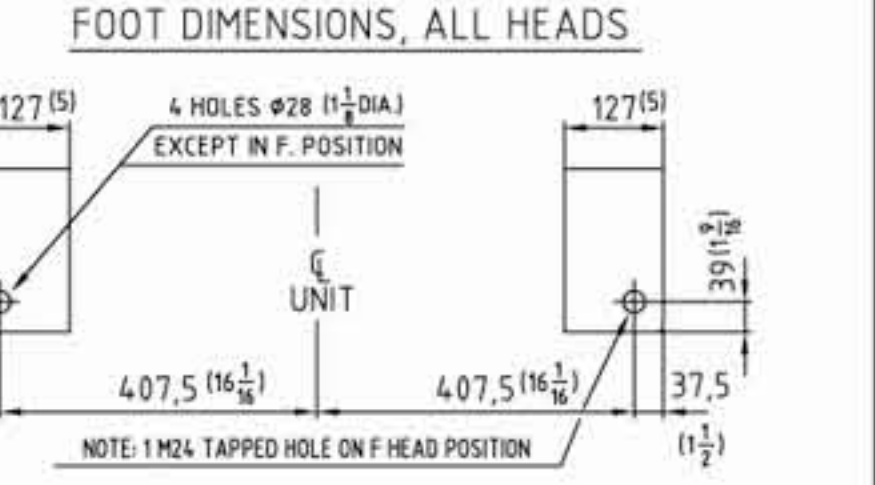
NOTES:
 -DIMENSIONS IN PARENTHESIS ARE IN INCHES.
 -RECOMMENDED TIE ROD TORQUE: 30 F.T LBS.
 -OIL QUANTITY BY HOUSING BEARING 1,36 liters.
 -USED OIL SPECIFICATION: JAROGEAR 2.150
 Extreme oil pressure SERVICE API-GL5
 EQUIVALENT: ESSO SPARTAN EP 150
 ELF REDUCTELF SP 150
 TOTAL CARTER EP 150
 SHELL OMALA 150

INLET BEARING HOUSING DETAIL



REV	DATE	E.O.N	BY	REVISIONS
0	17/09/2003		BD	ORIGINAL
1	14/04/2004		TF	CANCEL PLANES
2	03/02/2005		TF	MODIF RETAINER, GRAPHIT RING

Chart II IMPELLERS TYPE (ITEM 4)				
QTY.	PART NO.	IMPELLER TYPE	DWG	WEIGHT: kg
	S.5814	N°7301/7304	251-04	9,7
	S.5815	N°7302/7305	251-09	9,7
	S.5816	N°7303/7306	251-10	10,6
	S.5824	N°7311/7313	251-29	9,7
	S.5818	N°7312/7314	251-28	10



OILER POSITION

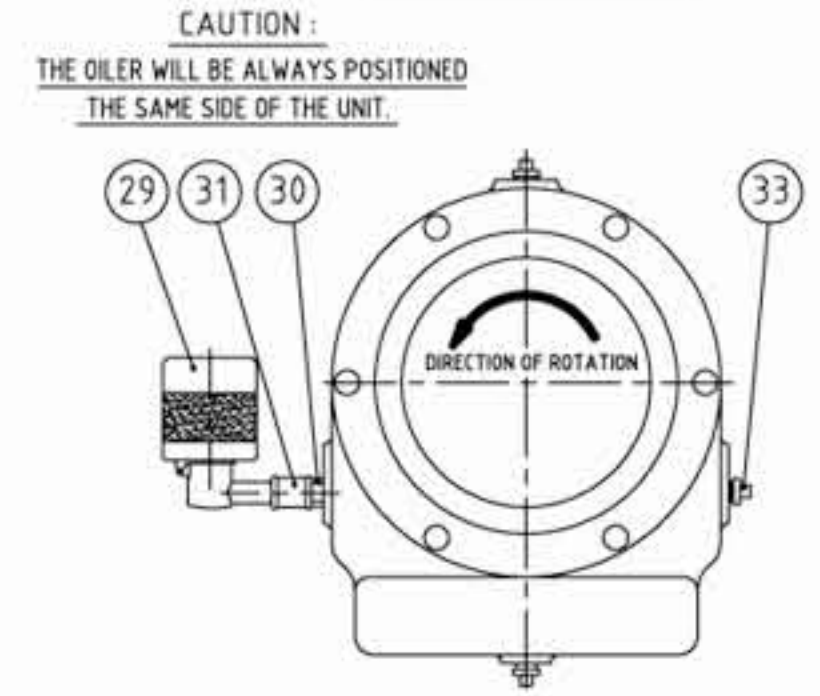


Chart I	TYPE	251.05	251.06	251.07	251.08
PART NO. ITEM 8	S.6015	S.6016	S.6017	S.6018	
WEIGHT: kg, ITEM 8	151	176	200	224	
PART NO. ITEM 38	S.1452	S.1453	S.6023	S.6024	
WEIGHT: kg, ITEM 38	2,3	2,8	3,3	3,7	
QTY.	ITEM 3	4	5	6	7
	ITEM 4	5	6	7	8
	ITEM 5	4	5	6	7
	ITEM 6	4	5	6	7
	ITEM 32	5	6	7	8
	ITEM 48	4	5	6	7
	ITEM 49	28	35	42	49
	DIMENSION E	1359 (53 1/2)	1559 (61 3/8)	1759 (69 1/4)	1959 (77 1/8)
	DIMENSION X	1156 (45 1/2)	1356 (53 3/8)	1556 (61 1/4)	1756 (69 1/8)
DIMENSION L	2000 (78 3/4)	2200 (86 3/8)	2400 (94 1/2)	2600 (102 3/8)	
WEIGHT: kg	2143	2443	2743	3043	
WEIGHT: LBS	4723	5384	6046	6707	

56	S.2523	SILICONE JOINT			
55	1	S.5826	BALANCING PIPE		C. STEEL
54	1	S.6010	BALANCING DRUM	400-10	CAST IRON 8,8
53	1	S.6009	KEY IMPELLER - DRUM BALANCING, 14x12x15	003	S.STEEL 0,15
52	12	CHC M10-050	SCREW, CHC M10-50		
51	2	S.1428	COVER, PORT / DN350	050	C.STEEL 1
50	1	AHC M08-16J	SCREW, AHC M8-16		S.STEEL
49	See chart I	GS M06-010J	SCREW, GS M6-10		S.STEEL
48	See chart I	S.5827	BAFFLE, INTERMEDIATE SECTION	251-65	S.STEEL 1
47	12	CHC M10-025	SCREW, CHC M10-25		
46	12	CHC M10-045	SCREW, CHC M10-45		
45	36	W10	WASHER LOCK, W10		
44	4	AHC M08-010.PL	SCREW, AHC M8-10.PL		
43	16	H M20-04.0	SCREW, H M20-40		0,16
42	24	H M20	NUT, H20		
41	40	W20	WASHER LOCK, W20		
40	1	S.1802	VALVE WARNING PLATE	008	
39	1	S.1801	SURGE WARNING PLATE	092	ALUMINIUM
38	12	See chart I	TIE ROD	010	C.STEEL See chart I
37	8	CT02.89-008	RIVET, Ø2,89-8		C.STEEL
36	1	S.0216	NAME PLATE	284	ALUMINIUM
35	1	S.6026	KEY, COUPLING 18x11x130	003	C.STEEL 0,2
34	2	S.2581	PLUG, 1/4 GAS MAGNETIC		
33	8	S.0200	PLUG, 1/4 GAS		
32	See chart I	S.1427	PLUG, 1/2 GAS		
31	2	S.2580	NIPPLE, FF 1/4 GAS		
30	2	S.2579	NIPPLE, MM 1/4 GAS		
29	2	S.1423	OILER 1/4 GAS		0,4
28	2	S.6037	CAP, OIL RESERVOIR	400-26	ALUMINIUM
27	4	S.6043	FAN GUARD, BEARING HOUSING	400-39	C.STEEL 0,1
26	2	S.1417	GASKET, BEARING CAP	250-16	
25	2	S.1422	NUT, KM16		0,4
24	2	S.1421	WASHER, MB16		
23	2	S.1411	SPACER, SHORT	250-14	C.STEEL
22	2	S.5833	OIL SLINGER	251-13	C.STEEL
21	2	S.1412	SPACER, LONG	250-14	C.STEEL
20	2	S.5807	BEARING, BALL 6316 C3		3,7
19	2	S.1410	FAN, COOLING	75-12	ALUMINIUM 0,3
18	2	S.1426	GRAPHIT RING		
17	2	S.1409	ADAPTER, GRAPHIT RING	250-12	ALUMINIUM 1
16	2	S.1408	RETAINER, GRAPHIT RING	250-12	ALUMINIUM 1,46
15	1	S.1404	CLOSED CAP, HOUSING BEARING	250-10	CAST IRON 4
14	1	S.1405	OPEN CAP, HOUSING BEARING	250-09	CAST IRON 3,2
13	1	S.6036	OIL RESERVOIR, OUTLET END	400-25	CAST IRON 1,8
12	1	S.6035	OIL RESERVOIR, INLET END	400-24	CAST IRON 2
11	2	S.5810	HOUSING, BEARING	400-07	CAST IRON 30
10	2	S.5830	NUT, KM26		0,9
9	1	S.5829	WASHER, MB26		
8	1	See chart I	SHAFT	400-11	C.STEEL See chart I
7	Variable	S.5808	SHIM, IMPELLER	006	C.STEEL
6	See chart I	S.6008	KEY, IMPELLER 14x12x104	003	C.STEEL 0,14
5	See chart I	S.5806	SPACER, IMPELLER	251-12	C.STEEL 3,15
4	See chart I	See chart II	IMPELLER	See chart II	ALUMINIUM See chart II
3	See chart I	S.5803	SECTION, INTERMEDIATE	251-03	CAST IRON 250
2	1	S.5802	HEAD, OUTLET	251-02	CAST IRON 4,15
1	1	S.5801	HEAD, INLET	251-01	CAST IRON 330

ORDER No.	DR: BD	CHKD. DR	DWG No.	REV
	15/04/2004	03/02/2005		

This drawing is our property and cannot be copied or communicated to third without our authorization.