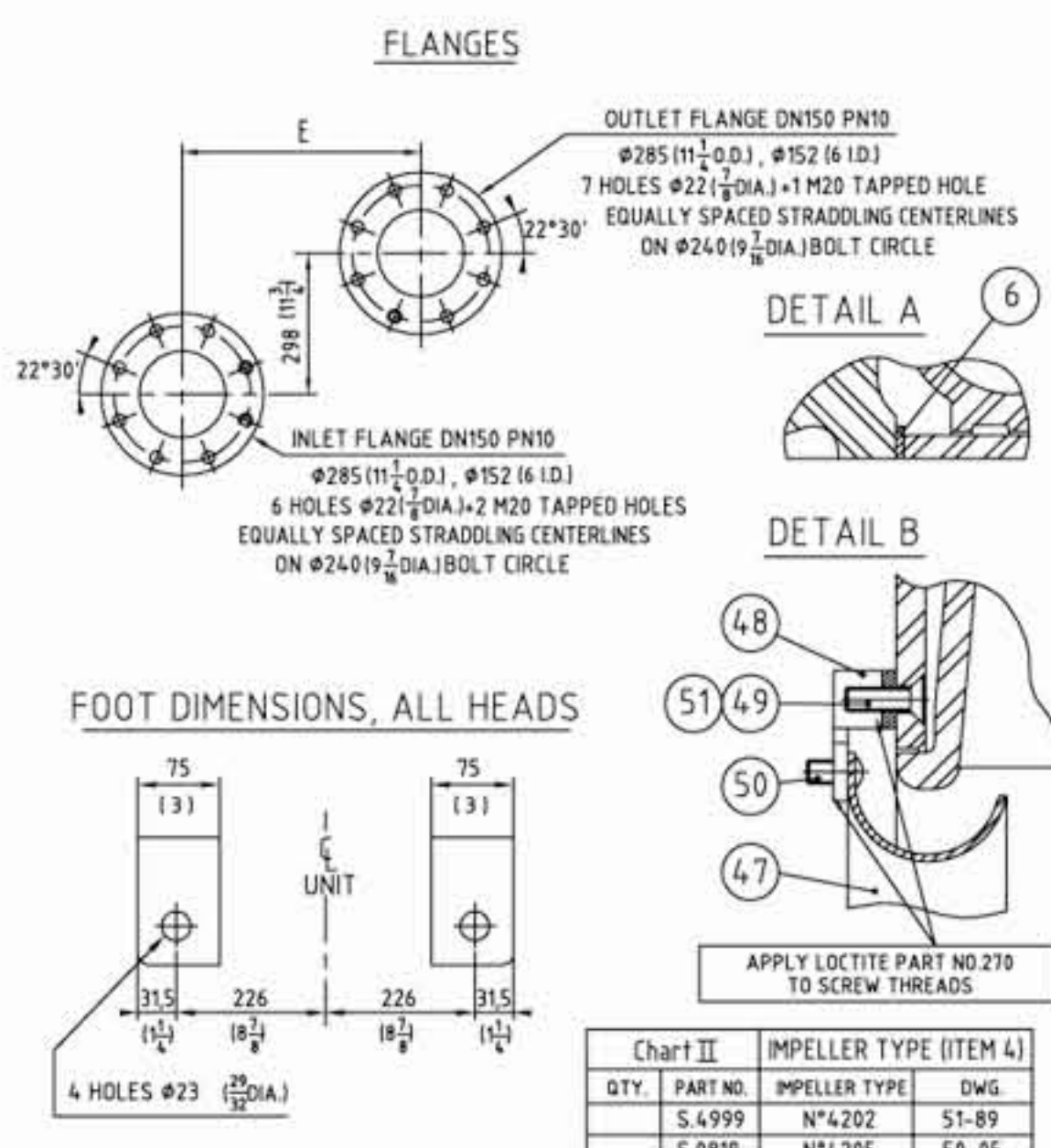
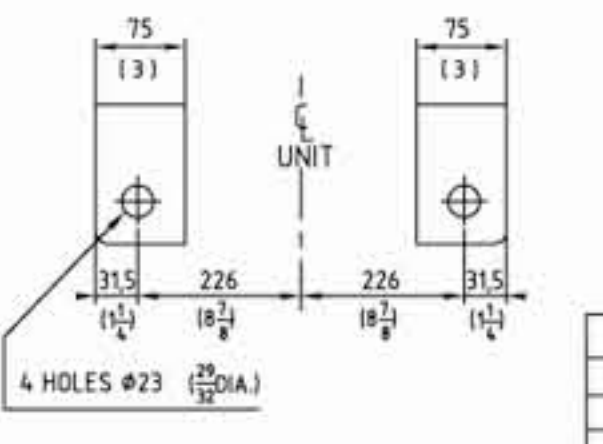


NOTE: - TYPE 051.08 RT: ROTATION SPEED < 3000 RPM.
 - FOR ROTATION SPEED > 3000 RPM, SEE DRAWING S1-AG2F et S1-AG3F.



FOOT DIMENSIONS, ALL HEADS



QTY.	PART NO.	IMPELLER TYPE (ITEM 4)	DWG.
	S.4999	N°4202	51-89
	S.0819	N°4205	50-05
	S.5022	N°4208	51-117
	S.4904	N°4212	51-02

Chart I	TYPE	051A.01	051A.02	051A.03	051A.04	051A.05	051A.06	051A.07	051A.08
PART NO. ITEM 5	S.0827	S.0828	S.0829	S.0830	S.0831	S.0832	S.0833	S.4910	
PART NO. ITEM 7	S.5024/1	S.5024/2	S.5024/3	S.5024/4	S.5024/5	S.5024/6	S.5024/7	S.5024/8	
WEIGHT/kg, ITEM 7	11.6	14.3	17.1	19.9	22.7	25.4	28.2	31	
PART NO. ITEM 34	S.1241	S.0645	S.1243	S.1247	S.0822	S.1248	S.1037	S.4911	
PART NO. ITEM 35	S.1241S	S.0645S	S.1243S	S.1247S	S.0822S	S.1248S	S.1037S	S.4911S	

ITEM	QTY.	PART NO.	DESCRIPTION	DWG.	MATERIAL	WEIGHT/kg		
ITEM 3	0	1	2	3	4	5	6	7
ITEM 4	1	2	3	4	5	6	7	8
ITEM 4.7	1	2	3	4	5	6	7	8
ITEM 4.8	4	8	12	16	20	24	28	32
ITEM 4.9	4	8	12	16	20	24	28	32
ITEM 50	4	8	12	16	20	24	28	32
DIMENSION	234.5 (9 1/4)	324.5 (12 3/4)	418.5 (16 1/2)	510.5 (20 1/4)	602.5 (23 3/4)	694.5 (27 3/4)	786.5 (31 1/4)	878.5 (34 1/4)
DIMENSION	137 (5 3/8)	229 (9 1/4)	321 (12 5/8)	413 (16 1/4)	505 (19 7/8)	597 (23 5/8)	689 (27 1/4)	781 (30 3/4)
DIMENSION	596 (23 5/8)	688 (27 1/4)	780 (30 3/4)	872 (34 3/8)	964 (37 7/8)	1056 (41 5/8)	1148 (45 1/4)	1240 (49 1/4)
WEIGHT: kg	233	274	316	357	398	439	480	521
WEIGHT: LBS	514	604	696	787	877	968	1058	1148

REV.	DATE	ED.N	BY	REVISIONS
8	04/12/2003		YF	ORIGINAL

REV.	DATE	ED.N	BY	REVISIONS	
54	6	AHC M04-08		SCREW, AHC 4-8	S STEEL
53	2	S.4921		SET COLLAR, V-RING	C STEEL
52	2	S.4922		V-RING	
51	Variable	M05.1		WASHER, M5	S STEEL
50	See chart I	GS M05-010		SCREW, GS M5-10	S STEEL
49	See chart I	FHC M05-016		SCREW, FHC M5-16	S STEEL
48	See chart I	S.0823		BRACKET, BAFFLE	50-20 S STEEL
47	See chart I	S.0826		BAFFLE	50-12 S STEEL
46	2	S.0624		COVER, PORT	050 C STEEL
45	12	CHC M8-040		SCREW, CHC M8-40	
44	12	W8		WASHER LOCK, W8	
43	12	CHC M12-035		SCREW, CHC M12-35	
42	12	W12		WASHER LOCK, W12	
41	6	FHC M05-030		SCREW FHC M5-30	
40	6	FHC M05-045		SCREW FHC M5-45	
39	14	H M20		NUT, H20	
38	14	W20		WASHER LOCK, W20	
37	1	S.1802		VALVE WARNING PLATE	008
36	1	S.1801		SURGE WARNING PLATE	092 ALUMINIUM
35	2	See chart I		TIE ROD (short)	010 C STEEL
34	6	See chart I		TIE ROD (long)	010 C STEEL
33	8	CT02.89-008		RIVET, Ø2.89-8	
32	1	S.0216		NAME PLATE	284 ALUMINIUM
31	1	S.0613		KEY, COUPLING 14x9x7.5	003 C STEEL
30	2	S.0621		GREASER, 1/4 GAS	
29	3	S.0200		PLUG, 1/4 GAS	
28	1	S.1012		PLUG, 3/8 GAS	
27	1	S.0623		FELT JOINT Ø63x46x6	
26	2	S.0620		NUT, KM10	
25	2	S.0619		WASHER, MB10	
24	2	S.0610		GREASE SLINGER	30-20 C STEEL
23	2	S.0611		SPACER, BEARING / HOUSING BEARING	30-18 C STEEL
22	2	S.0617		BEARING, BALL 6410 C3	1,95
21	2	S.0862		GRAPHIT RING	GRAPHIT
20	1	S.0856		ADAPTER, GRAPHIT RING	50-36 ALUMINIUM 0.1
19	1	S.0855		RETAINER, GRAPHIT RING	50-36 ALUMINIUM 0.36
18	2	S.0842		CARBON RING	50-29 CARBON
17	1	S.0841		ADAPTER, CARBON RING	51-03 ALUMINIUM 0.15
16	1	S.0840		RETAINER, CARBON RING	51-03 ALUMINIUM 0.43
15	1	S.4675		CAP, BEARING-OUTLET END	31-46 CAST IRON 1.9
14	1	S.4664		CAP, BEARING-INLET END	31-46 CAST IRON 1.67
13	2	S.4665		SPACER, BEARING/CAP	31-47 CAST IRON 1.7
12	1	S.4662		HOUSING, BEARING OUTLET SIDE	31-48 CAST IRON 10
11	1	S.4667		HOUSING, BEARING INLET SIDE	31-49 CAST IRON 10
10	1	S.1222		NUT, KM13	
9	1	S.1221		WASHER, MB13	
8	2	S.4611		WAVY SPRING	C STEEL
7	1	See chart I		SHAFT	51-120 C STEEL See chart I
6	Variable	S.0668		SHIM, IMPELLER	006 C STEEL
5	1	See chart I		KEY, IMPELLER	003 C STEEL
4	See chart I	See chart II		IMPELLER	See chart II ALUMINIUM 9
3	See chart I	S.4903		SECTION, INTERMEDIATE	51-01 ALUMINIUM 26
2	1	S.0602		HEAD, OUTLET	30-02 CAST IRON 80
1	1	S.0801		HEAD, INLET	50-01 CAST IRON 85

ITEM	QTY.	PART NO.	DESCRIPTION	DWG.	MATERIAL	WEIGHT/kg
CONTINENTAL INDUSTRIE S.A						
TYPE 051A INLET END DRIVE						
S ³ TRIVIER/MOIGNANS FRANCE						
SECTIONAL DRAWING BIO GAS SEAL						
QUOTATION:						SCALE: A1
ORDER No.:	DR: BD	CHKD. DR			DWG No.	REV.
REVISIONS:						51A-AB1A 0