

NOTES:--DIMENSIONS IN PARENTHESIS ARE IN INCHES.
 --RECOMMENDED TIE ROD TORQUE: 30 FT. LBS.
 --USED GREASE SPECIFICATIONS: HP-ST 3
 EQUIVALENT: ESSO: FIBRAX 200
 ELF: MULTI PL 3
 TOTAL: MULTISIR
 SHELL: ALVANIA GR
 UNIL: UNIL SR

REV	DATE	EDN	BY	REVISIONS
0	25/01/2000		DR	ORIGINAL

NOTE: * SEALING COMPOUND SILICONE REF. S. 2523 TO BE APPLIED TO ALL JOINTS BETWEEN OUTLET HEAD / HOUSING BEARING.
 * SEALING COMPOUND TEFLON AND LOCTITE ON GREASER AND PLUG 1/4 GAS, OUTLET SIDE.

NOTE: ROTATION SPEED \leq 3800 RPM.

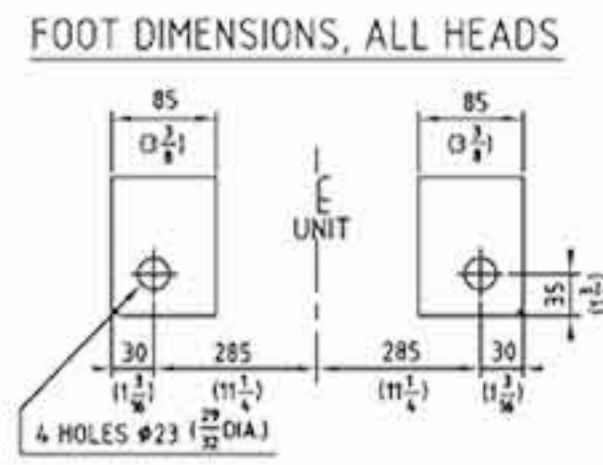
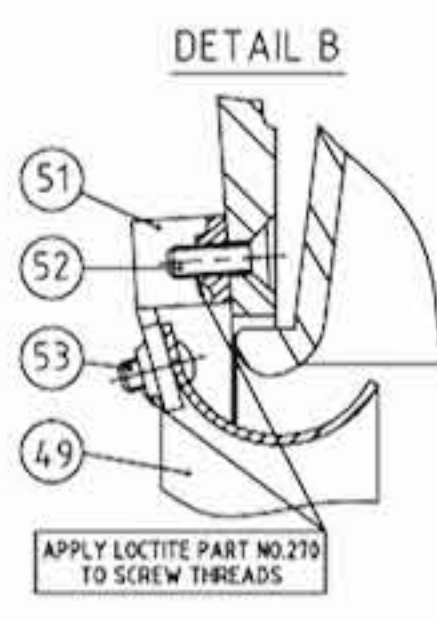
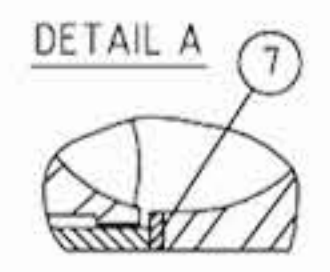
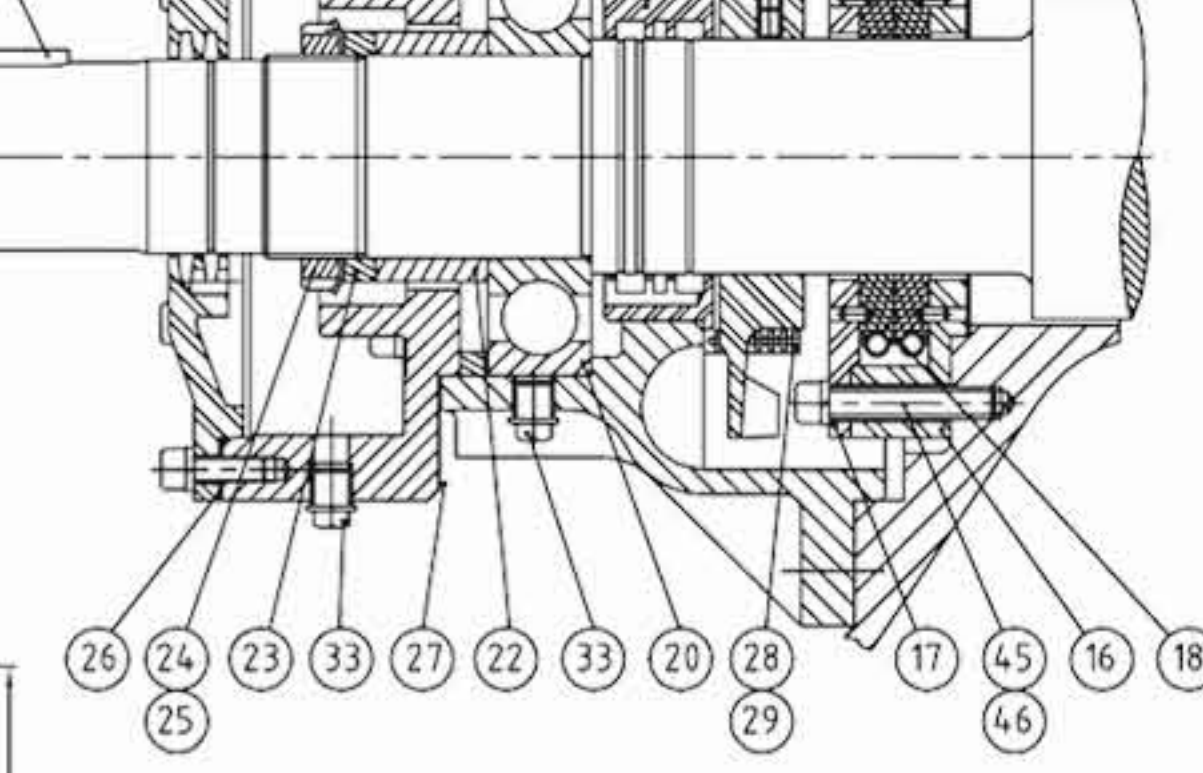
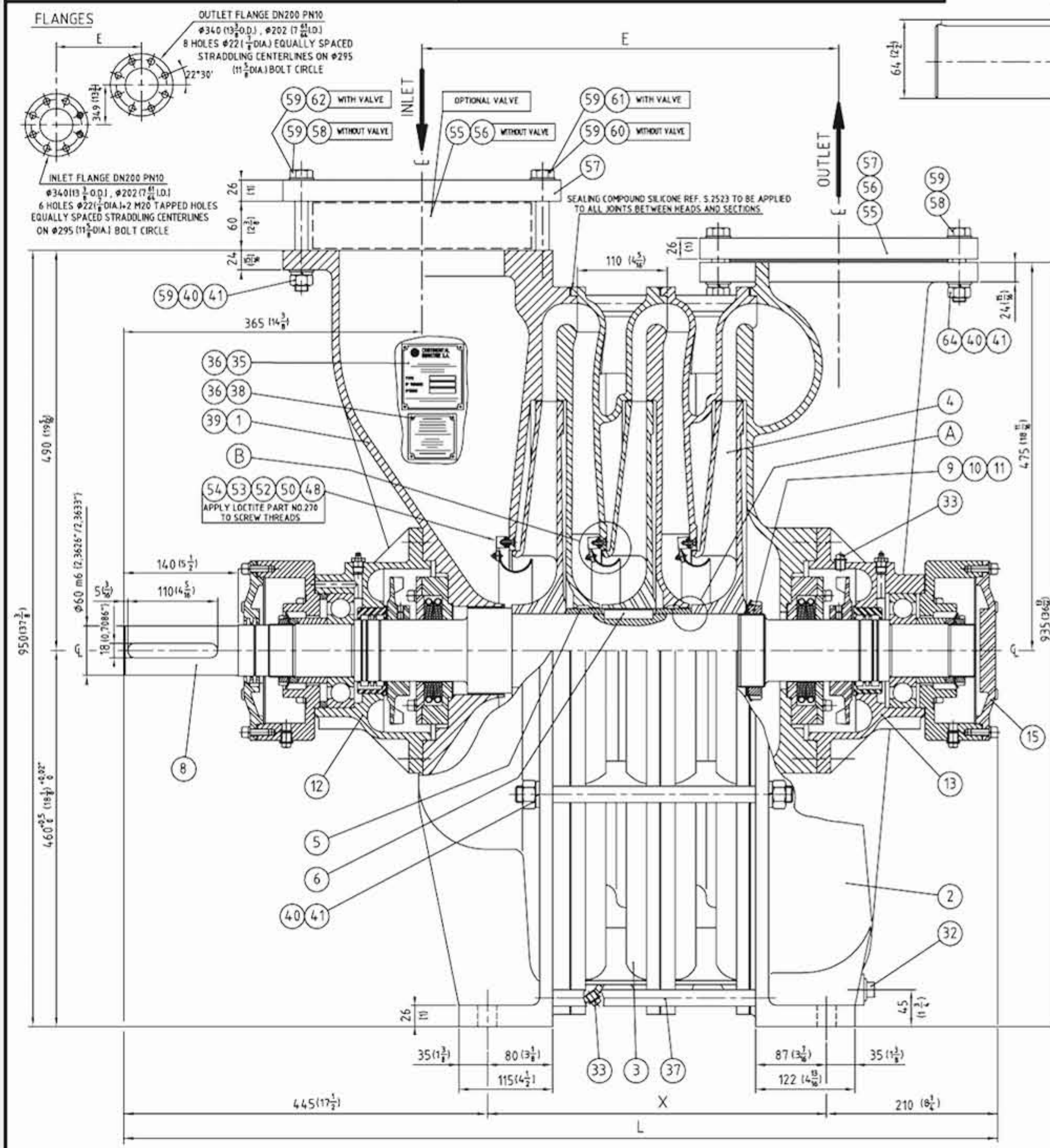


Chart I		TYPE										
PART NO.	ITEM 8	077.01	077.02	077.03	077.04	077.05	077.06	077.07	077.08	077.09	077.10	077.11
S.5235	S.5236	S.5237	S.5238	S.5239	S.5240	S.5241	S.5242	S.5243	S.5244	S.5245		
28,7	34,2	39,6	45,1	50,6	56	61,5	67	72,4	77,9	83,4		
Chart II		IMPELLER TYPE (ITEM 4)										
QTY.	PART NO.	IMPELLER TYPE	DWG.	WEIGHT kg								
	S.5204	N°5201	77-04	10								
	S.5207	N°5211	77-58	10								
	S.5205	N°5212	77-05	10								
	S.5206	N°5213	77-26	10								
	S.5208	N°5214	77-59	10								
	S.5209	N°5301	77-60	6								
	S.5282	N°5311	77-61	6								
	S.5283	N°5312	77-62	6								
	S.5284	N°5313	77-63	6								
	S.5285	N°5314	77-64	6								

63	1	S.1414	KEY, COUPLING	003	C.STEEL
62	See chart I	H M20-140	SCREW, H M20-140		
61	See chart I	H M20-120	SCREW, H M20-120		
60	See chart I	H M20-050	SCREW, H M20-50		
59	30	M20	WASHER, M20		
58	See chart I	H M20-080	SCREW, H M20-80		
57	2	S.1014	COMPANION FLANGE DN200 PN10		C.STEEL 10
56	See chart I	S.1015	GASKET, FLANGE	005	
55	See chart I	S.1013	COVER, PORT	050	C.STEEL
54	Variable	M05.1	WASHER, M5		S.STEEL
53	See chart I	GS M05-010	SCREW, GS M5-10		S.STEEL
52	See chart I	FHC M05-016	SCREW, FHC M5-16		S.STEEL
51	See chart I	S.5253	BRACKET, BAFFLE	77-22	S.STEEL
50	4	S.0823	BRACKET, BAFFLE	50-20	S.STEEL
49	See chart I	S.5252	BAFFLE, INTERMEDIATE SECTION	77-20	S.STEEL
48	1	S.1039	BAFFLE, INLET HEAD	77-42	S.STEEL
47	24	CHC M08-025	SCREW, CHC M8-25		
46	12	CHC M08-055	SCREW, CHC M8-55		
45	36	W08	WASHER LOCK, W8		
44	4	AHC M08-010 PL	SCREW, AHC M8-10, PL		
43	16	CHC M16-040	SCREW, CHC M16-40		
42	16	W16	WASHER LOCK, W16		
41	30	H M20	NUT, H20		
40	30	W20	WASHER LOCK, W20		
39	1	S.1802	VALVE WARNING PLATE	008	
38	1	S.1801	SURGE WARNING PLATE	092	ALUMINIUM
37	8	See chart I	TIE ROD	010	C.STEEL
36	8	CT02.89-008	RIVET, #2,89-8		
35	1	S.0216	NAME PLATE	284	ALUMINIUM
34	2	S.0621	GREASER, 1/4 GAS		
33	See chart I	S.0200	PLUG, 1/4 GAS		
32	1	S.1012	PLUG, 3/8 GAS		
31	2	S.5553	GREASE BOX	151-35	CAST IRON 9
30	2	S.1215	LABYRINTH, BEARING HOUSING	75-13	ALUMINIUM
29	1	S.1218	FAN GUARD, BEARING HOUSING	75-41	C.STEEL
28	1	S.1214	FAN GUARD, BEARING HOUSING	75-41	C.STEEL
27	2	S.1275	GASKET, GREASE BOX	150-47	
26	2	S.1216	GASKET, BEARING CAP	150-18	
25	2	S.1222	NUT, XM13		
24	2	S.1221	WASHER, MB13		
23	2	S.1211	SPACER, SHORT	75-17	C.STEEL
22	2	S.1212	SPACER, LONG	75-16	C.STEEL
21	1	S.1212	SPACER, BEARING	150-46	C.STEEL
20	2	S.1262	BEARING, BALL 6313 C3 THT		2,1
19	2	S.1210	FAN, COOLING	75-12	ALUMINIUM
18	4	S.1256	CARBON RING	150-39	CARBON
17	2	S.1255	ADAPTER, CARBON RING	77-55	ALUMINIUM
16	2	S.1254	RETAINER, CARBON RING	77-54	ALUMINIUM 1,7
15	1	S.1204	CAP, BEARING-OUTLET END	150-14	ALUMINIUM 1,3
14	1	S.1205	CAP, BEARING-INLET END	150-13	ALUMINIUM 1,1
13	1	S.5601	HOUSING, BEARING OUTLET SIDE	151-236	CAST IRON 13,5
12	1	S.1270	HOUSING, BEARING INLET SIDE	150-48	CAST IRON 13
11	1	S.5224	NUT, XM18		
10	1	S.5225	WASHER, MB18		
9	2	S.5226	WAVY SPRING	77-12	C.STEEL
8	1	See chart I	SHAFT	77-07	C.STEEL See chart I
7	Variable	S.5223	SHIM, IMPELLER	006	C.STEEL
6	See chart I	S.5233	KEY, IMPELLER 12x12x65	003	C.STEEL
5	See chart I	S.5222	SPACER, IMPELLER	77-08	C.STEEL
4	See chart I	See chart II	IMPELLER	See chart II	ALUMINIUM See chart II
3	See chart I	S.5251	SECTION, INTERMEDIATE	77-21	CAST IRON 100
2	1	S.5255	HEAD, OUTLET	77-02	CAST IRON 200
1	1	S.5254	HEAD, INLET	77-33	CAST IRON 183

CONTINENTAL INDUSTRIE S.A.		TYPE 077A (GREASE LUBRICATION) INLET END DRIVE		ASSEMBLY: /	
3 TRIVIER/BOIGNANS FRANCE		SECTIONAL DRAWING BIOGAS SEAL		DATE: 25/01/2000	
CUSTOMER: /		SCALE: A1		DWG No. /	
ORDER No.: /		DR: BD		CHKD. DR: /	
REVISIONS: /		REV: /		77-AB1A 0	