

# TECHNICAL DATA SHEET

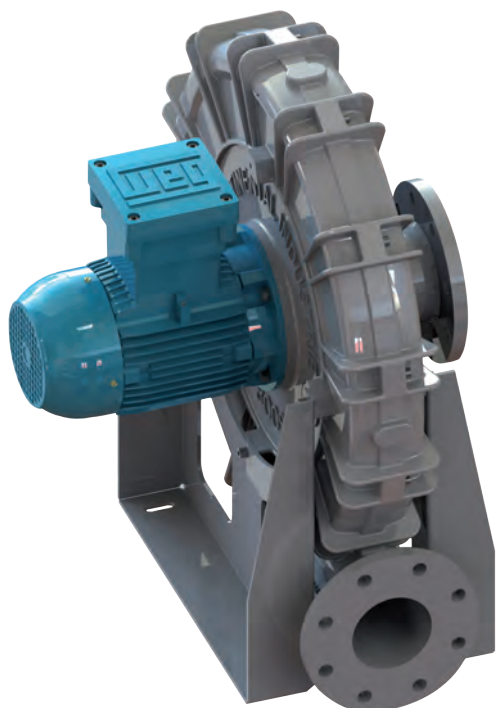
## GB100 DD SERIES GAS BOOSTER



Safety requirements for equipment in hazardous areas ask for special blowers. Continental Industrie offers ATEX blowers for EX-zones 1 and 2 for the landfill and biogas.

### MATERIALS OF CONSTRUCTION

**Bearing housings :** Cast iron EN-GJL-250  
**Head, Sections :** Cast aluminium EN AC-42000  
**Joint sealing compound :** RTVIS502 Silicone  
**Seals (gas) :** Lip seals + V-Ring  
**Bearings :** Ball bearings 6206 C3  
**Shaft :** Stainless steel 42CrMO4  
**Impellers :** Cast aluminium EN AC-43100  
**Motor pedestal :** Structural steel.  
**Base frame installation :** Antivibrations pads  
**Noise level :** In compliance with OSHA standards when machine is fully, piped (certified tests available).



### TECHNICAL DATA

**Number of stage :** 1  
**Inlet connection :** 4" (100 mm) flange, DN100, PN10  
**Outlet connection :** 4" (100 mm) flange, DN 100, PN 10  
**Operating speed :** 2950 rpm or 3550 rpm  
**Lubrication :** Automatic grease lubricator  
**Impeller diameter :** 20" (500 mm)  
**Impeller tip speed :** 494 ft/s (150 m/s)  
**First critical speed :** 11342 rpm  
**Drive :** Direct drive  
**Vibration tolerance :** 1.5 mils peak-to-peak (4,5 mm/s)  
**Shaft end :** 0.945" (24 mm)

ISO 9001  
BUREAU VERITAS  
Certification



**ATEX**

GASBOOSTER SIZE	P. motor (kW)	Weight (kg)	L (mm)
Gasbooster 100-01/001D	1,5	83	489
Gasbooster 100-01/002D	2,2	85	514



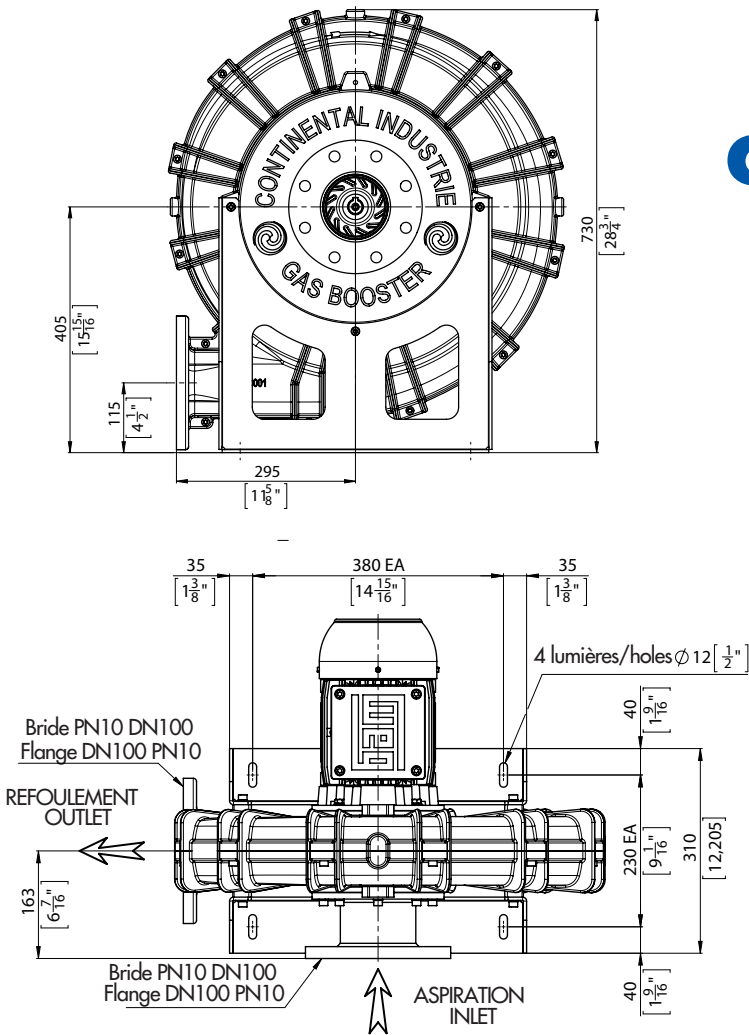
Values, dimensions and reference in this brochure are approximate and intended as a guide only, not for construction and are subject to change without notice.

CONTINENTAL INDUSTRIE SAS . GAS BOOSTER DIRECT DRIVE . REV 01/TDS GB100 DD.

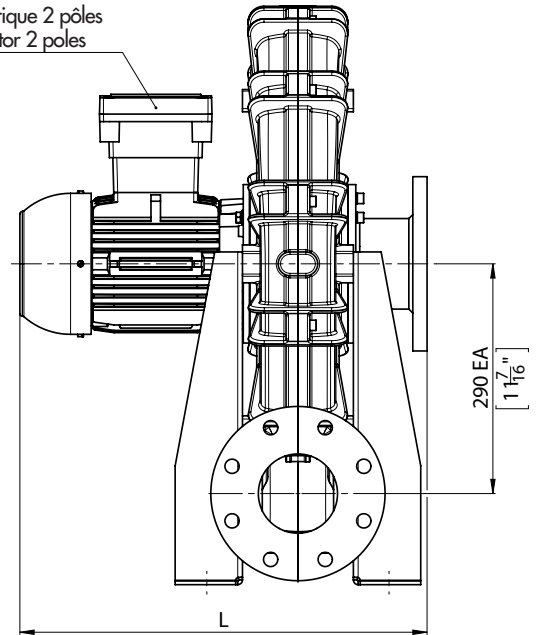


Rev 01/TDS GB100 DD

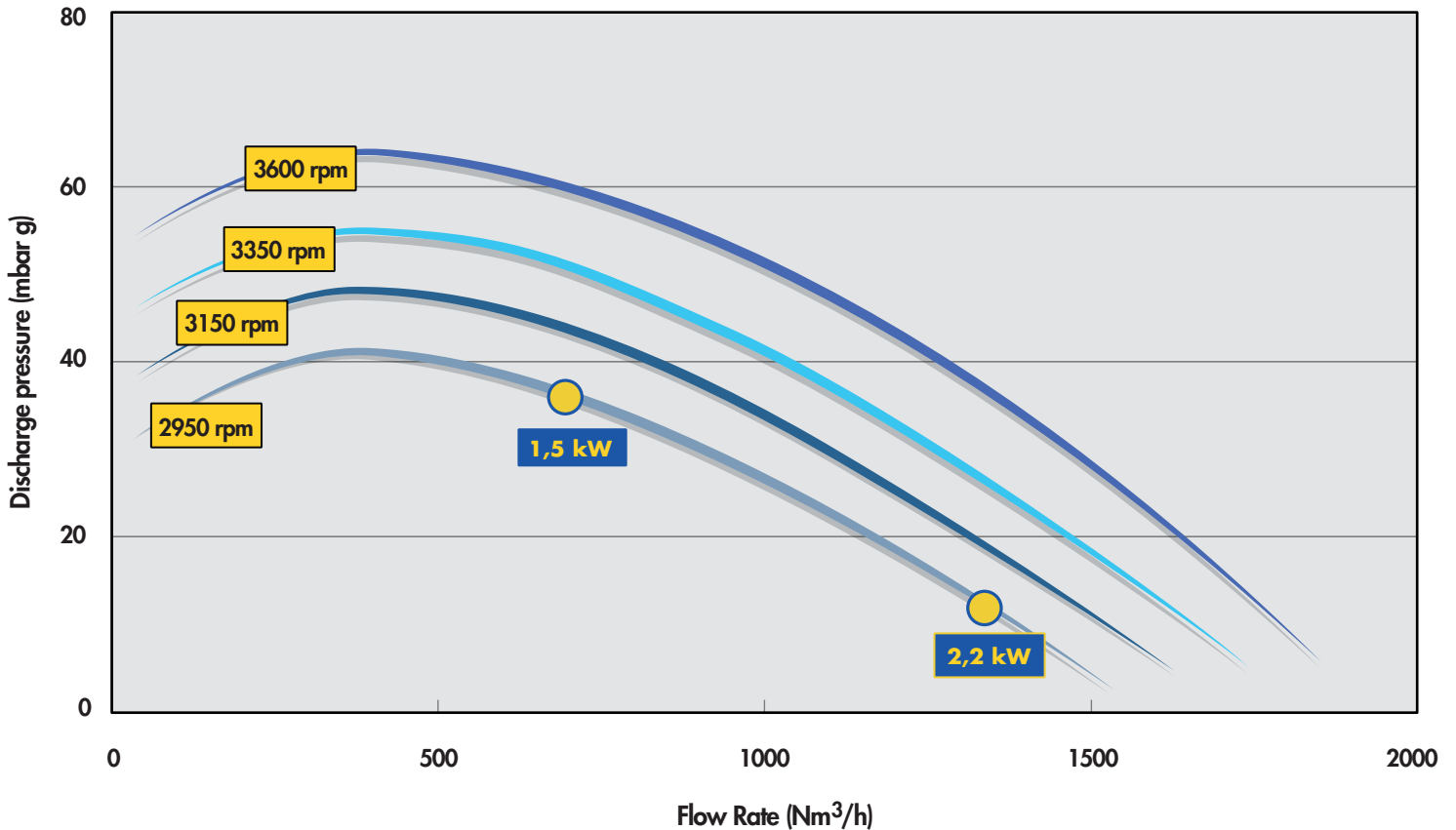
# GB100 DD SERIES GAS BOOSTER



Moteur électrique 2 pôles  
Electric motor 2 poles



GB100DD : Biogas pressure curve characteristic



Values, dimensions and reference in this brochure are approximate and intended as a guide only, not for construction and are subject to change without notice.

CONTINENTAL INDUSTRIE SAS . GAS BOOSTER DIRECT DRIVE . REV 01/TDS GB100 DD.



Rev 01/TDS GB100 DD