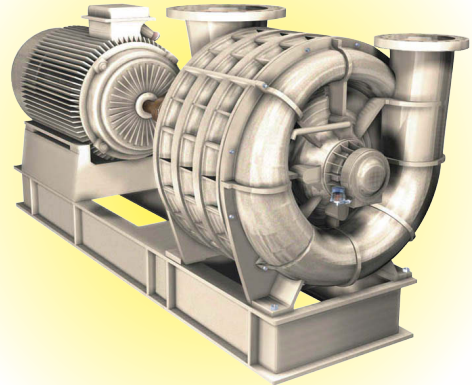


TECHNICAL DATA SHEET

TECHNICAL DATA

Number of stage : 1 thru 10 (cast)
Inlet connection : 4" (100 mm) flange, DN 100, PN 10
Outlet connection : 2.5" (65 mm) flange, DN 65, PN 10
Operating speed : 3600 rpm in direct drive (60Hz), 6400 with V-belt
Lubrication : Grease lubricated
Impeller diameter : 14" (355,6 mm)
Impeller tip speed : 217 f/s (66 m/s)
First critical speed : 5257 rpm (10-stage)
Drive : Direct drive or V-belts
Vibration tolerance : 1.34 mils peak-to-peak (4,5 mm/s RMS)
Shaft end : 0.87" (22 mm), inlet end drive standard.

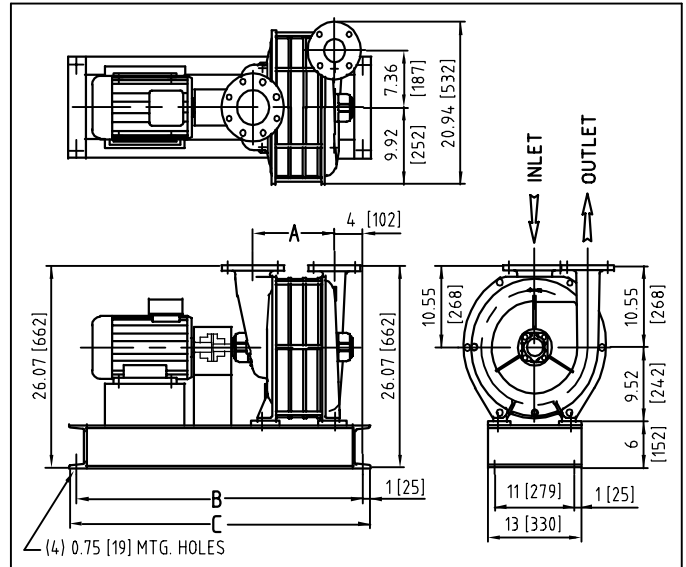
"08" SERIES



AIR & GAS

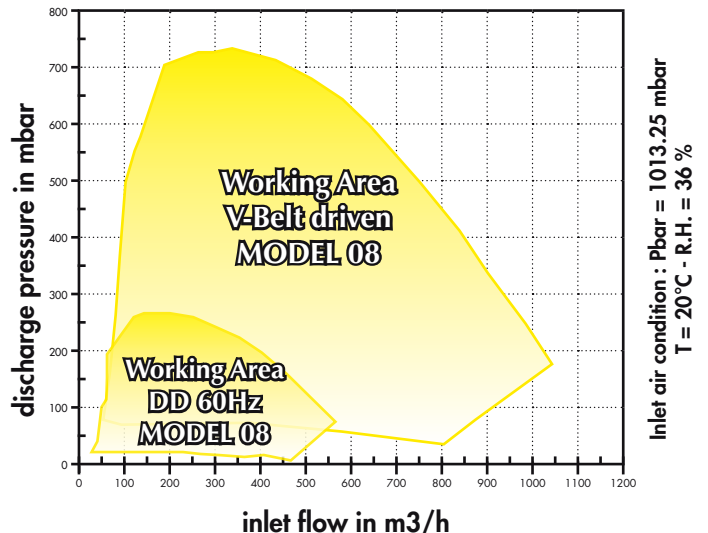
MATERIALS OF CONSTRUCTION

Bearing housings : Cast iron FGL 250
Head, Sections : Cast aluminium Al Si 7 Mg
Tie rods : 1/2" (12,7 mm) diameter cold drawn steel A60
Joint sealing compound : RTV IS502 Silicone
Seals (air) : Two graphit rings each end
Seals (gas) : Four carbon rings each end with inert gas injection
Bearings : Ball bearings 6305 C3 per AFBMA B10 STANDARD
Shaft : Carbon steel C35 (stainless steel available)
Impellers : Cast aluminium Al Si 10 Mg
Motor pedestal : Structural steel.
Base frame installation : Antivibrations pads



BLOWER SIZE	"A"	"B"	"C"	WEIGHT		Rotor moment of inertia kg.m ²
				LBS	Kg	
08.01	5.30 (132)	28 (711)	30 (762)	198	90	0.04
08.02	7.24 (184)	34 (863)	36 (914)	231	105	0.09
08.03	9.29 (236)	34 (863)	36 (914)	253	115	0.13
08.04	11.33 (288)	40 (1016)	42 (1067)	286	130	0.18
08.05	13.38 (340)	40 (1016)	42 (1067)	308	140	0.22
08.06	15.43 (392)	46 (1168)	48 (1219)	342	155	0.26
08.07	17.48 (444)	46 (1168)	48 (1219)	364	165	0.31
08.08	19.52 (496)	52 (1321)	54 (1371)	397	180	0.35
08.09	21.57 (548)	52 (1321)	54 (1371)	419	190	0.39
08.10	23.62 (600)	52 (1321)	54 (1371)	441	200	0.44

DIMENSIONS ARE IN INCHES AND (MM)
 ACTUAL DIMENSIONS MAY VARY SLIGHTLY TO SUIT APPLICATION



Values, dimensions and reference in this brochure are approximate and intended as a guide only, not for construction and are subject to change without notice.

CONTINENTAL INDUSTRIE SAS . CONTINENTAL INDUSTRIE SAS . CONTINENTAL INDUSTRIE SAS .

