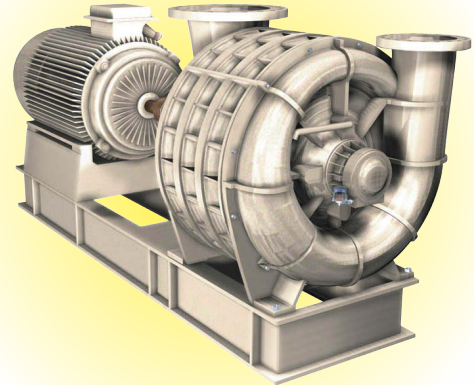


TECHNICAL DATA SHEET

TECHNICAL DATA

Number of stage : 1 thru 7 (cast) - 1 thru 8 (fabricated)
Inlet connection : 12" (305 mm) flange, PN 10 DN 300
Outlet connection : 12" (305 mm) flange, PN 10 DN 300
Operating speed : 3550 rpm in direct drive (60Hz)
Lubrication : Oil type with constant level
Impeller diameter : 25" (636 mm) thru 27" (686mm)
Impeller tip speed : 390 fps (119 m/sec)
First critical speed : 3816 rpm (7-stage) with cast impellers
Drive : Direct drive or gear box or V-belts
Vibration tolerance : 1.34 mils peak-to-peak (4,5 mm/s RMS)
Shaft end : 2" 3/8 (60 mm), inlet end drive standard.

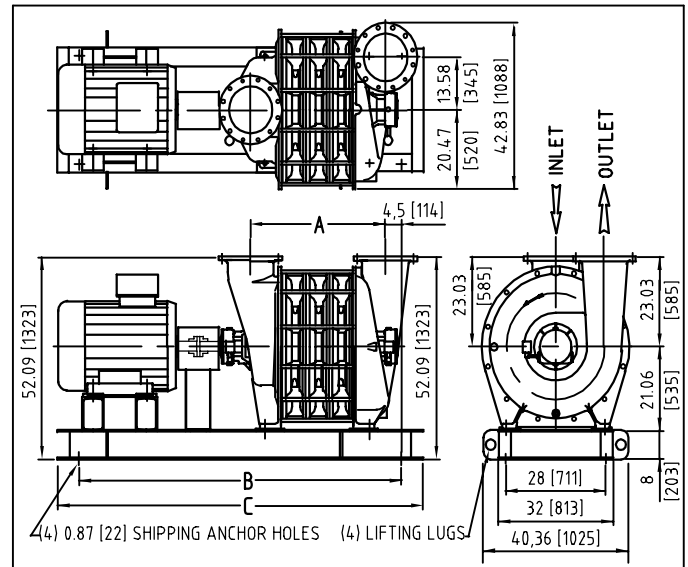
"151" SERIES



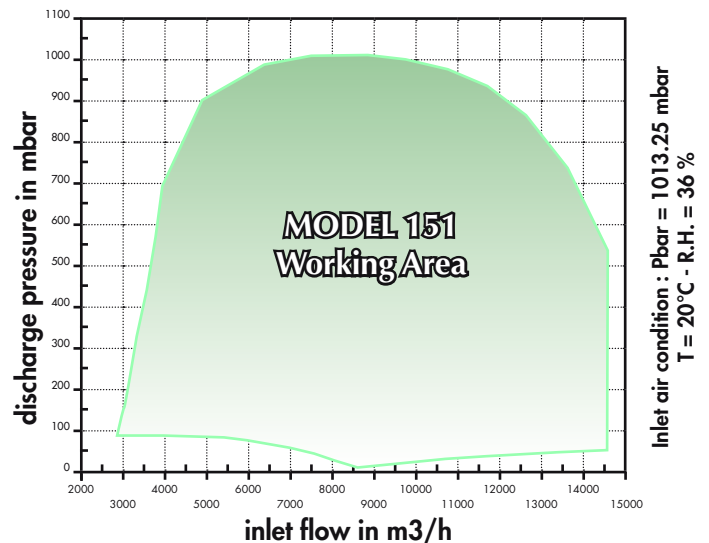
AIR & GAS

MATERIALS OF CONSTRUCTION

Head, Sections, Bearing housings : Cast iron FGL 250
Tie rods : 13/16" (20 mm) diameter cold drawn steel A60
Joint sealing compound : RTV IS502 Silicone
Seals (air) : Graphit rings each end
Seals (gas) : Four carbon rings each end with inert gas injection
Bearings : Ball bearings 6313 C3 PER AFBMA B10 STANDARD
Shaft : Carbon steel C35 (stainless steel available)
Impellers : Cast aluminium Al Si 10 Mg ; fabricated aluminium 5754/6082T6
Baffle rings : Stainless steel
Motor pedestal : UPN roll carbon steel.
Base frame installation : Antivibrations pads



BLOWER SIZE	"A"	"B"	"C"	WEIGHT		Rotor moment of inertia kg.m ²			
				LBS	Kg	CAST	FABRIC Impeller diameter		
							25" (635 mm)	27" (686mm)	
151.01	18.26 (464)	60 (1524)	72 (1829)	2200	1000	0.85	0.27	0.36	
151.02	24.76 (629)	72 (1829)	84 (2134)	2930	1330	1.68	0.53	0.71	
151.03	31.26 (794)	84 (2134)	96 (2438)	3640	1650	2.50	0.79	1.05	
151.04	37.75 (959)	90 (2286)	102 (2591)	4300	1950	3.33	1.05	1.40	
151.05	44.25 (1124)	96 (2438)	108 (2743)	4980	2260	4.16	1.31	1.75	
151.06	50.75 (1289)	102 (2591)	114 (2996)	5650	2560	4.99	1.57	2.10	
151.07	57.24 (1454)	108 (2743)	120 (3048)	6330	2870	5.82	1.83	2.44	
151.08	63.74 (1619)	120 (3048)	132 (3353)	7050	3200	-	2.09	2.79	



DIMENSIONS ARE IN INCHES AND (MM)
 ACTUAL DIMENSIONS MAY VARY SLIGHTLY TO SUIT APPLICATION

Values, dimensions and reference in this brochure are approximate and intended as a guide only, not for construction and are subject to change without notice.

CONTINENTAL INDUSTRIE SAS . CONTINENTAL INDUSTRIE SAS . CONTINENTAL INDUSTRIE SAS .

