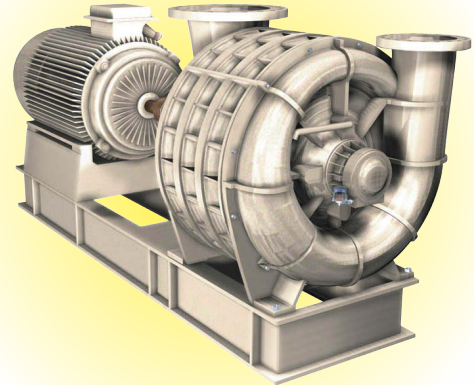


TECHNICAL DATA SHEET

TECHNICAL DATA

Number of stage : 1 thru 7 (cast)
Inlet connection : 20" (508 mm) flange, PN 10 DN 500
Outlet connection : 18" (457 mm) flange, PN 10 DN 450
Operating speed : 3570 rpm in direct drive (60Hz)
Lubrication : Oil type with constant level
Impeller diameter : 31" 3/4 (806 mm)
Impeller tip speed : 494 fps (151 m/s)
First critical speed : 4392 rpm (7 stages)
Drive : Direct drive or gear box
Vibration tolerance : 1.34 mils peak-to-peak (4,5 mm/s RMS)
Balance piston : from 3 to 7 stages
Shaft end : 2" 3/4 (70 mm) , inlet end drive standard

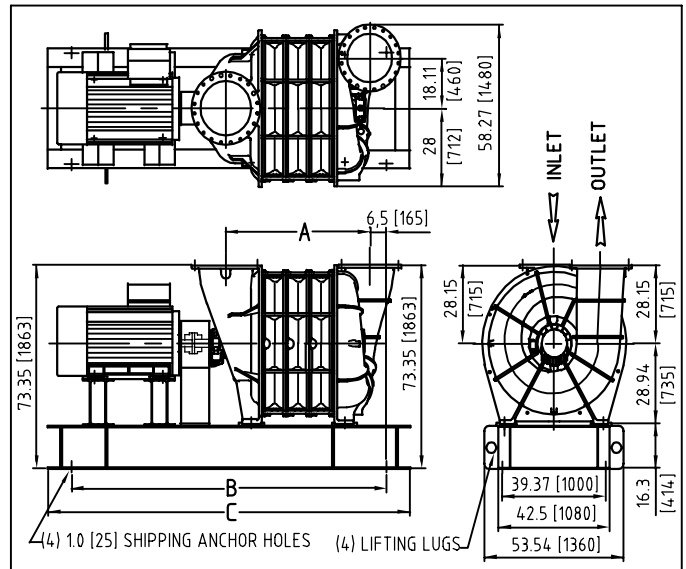
"500" SERIES



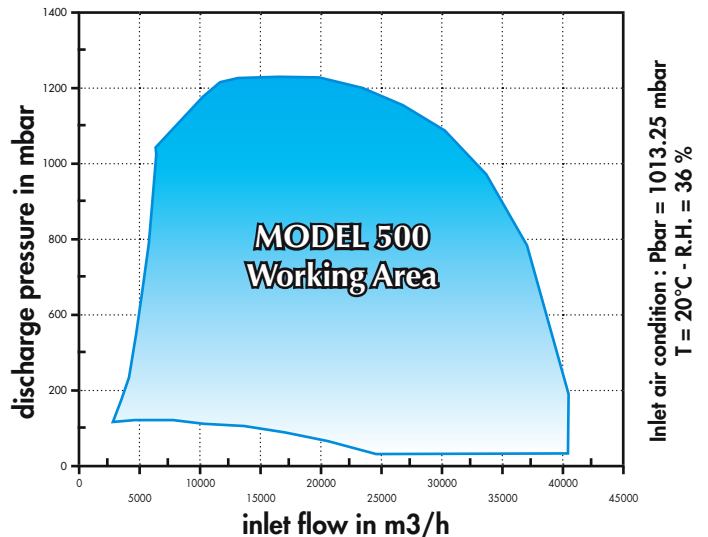
AIR & GAS

MATERIALS OF CONSTRUCTION

Head, Sections, Bearing housings : Cast iron FGL 250
Tie rods : 15/16" (24 mm) diameter cold drawn steel A60
Joint sealing compound : RTV IS502 Silicone
Seals (air) : Graphit rings each end
Seals (gas) : Four carbon rings each end with inert gas injection
Bearings : Ball bearings 6316 C3 PER AFBMA B10 STANDARD
Shaft : Carbon steel C35 (stainless steel available)
Impellers : Cast aluminium Al Si 10 Mg
Baffle rings : Stainless steel
Motor pedestal : UPN roll carbon steel
Base frame installation : Anchor bolts or antivibrations pads



BLOWER SIZE	"A"	"B"	"C"	WEIGHT		Rotor moment of inertia kg.m ²
				LBS	Kg	
500.01	29.13 (740)	118 (2997)	126 (3200)	6170	2800	2.49
500.02	38.19 (970)	120 (3048)	138 (3505)	7600	3450	4.99
500.03	47.24 (1200)	142 (3607)	160 (4064)	9250	4200	7.50
500.04	56.30 (1430)	142 (3607)	160 (4064)	10580	4800	10.00
500.05	65.35 (1660)	172 (4369)	185 (4700)	13220	6000	12.50
500.06	74.41 (1890)	172 (4369)	185 (4700)	14550	6600	15.01
500.07	83.46 (2120)	200 (5080)	212 (5385)	16750	7600	17.51



DIMENSIONS ARE IN INCHES AND (MM)
 ACTUAL DIMENSIONS MAY VARY SLIGHTLY TO SUIT APPLICATION

Values, dimensions and reference in this brochure are approximate and intended as a guide only, not for construction and are subject to change without notice.

CONTINENTAL INDUSTRIE SAS . CONTINENTAL INDUSTRIE SAS . CONTINENTAL INDUSTRIE SAS .

