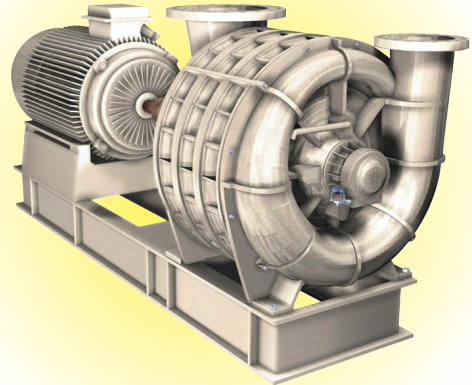


TECHNICAL DATA SHEET

TECHNICAL DATA

Number of stage : 1 thru 10 (cast)
Inlet connection : 6" (152 mm) flange, DN 150 PN 10
Outlet connection : 6" (152 mm) flange, DN 150 PN 10
Operating speed : 3600 rpm in direct drive (60Hz), 4400 with V-belt
Lubrication : Grease lubricated
Impeller diameter : 24" (611 mm)
Impeller tip speed : 374 f/s (114 m/s)
First critical speed : 4706 rpm (9-stage)
Drive : Direct drive or gear box or V-belts
Vibration tolerance : 1.34 mils peak-to-peak (4,5 mm/s RMS)
Shaft end : 1" 3/4 (45 mm), inlet end drive standard.

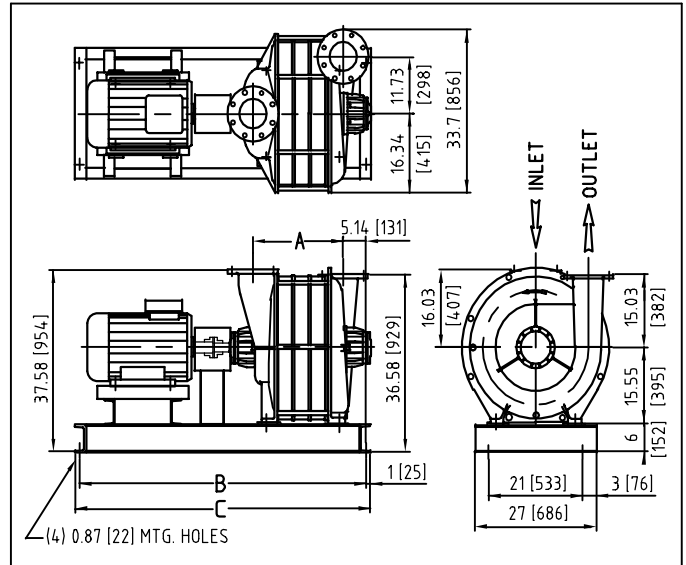
"51" SERIES



AIR & GAS

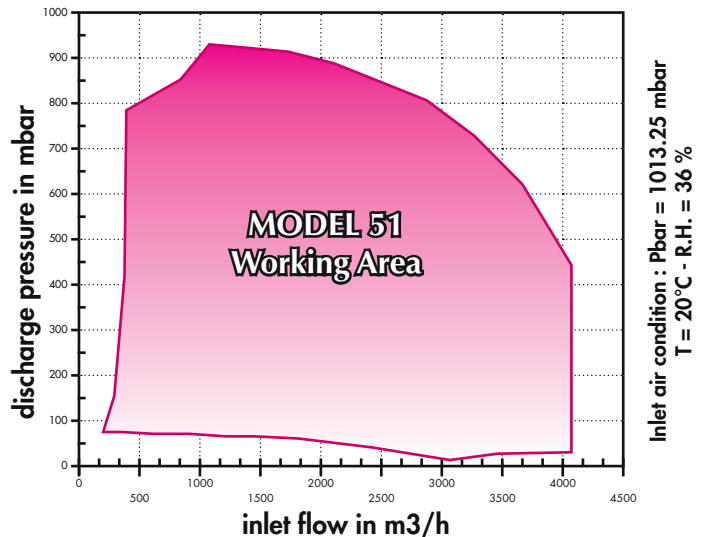
MATERIALS OF CONSTRUCTION

Head, Bearing housings : Cast iron FGL 250
Sections : Cast aluminium Al Si 7 Mg (cast iron optional)
Tie rods : 13/16" (20 mm) diameter cold drawn steel A60
Joint sealing compound : RTV IS502 Silicone
Seals (air) : Two graphit rings each end
Seals (gas) : Four carbon rings each end with inert gas injection
Bearings : Ball bearings 6410 C3 per AFBMA B10 STANDARD
Shaft : Carbon steel C35 (stainless steel available)
Impellers : Cast aluminium Al Si 10 Mg
Baffle rings : Stainless steel
Motor pedestal : Structural steel.
Base frame installation : Antivibrations pads



BLOWER SIZE	"A"	"B"	"C"	WEIGHT		Rotor moment of inertia kg.m ²
				LBS	Kg	
51.01	9.21 (234)	46 (1168)	48 (1219)	937	425	0.35
51.02	12.83 (326)	52 (1321)	54 (1372)	1047	475	0.71
51.03	16.46 (418)	64 (1626)	66 (1676)	1168	530	1.06
51.04	20.08 (510)	64 (1626)	66 (1676)	1256	570	1.41
51.05	23.71 (602)	70 (1778)	72 (1829)	1366	620	1.76
51.06	27.33 (694)	82 (2083)	84 (2134)	1488	675	2.11
51.07	30.96 (786)	82 (2083)	84 (2134)	1576	715	2.47
51.08	34.57 (878)	94 (2388)	96 (2438)	1697	770	2.82
51.09	38.19 (970)	94 (2388)	96 (2438)	1785	810	3.17
51.10	41.81 (1062)	98 (2489)	100 (2540)	1895	860	3.52

DIMENSIONS ARE IN INCHES AND (MM)
 ACTUAL DIMENSIONS MAY VARY SLIGHTLY TO SUIT APPLICATION



Values, dimensions and reference in this brochure are approximate and intended as a guide only, not for construction and are subject to change without notice.

CONTINENTAL INDUSTRIE SAS . CONTINENTAL INDUSTRIE SAS . CONTINENTAL INDUSTRIE SAS .

