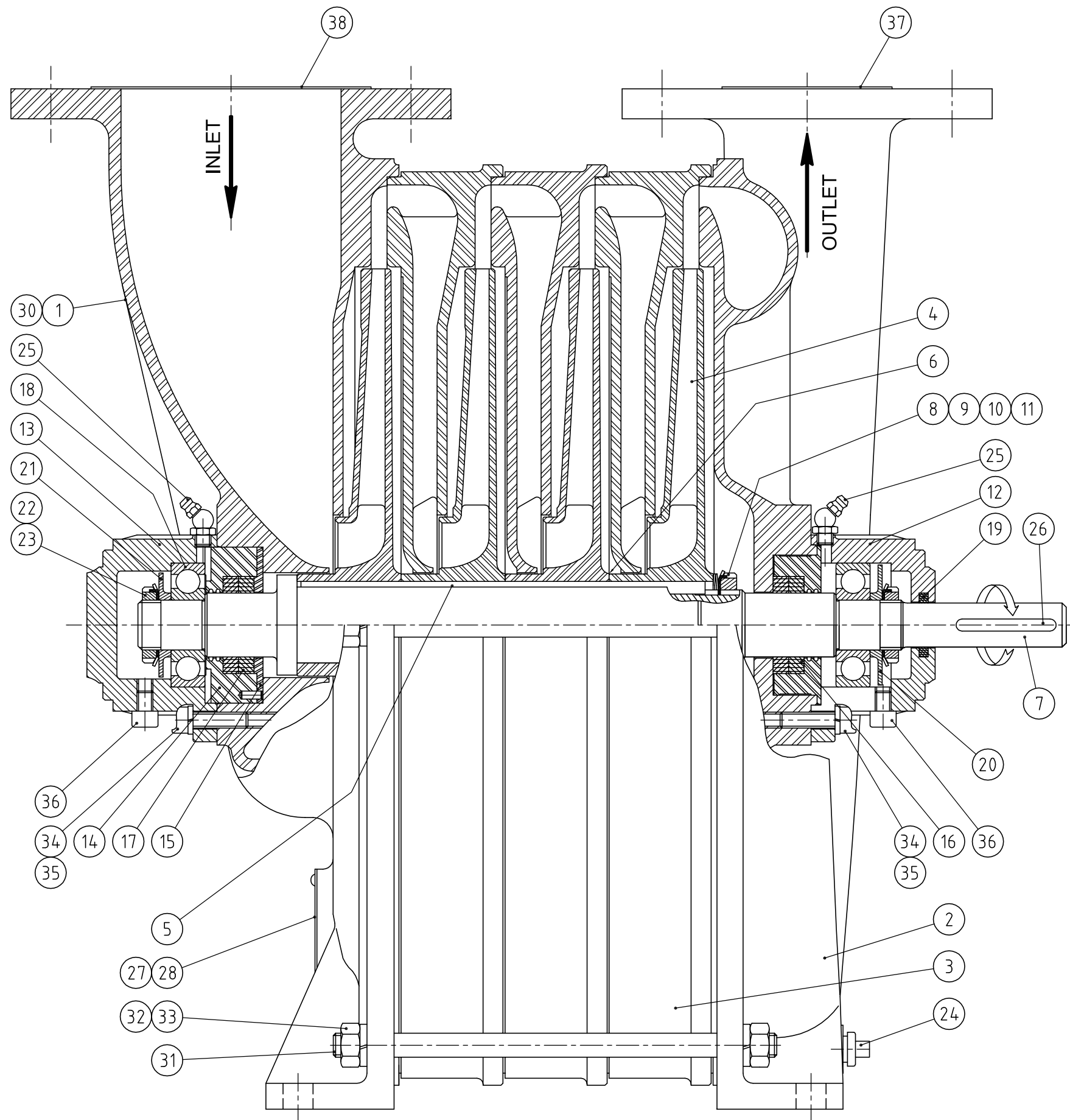



Drawing for information.
See detail on DWG N° 8-RG1A



38	1	S.0417	COVER, PORT / DN100			
37	1	S.0222	COVER, PORT / DN65			
36	2	CHC M08-010	SCREW, CHC M8-10			
35	8	W08	WASHER LOCK, W8			
34	8	CHC M08-030	SCREW, CHC M8-30			
33	Variable	H M12	NUT, H12			
32	12	W12	WASHER LOCK, W12			
31	6	See 8-RG1A	TIE ROD	010	C.STEEL	
30	1	S.1802	VALVE WARNING PLATE	008		
29	1	S.1801	SURGE WARNING PLATE (NOT SHOWN)	092	ALUMINIUM	
28	8	CT02.89-008	RIVET, ϕ 2,89-8			
27	1	S.0216	NAME PLATE	284	ALUMINIUM	
26	1	S.0209	KEY, COUPLING	003	C.STEEL	
25	2	S.0218	CRANKED LUBRICATOR			
24	1	S.0200	PLUG, PIPE 1/4 GAS			
23	2	S.0214	NUT, KM5			
22	2	S.0213	WASHER, MB5			
21	1	S.0208	GREASE, SLINGER ϕ 52 INLET SIDE	4-13	C.STEEL	
20	1	S.0215	GREASE, SLINGER ϕ 60 OUTLET SIDE	4-13	C.STEEL	
19	1	S.0220	FELT JOINT ϕ 22x32x5	005		
18	2	S.0210	BEARING, BALL 6305 C3			0,23
17	4	S.0325	GRAPHIT RING			
16	1	S.0324	RETAINER, GRAPHIT RING - OUTLET SIDE	4-49	ALUMINIUM	
15	1	S.0323	ADAPTER, GRAPHIT RING - INLET SIDE	4-48	ALUMINIUM	
14	1	S.0322	RETAINER, GRAPHIT RING - INLET SIDE	4-48	ALUMINIUM	
13	1	S.0204	HOUSING, BEARING - INLET SIDE	4-07	CAST IRON	1,35
12	1	S.0203	HOUSING, BEARING - OUTLET SIDE	4-07	CAST IRON	1,2
11	Variable	S.0246	SPACER, IMPELLER / WASHER MB	4-52	C.STEEL	
10	1	S.0212	NUT, KM7			
9	1	S.0211	WASHER, MB7			
8	2	S.4017	WASHER, SPRING		C.STEEL	
7	1	See 8-RG1A	SHAFT	4-05	C.STEEL	8-RG1A
6	Variable	See 8-RG1A	SHIM, IMPELLER	006	C.STEEL	
5	1	See 8-RG1A	KEY, IMPELLER	003	C.STEEL	
4	Variable	See 8-RG1A	IMPELLER	8-RG1A	ALUMINIUM	2
3	Variable	S.4003	SECTION, INTERMEDIATE	8-03	ALUMINIUM	7
2	1	S.4002	HEAD, OUTLET	8-02	ALUMINIUM	10
1	1	S.4001	HEAD, INLET	8-01	ALUMINIUM	9
ITEM	QTY.	PART NO.	DESCRIPTION	DWG.	MATERIAL	WEIGHT:kg

CONTINENTAL INDUSTRIE  S ^t TRIVIER/MOIGNANS FRANCE	TYPE 008 OUTLET END DRIVE		ASSEMBLY: <input type="checkbox"/>
	PARTS LIST GRAPHIT RING SEAL		DATE: 28/02/2012
Quotation:	DR: BD	CHKD: DR	SCALE: <input type="checkbox"/>
Order No.:	REVISION		SIZE: A3 <input type="checkbox"/>
This drawing is our property and cannot be copied or communicated to thirds without our authorization.			DWG No. 8-RG1A-NM