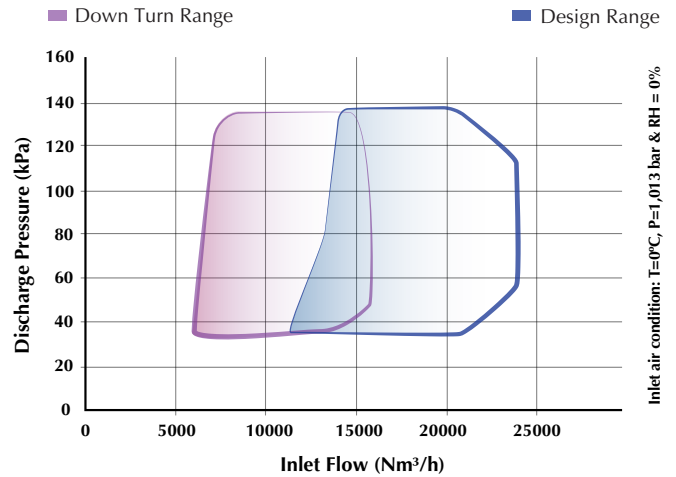
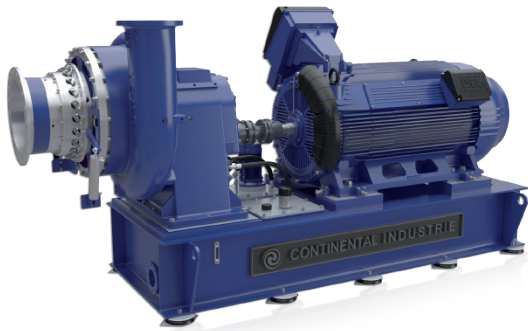


MODEL-TCH-25.1

SINGLE STAGE TURBOCOMPRESSOR



Product info

Compressor Type	Integrally geared single stage compressor
Medium	Air
Frame family	TCH25.1
GearBox	Vertical Split Single helical gears Journal bearings Forced lubrication
Control System	I – Inlet Guide Vanes O – Variable Diffuser Vanes CC – Combined Control (IGV + VDV)

Material specification

Volute Casing	Cast iron EN GJL-250
Casing	Cast iron EN GJL-250
Impeller	Aluminium alloy (2618A) or stainless steel
Vaness	Aluminium alloy, Stainless steel, Bronze
GearWheels	High tensile 18CrNiMo7
Fast Shaft	High tensile 18CrNiMo7
Drive Shaft	High tensile 34CrNiMo6
Bearings	Alloy Steel with white metal film
Base Frame	Structural Steel
Coupling	Flexible disc coupling with spacer

Auxiliaries

Inlet Filter/Silencer	95% filtration as per Filter Class EU G4 & baffle type silencer
IGV/VDV Actuation	Electric linear actuator
Expansion Joint	DN450/250 steel flanges with Stainless Steel or EPDM Bellows
Cone Diffuser	Inlet DN250 – Outlet DN500/600
Blow-off-valve	DN 125/150, Electric actuated
Check valve	DN500/600, dual flap wafer type
Oil for Gearbox	Approx 330liters (ISO VG68/46)
Lube oil cooling	Air or external liquid to oil
Cooling Fan	IP55 50/60Hz

Compressor Drive

Drive	Electrical-motor, 2-Pole
Motor Voltage	Low-medium – high voltage
Input frequency	50/60 Hz
Motor speed	3000 rpm or 3600 rpm
Protection class	IP55

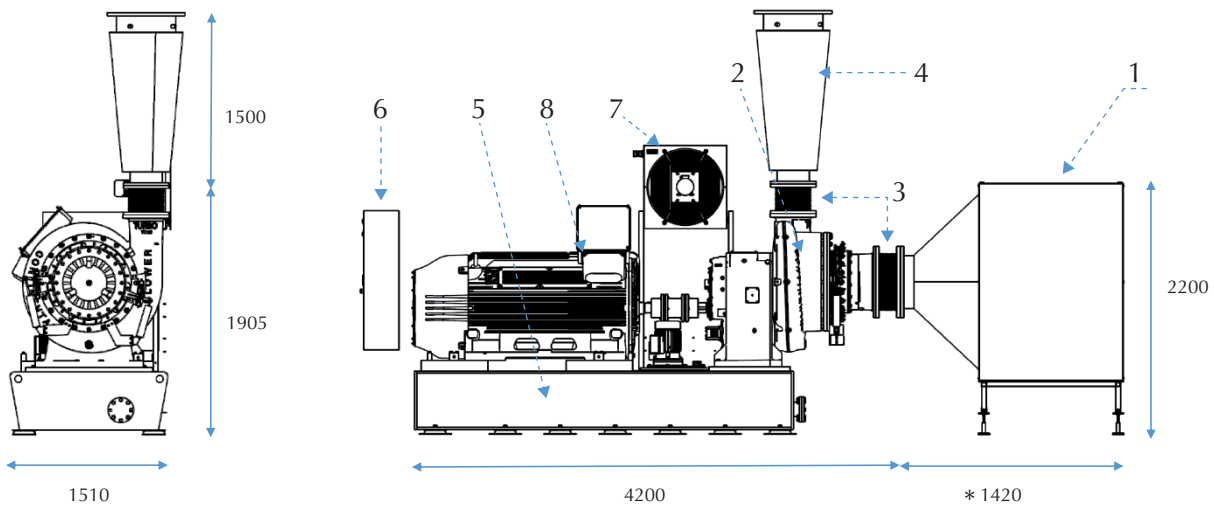
Standar Quality

Test Procedure	ISO 5389 & ASME PTC10
Mechanical Test	Internal Standard
Quality	ISO 9001:2015
In Option	API 617/672

MODEL-TCH-25.1

Single Stage Turbocompressor

Dimensions (mm)



* With Heater = 1690 / With Pocket Filter = 2150 / With Pocket Filter & Heater = 2470

Main Parts

- | | |
|---------------------------|---------------------------------------|
| 1. Inlet Filter/Silencer | 5. Base Frame |
| 2. Compressor | 6. LCP Panel |
| 3. Compensator | 7. Air Cooled (Watercooled in option) |
| 4. Cone Diffuser/Silencer | 8. Compressor Drive |

Performance data

Flow Regulation	See Performance chart
Flow Range	100% - 45% of rated flow with combined control
Pressure Range	0.4 to 1.2 bar (g)
Power Range	200 – 900 kW
Discharge Velocity	Below 20m/s after Cone
Vibration Level	Max. 4.5mm/s per ISO 20816
Noise	91-95 db(A) Without enclosure 76-78 db(A) With enclosure

Panels

Human Interface	Siemens KTP700 Basic 7"
Option-1	Allen Bradley Panel View Plus 6"
PLC	Siemens ET200 SP CPU
Option-2	Allen Bradley Compac Logixs
Instrumentation	Air Pressure transmitter 4-20mA Air Temperature transmitter 4-20mA Oil Temperature Switch and oil tank Bearing Temperature RTD Oil Pressure Switch Low Oil Level Switch Vibration Transmitter 4-20mA Surge Switch
In option:	X,Y,Z Vibration Detector (Bently Nevada)

CONTINENTAL TURBO - TCH -25.1

Values, dimensions and reference in this brochure are approximate and intended as a guide only
info@continental-industrie.com / www.continental-industrie.com / Tel: (+33) 474 55 88 77



REV04 / TDS TCH25.1