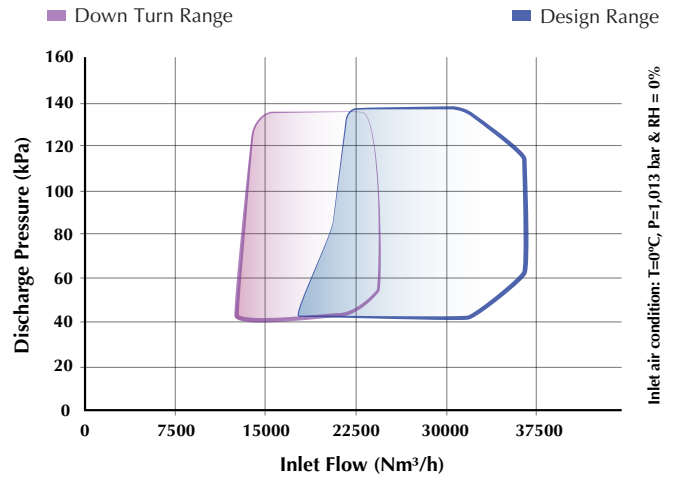


MODEL-TCH-35.1

SINGLE STAGE TURBOCOMPRESSOR



Product info

| | |
|-----------------|---|
| Compressor Type | Integrally geared single stage compressor |
| Medium | Air |
| Frame family | TCH35.1 |
| GearBox | Vertical Split Single helical gears Journal bearings Forced lubrication |
| Control System | I – Inlet Guide Vanes O – Variable Diffuser Vanes CC – Combined Control (IGV + VDV) |

Material specification

| | |
|---------------|--|
| Volute Casing | Cast iron EN GJL-250 |
| Casing | Cast iron EN GJL-250 |
| Impeller | Aluminium alloy (2618A) or stainless steel |
| Vanes | Aluminium alloy, Stainless steel, Bronze |
| GearWheels | High tensile 18CrNiMo7 |
| Fast Shaft | High tensile 18CrNiMo7 |
| Drive Shaft | High tensile 34CrNiMo6 |
| Bearings | Alloy Steel with white metal film |
| Base Frame | Structural Steel |
| Coupling | Flexible disc coupling with spacer |

Auxiliaries

| | |
|-----------------------|--|
| Inlet Filter/Silencer | 95% filtration as per Filter Class EU G4 & baffle type silencer |
| IGV/VDV Actuation | Electric linear actuator |
| Expansion Joint | DN500/300 steel flanges with Stainless Steel or EPDM Bellows |
| Cone Diffuser | Inlet DN300 – Outlet DN600/700 |
| Blow-off-valve | DN 200/250, Electric actuated |
| Check valve | DN600/700, dual flap wafer type |
| Oil for Gearbox | Approx 510liters (ISO VG68/46) |
| Lube oil cooling | Air or external liquid to oil |
| Cooling Fan | IP55 50/60Hz |

Compressor Drive

| | |
|------------------|---------------------------|
| Drive | Electrical-motor, 2-Pole |
| Motor Voltage | Low-medium – high voltage |
| Input frequency | 50/60 Hz |
| Motor speed | 3000 rpm or 3600 rpm |
| Protection class | IP55 |

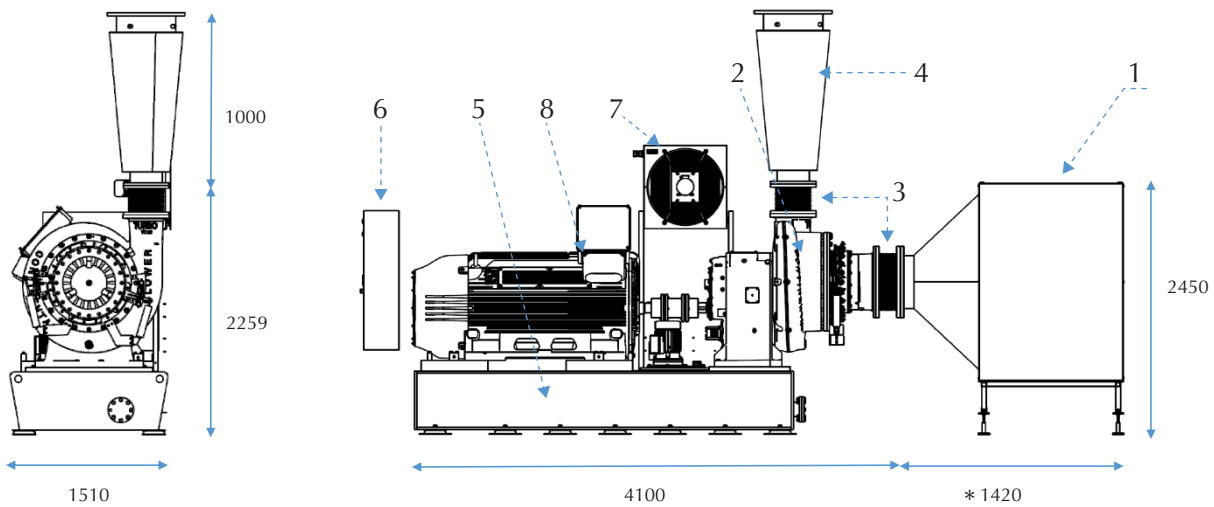
Standar Quality

| | |
|-----------------|-----------------------|
| Test Procedure | ISO 5389 & ASME PTC10 |
| Mechanical Test | Internal Standard |
| Quality | ISO 9001:2015 |
| In Option | API 617/672 |

MODEL-TCH-35.1

Single Stage Turbocompressor

Dimensions (mm)



* With Heater = 1690 / With Pocket Filter = 2150 / With Pocket Filter & Heater = 2470

Main Parts

- | | |
|---------------------------|---------------------------------------|
| 1. Inlet Filter/Silencer | 5. Base Frame |
| 2. Compressor | 6. LCP Panel |
| 3. Compensator | 7. Air Cooled (Watercooled in option) |
| 4. Cone Diffuser/Silencer | 8. Compressor Drive |

Performance data

| | |
|--------------------|---|
| Flow Regulation | See Performance chart |
| Flow Range | 100% - 45% of rated flow with combined control |
| Pressure Range | 0.4 to 1.2 bar (g) |
| Power Range | 300 – 1100 kW |
| Discharge Velocity | Below 20m/s after Cone |
| Vibration Level | Max. 4.5mm/s per ISO 20816 |
| Noise | 91-95 db(A) Without enclosure 76-78 db(A) With enclosure |

Panels

| | |
|-----------------|--|
| Human Interface | Siemens KTP700 Basic 7" |
| Option-1 | Allen Bradley Panel View Plus 6" |
| PLC | Siemens ET200 SP CPU |
| Option-2 | Allen Bradley Compac Logixs |
| Instrumentation | Air Pressure transmitter 4-20mA Air Temperature transmitter 4-20mA Oil Temperature Switch and oil tank Bearing Temperature RTD Oil Pressure Switch Low Oil Level Switch Vibration Transmitter 4-20mA Surge Switch |
| In option: | X,Y,Z Vibration Detector (Bently Nevada) |

CONTINENTAL TURBO - TCH -35.1

Values, dimensions and reference in this brochure are approximate and intended as a guide only
 info@continental-industrie.com / www.continental-industrie.com / Tel: (+33) 474 55 88 77



REV04 / TDS TCH35.1