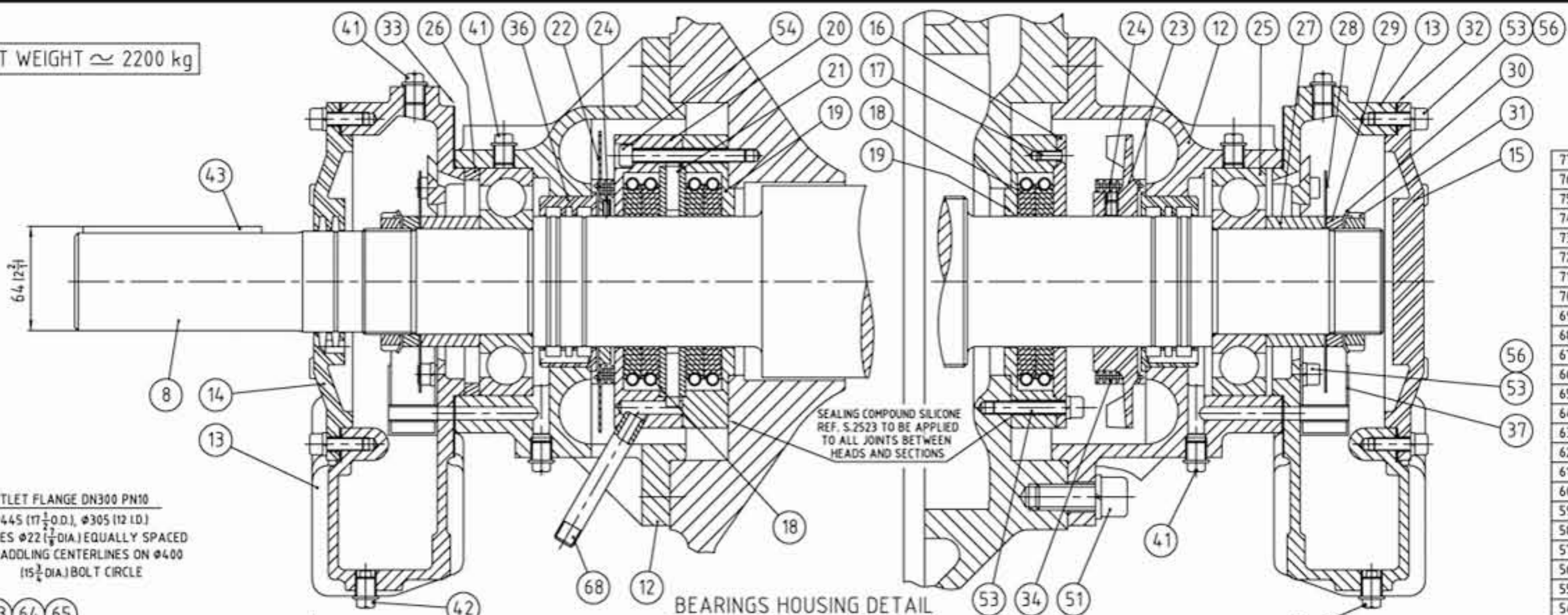
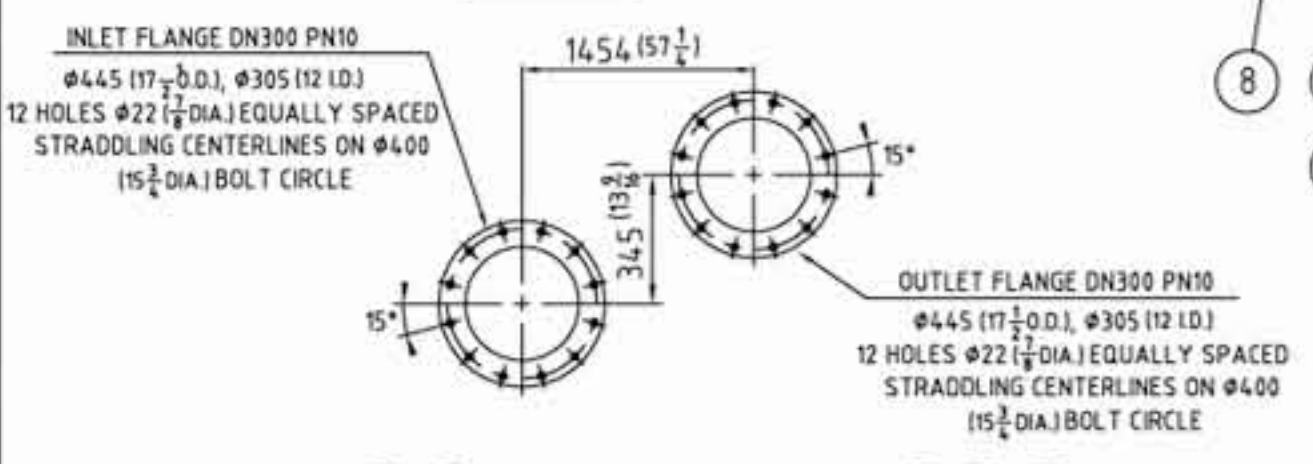
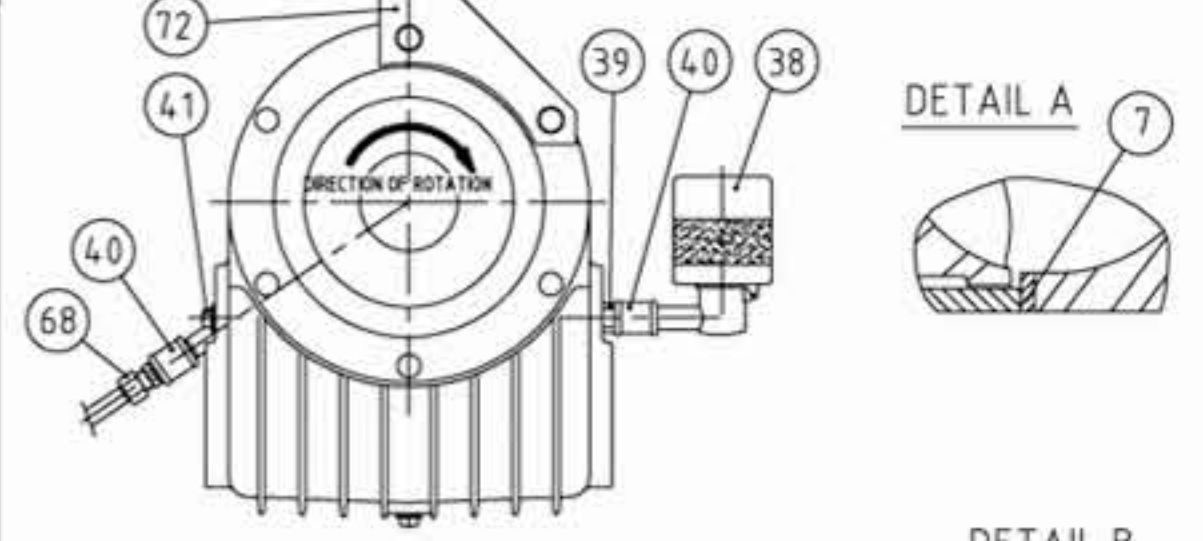


TOTAL UNIT WEIGHT ≈ 2200 kg

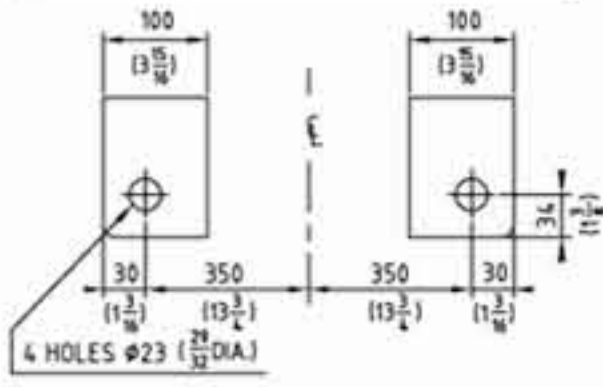
FLANGES



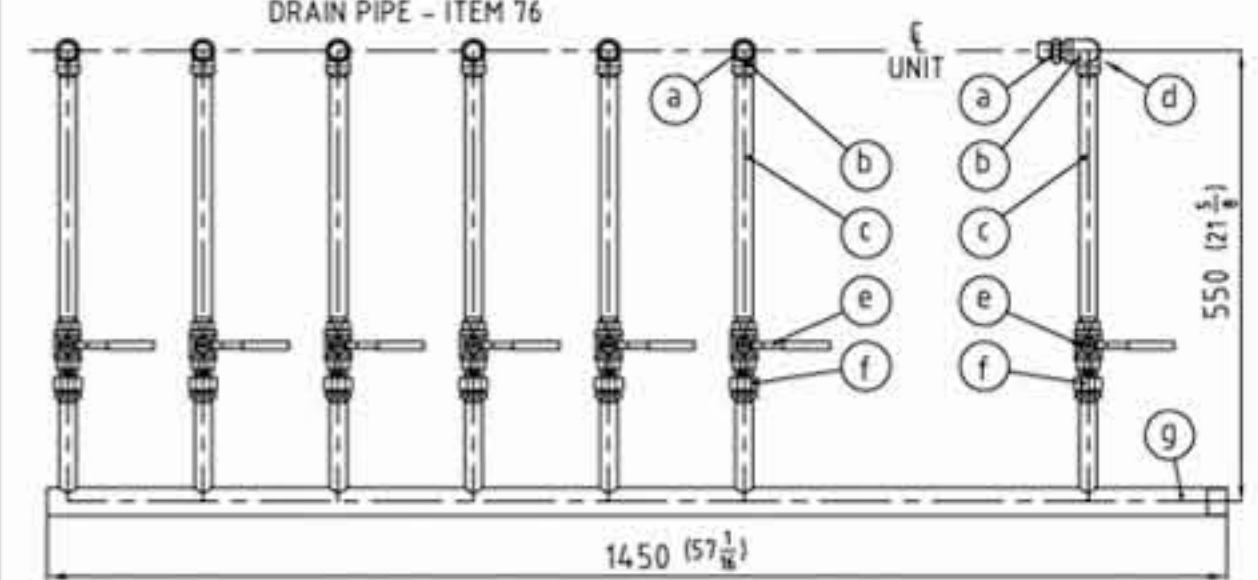
HOUSING BEARING INLET VIEW



FOOT DIMENSIONS, ALL HEADS



DETAIL C - Up view (Scale 1:2 of blower)



- NOTES:
 -DIMENSIONS IN PARENTHESIS ARE IN INCHES.
 -RECOMMENDED TIE ROD TORQUE: 4 m.kg.
 -OIL QUANTITY HOUSING, BEARING OUTLET SIDE 1,56 liter.
 -USED OIL SPECIFICATIONS FOR HOUSING, BEARING:
 100% SYNTHETIC FS150.

ITEM	QTY.	PART NO.	DESCRIPTION	DWG.	MATERIAL	WEIGHT(kg)
77	1	S.5625	PIPE BALANCING	151-301	C.STEEL	4
76	1	S.5615	DRUM, BALANCING	151-282	CAST IRON	3.8
75	1	S.5619.1	KEY, IMPELLER - DRUM 14x12x9.5	003	S.STEEL	
74	1	/	DRAIN PIPE (See detail C)		(See detail C)	
73	1	VIB30/10	ACCELEROMETER			
72	1	S.5599	SUPPORT, ACCELEROMETER	151-229	C.STEEL	0,6
71	1	S.2737	ATLAS COLLAR Ø10		C.STEEL	
70	1	S.2739	BASE PLATE, COLLAR M6-40		C.STEEL	
69	1	S.2745	GAS PIPE, BACK FLOW		COPPER	
68	1	S.5541	INJECTION GAS PIPE, Ø1/4G		C.STEEL	
67	48	M20	WASHER, M20			
66	24	H M20-090	SCREW, H M20-90			
65	2	S.1225	COMPANION FLANGE DN300 PN10		C.STEEL	15
64	2	S.1226	GASKET, FLANGE DN300	005		
63	2	S.1224	COVER, PORT	050	C.STEEL	
62		M06.1	WASHER, M6		S.STEEL	
61	30	GS M06-010	SCREW, GS M6-10		S.STEEL	
60	6	CHC M06-016	SCREW, CHC M6-16		S.STEEL	
59	6	S.1455	BRACKET, BAFFLE	150-21	S.STEEL	
58	6	S.5617	BAFFLE, INTERMEDIATE SECTION	151-288	S.STEEL	
57	1	S.5535	BAFFLE, INLET HEAD	151-18	S.STEEL	
56	24	CHC M08-025	SCREW, CHC M8-25			
55	6	CHC M08-055	SCREW, CHC M8-55			
54	6	CHC M08-070	SCREW, CHC M8-70			
53	30	W08	WASHER LOCK, W8			
52	16	CHC M16-040	SCREW, CHC M16-40			
51	16	W16	WASHER LOCK, W16			
50	48	H M20	NUT, HM20			
49	48	W20	WASHER LOCK, W20			
48	1	S.1802	VALVE WARNING PLATE	008		
47	1	S.1801	SURGE WARNING PLATE	092	ALUMINIUM	
46	12	S.5534	TIE ROD	010	C.STEEL	2
45	8	CT02.89-008	RIVET, Ø2.89-8			
44	1	S.0216	NAME PLATE	284	ALUMINIUM	
43	1	S.1414	KEY, COUPLING 18x11x110	003	C.STEEL	
42	2	S.2581	PLUG PIPE, 1/4 GAS MAGNETIC			
41	7	S.0200	PLUG PIPE, 1/4 GAS			
40	3	S.2580	NIPPLE, FF 1/4 GAS			
39	2	S.2579	NIPPLE, MM 1/4 GAS			
38	2	S.1423	OILER 1/4 GAS			
37	2	S.1273	RETAINER, SUMP	150-45	C.STEEL	
36	2	S.12155	LABYRINTH, BEARING HOUSING	75-13	ALUMINIUM	
35	2	S.1218	FAN GUARD, BEARING HOUSING	75-41	C.STEEL	
34	2	S.1214	FAN GUARD, BEARING HOUSING	75-41	C.STEEL	
33	2	S.1275	GASKET, OIL RESERVOIR	150-47	KLEINGERITE	
32	2	S.1216	GASKET, BEARING CAP	150-18	KLEINGERITE	
31	2	S.1222	NUT, KM13			
30	2	S.1221	WASHER, MB13			
29	2	S.1211	SPACER, SHORT	75-17	C.STEEL	
28	2	S.1213	OIL SLINGER	75-18	C.STEEL	
27	2	S.1212	SPACER, LONG	75-16	C.STEEL	
26	1	S.1272	SPACER, BEARING	150-46	C.STEEL	
25	2	S.1262	BEARING, BALL 6313 C3 THT			2,1
24	4	AHC M08-010.PL	SCREW, HC M8-10, PL			
23	1	S.1210	FAN, COOLING - OUTLET END	75-12	ALUMINIUM	
22	1	S.5540	FAN, COOLING - INLET END	151-15	C.STEEL	
21	1	S.5288.1	SPACER, CARBON RING	151-15	S.STEEL	1,1
20	1	S.5287.1	RETAINER, CARBON RING	151-15	S.STEEL	3,3
19	2	S.5537.1	RETAINER, CARBON RING	151-15	S.STEEL	3,3
18	6	S.1256	CARBON RING	150-39	CARBON	
17	2	FHC M06-016.J	SCREW, AHC M6-16.J			
16	1	S.5638	ADAPTER, CARBON RING	151-322	S.STEEL	1
15	1	S.1204	CAP, BEARING-OUTLET END	150-14	ALUMINIUM	1,3
14	1	S.1205	CAP, BEARING-INLET END	150-13	ALUMINIUM	1,1
13	2	S.5600	OIL RESERVOIR	151-238	CAST IRON	9
12	2	S.1270	HOUSING, BEARING	150-48	CAST IRON	13
11	1	S.5532.1	NUT, KM21	151-270	S.STEEL	
10	1	AHC M08-16.1	SCREW, AHC M8-16.1		S.STEEL	
9	1	S.5596.1	SPACER, SHAFT / IMPELLER	151-194	S.STEEL	
8	1	S.56235.11	SHAFT	151-392	S.S 230C13	110,4
7		S.5508	SHIM, IMPELLER	006	S.STEEL	
6	6	S.5510.1	KEY, IMPELLER 14x12x80	003	S.STEEL	
5	6	S.5590.1	SPACER, IMPELLER	151-176	S.STEEL	0,9
4b	4	S.5571X	IMPELLER N°6312	151-87	ALUMINIUM	8
4a	3	S.5551X	IMPELLER N°6311	151-33	ALUMINIUM	7
3	6	S.5503S	SECTION, INTERMEDIATE	151-03	CAST IRON	220
2	1	S.5502	HEAD, OUTLET	151-02	CAST IRON	24,0
1	1	S.5501	HEAD, INLET	151-01	CAST IRON	24,0

ITEM	QTY.	PART NO.	DESCRIPTION	MATERIAL
g	1	TACI 033.7x3.2	COLLECTOR 5xØ1/2" G M - OUTLET Ø1" G M	S.S.
f	7	S.2852.J	THREE PIECE UNION-MF Ø1/2" G	S.S.
e	7	V51.2.J	MANUAL BALL VALVE Ø1/2" G	S.S.
d	1	TACI 0213x2.6	PIPE Ø1/2" G M Lg.50	S.S.
c	7	TACI 0213x2.6	PIPE Ø1/2" G M Lg.320	S.S.
b	8	S.2846.J	ELBOW 90° Ø1/2 FF	S.S.
a	8	S.2851.J	HEXAGONAL NIPPLE Ø1/2" G M Lg.40	S.S.

CONTINENTAL INDUSTRIE S.A. TYPE 151A.07 RT INLET END DRIVE

SECTIONAL DRAWING CARBON RING SEALS & GAS INJECTION

Order N°: AR.01503 D.R. TF DWG. B.D.

CLIENT: AXIMA REFRIGERATION REVISIONS: 10.06.2004

DATE: 17/03/2004

SCALE: 1:1

DWG N°: 151-0pt

REV.: 1