

NOTES:- DIMENSIONS IN PARENTHESIS ARE IN INCHES.  
 - RECOMMENDED TIE ROD TORQUE: 30 F.T. LBS.  
 - USED GREASE SPECIFICATIONS: HP-ST 3  
 EQUIVALENT: ESSO: FBRAX 280  
 ELF: MULTI PL 3  
 TOTAL: MULTIS TIR  
 SHELL: ALVANIA G3  
 UNL: UNL SR

REV	DATE	ED.N	BY	REVISIONS
1	28/10/92		BD	ORIGINAL

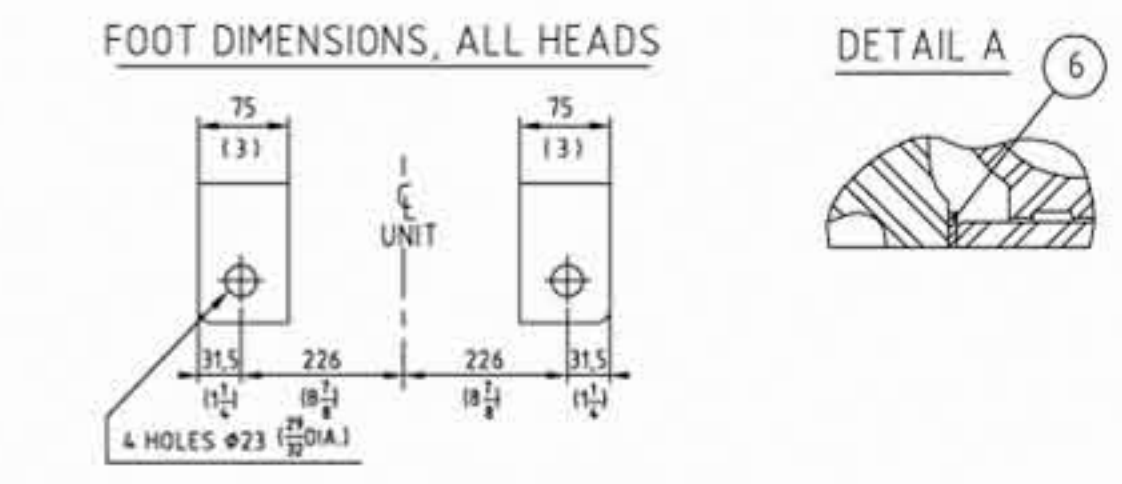
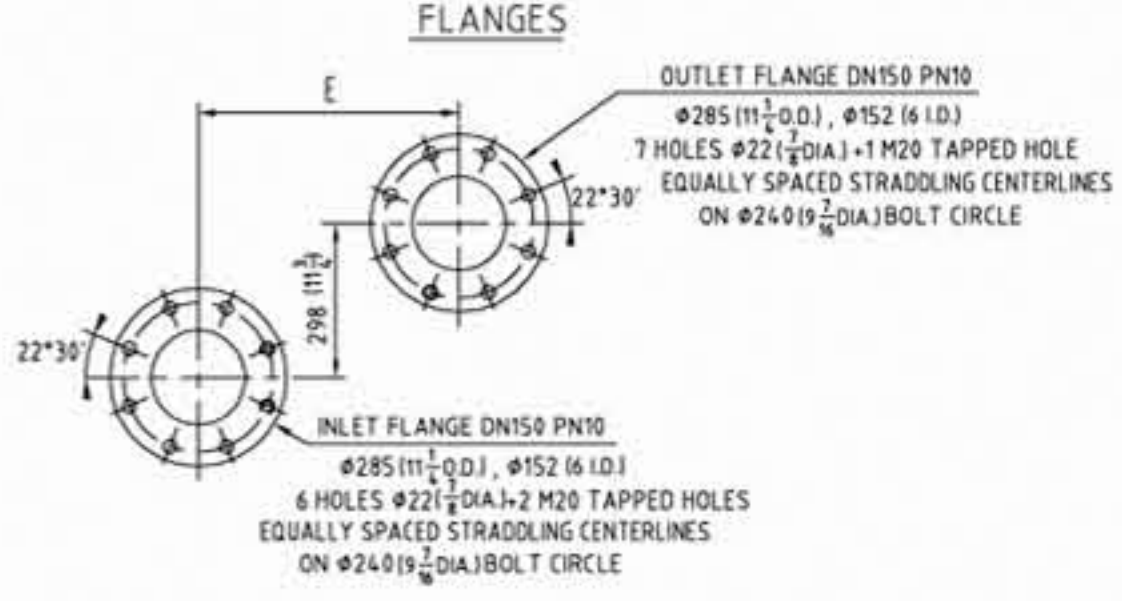
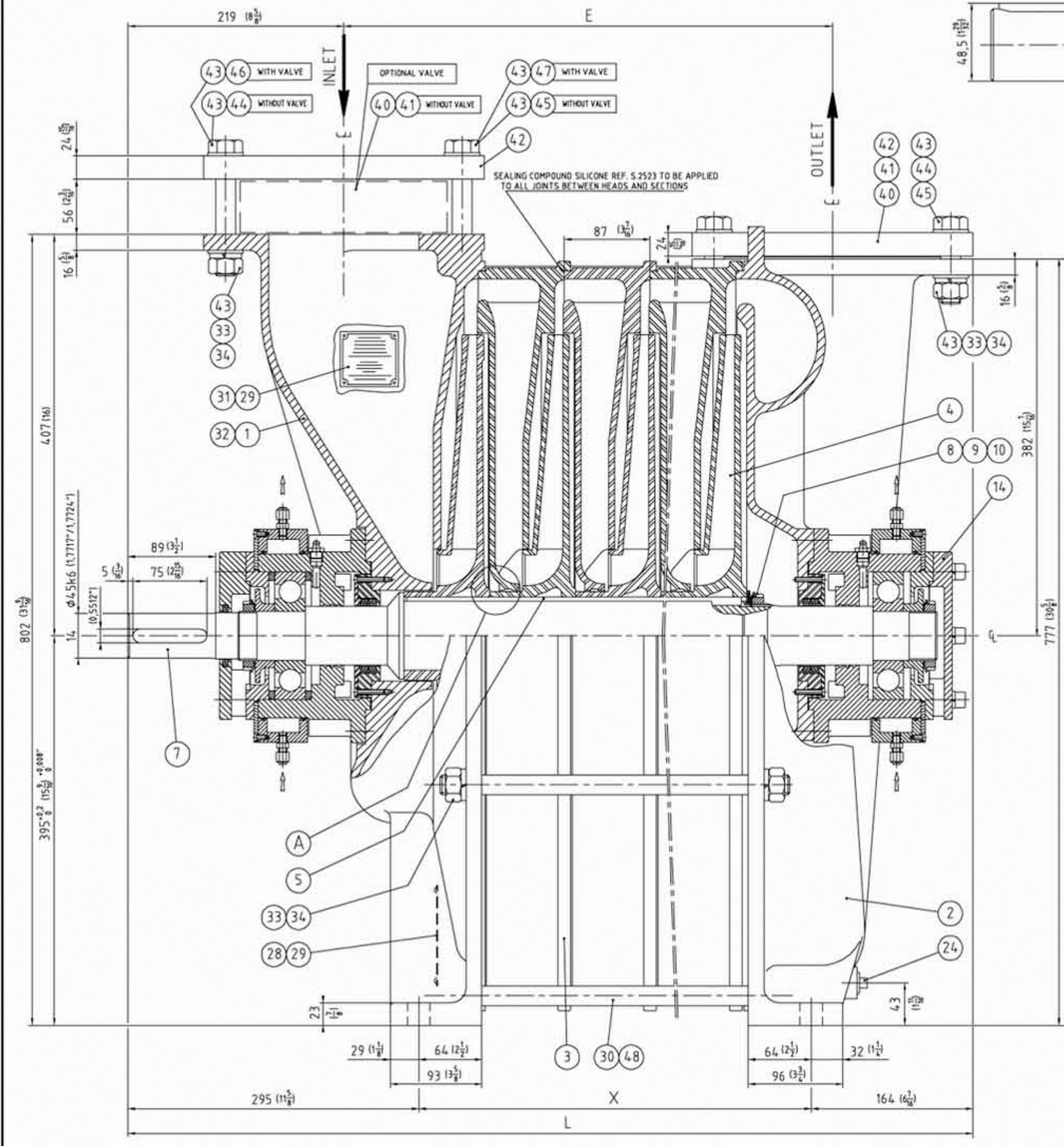


Chart III WITH VALVE			WITHOUT VALVE		
ITEM 40	1	2			
ITEM 41	1	2			
ITEM 44	7	13			
ITEM 45	1	3			
ITEM 46	6	0			
ITEM 47	2	0			

Chart II IMPELLER TYPE (ITEM 4)				
QTY	PART NO.	IMPELLER TYPE	DWG.	
	S.4605	N°3201	31-03	
	S.4607	N°3202	30-05	
	S.4604	N°3203	31-02	
	S.4624	N°3211	30-04	

PART NO. ITEM 5	Chart I TYPE									
	03101	03102	03103	03104	03105	03106	03107	03108	03109	
S.0646	S.0647	S.0648	S.0649	S.0650	S.0651	S.0652	S.4610	S.4620	S.4622	
S.0628	S.0630	S.0632	S.0634	S.0636	S.0638	S.0640	S.4609	S.4622		
WEIGHT.kg ITEM 7	11,5	14,2	16,8	19,5	22,1	24,7	27,3	29,9	32,5	
PART NO. ITEM 30	S.1241	S.0645	S.1243	S.0695	S.1035	S.1249	S.0697	S.1451	S.4623	
PART NO. ITEM 48	S.1241S	S.0645S	S.1243S	S.0695S	S.1035S	S.1249S	S.0697S	S.1451S	S.4623S	
QTY	ITEM 3	0	1	2	3	4	5	6	7	8
ITEM 4	1	2	3	4	5	6	7	8	9	
DIMENSION E	234,5	321,5	408,5	495,5	582,5	669,5	756,5	843,5	930,5	
DIMENSION X	137	224	311	398	485	572	659	746	833	
DIMENSION L	598	683	770	857	944	1031	1118	1205	1292	
WEIGHT.kg	268	308	348	388	428	468	508	548	588	
WEIGHT.LBS	590	678	767	855	943	1031	1120	1208	1296	

48						
47	See chart III	H M20-100	SCREW, H M20-100			
46	See chart III	H M20-130	SCREW, H M20-130			
45	See chart III	H M20-050	SCREW, H M20-50			
44	See chart III	H M20-080	SCREW, H M20-80			
43	29	M20	WASHER, M20			
42	2	S.0625	COMPANION FLANGE DN150 PN10		C.STEEL	7,6
41	See chart III	S.0626	GASKET, FLANGE DN150	005		
40	See chart III	S.0624	COVER, PORT	050	C.STEEL	
39	12	CHC M10-050	SCREW, CHC M10-50			
38	12	W10	WASHER LOCK, W10			
37	12	CHC M12-035	SCREW, CHC M12-35			
36	12	W12	WASHER LOCK, W12			
35	12	FHC M05-030	SCREW, FHC M5-30			
34	27	H M20	NUT, H20			
33	27	W20	WASHER LOCK, W20			
32	1	S.1802	VALVE WARNING PLATE	008		
31	1	S.1801	SURGE WARNING PLATE	092	ALUMINIUM	
30	6	See chart I	TIE ROD	010	C.STEEL	
29	8	CT02.89-008	RIVET, Ø2.89-8			
28	1	S.0216	NAME PLATE	284	ALUMINIUM	
27	1	S.0613	KEY, COUPLING 14x9x75	003	C.STEEL	
26	2	S.0621	GREASER, 1/4 GAS			
25	2	S.0200	PLUG, 1/4 GAS			
24	1	S.1012	PLUG, 3/8 GAS			
23	1	S.0623	FELT JOINT Ø63x46x6			
22	2	S.0620	NUT, KM10			
21	2	S.0619	WASHER, MB10			
20	2	S.0610	GREASE SLINGER	30-20	C.STEEL	
19	2	S.0611	SPACER, BEARING / HOUSING BEARING	30-18	C.STEEL	
18	2	S.0617	BEARING, BALL 6410 C3 THT			1,95
17	4	S.0862	GRAPHIT RING			
16	2	S.0856	ADAPTER, GRAPHIT RING	50-36	ALUMINIUM	0,1
15	2	S.0855	RETAINER, GRAPHIT RING	50-36	ALUMINIUM	0,36
14	1	S.0604	CAP, BEARING-OUTLET END	30-15	CAST IRON	2,3
13	1	S.0605	CAP, BEARING-INLET END	30-14	CAST IRON	3,1
12	2	S.0607	SPACER, BEARING/CAP	30-12	CAST IRON	1,7
11	2	S.0603	HOUSING, BEARING	30-09	CAST IRON	11,5
10	1	S.1222	NUT, KM13			
9	1	S.1221	WASHER, MB13			
8	2	S.4611	WAVY SPRING		C.STEEL	
7	1	See chart I	SHAFT	30-63	C.STEEL	See chart I
6	Variable	S.0668	SHIM, IMPELLER	006	C.STEEL	
5	1	See chart I	KEY, IMPELLER	003	C.STEEL	
4	See chart I	See chart II	IMPELLER	See chart II	ALUMINIUM	9
3	See chart I	S.4603	SECTION, INTERMEDIATE	31-01	ALUMINIUM	26
2	1	S.0602	HEAD, OUTLET	30-02	CAST IRON	96
1	1	S.0601	HEAD, INLET	30-01	CAST IRON	92

CONTINENTAL INDUSTRIE S.A		TYPE 031 RT INLET END DRIVE		ASSEMBLY: /	
3 TRIVIER/MOIGNANS FRANCE		SECTIONAL DRAWING GRAPHIT RING SEAL		DATE: 28/10/1992	
QUOTATION: DR: BD		CHKD DR		SCALE: A1	
ORDER No.:		DWG No.:		REV.:	
REVISIONS:				31-AG1A 0	

Ce plan est notre propriété et ne peut être copié ou communiqué à des tiers sans notre autorisation.