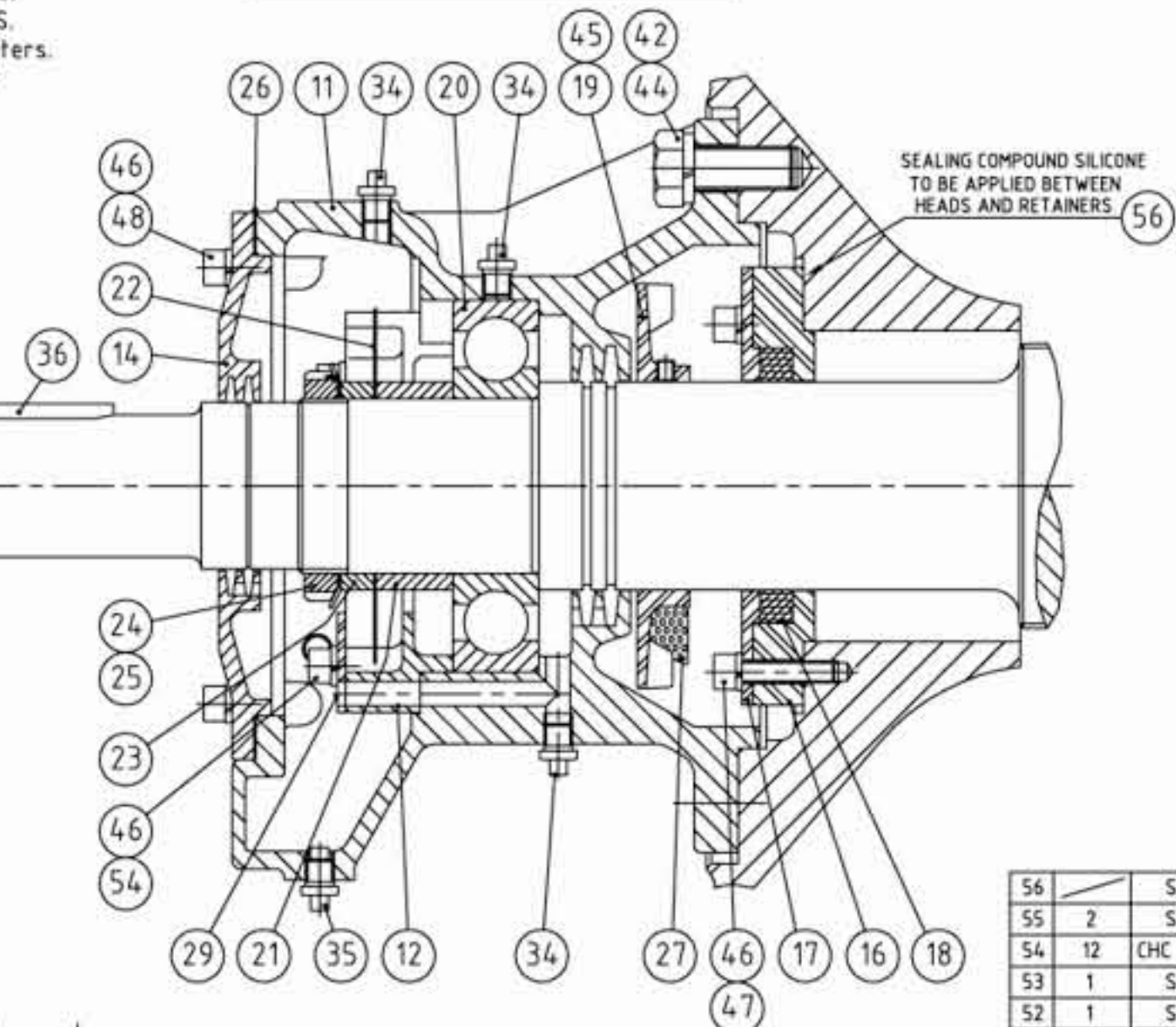


**NOTES:**  
 -DIMENSIONS IN PARENTHESIS ARE IN INCHES.  
 -RECOMMENDED TIE ROD TORQUE: 30 F.T LBS.  
 -OIL QUANTITY BY HOUSING BEARING 1,36 liters.  
 -USED OIL SPECIFICATION: JAROGEAR Z.150  
 Extreme oil pressure SERVICE API-GL5  
 EQUIVALENT: ESSO SPARTAN EP 150  
 ELF REDUCTELF SP 150  
 TOTAL CARTER EP 150  
 SHELL OMALA 150

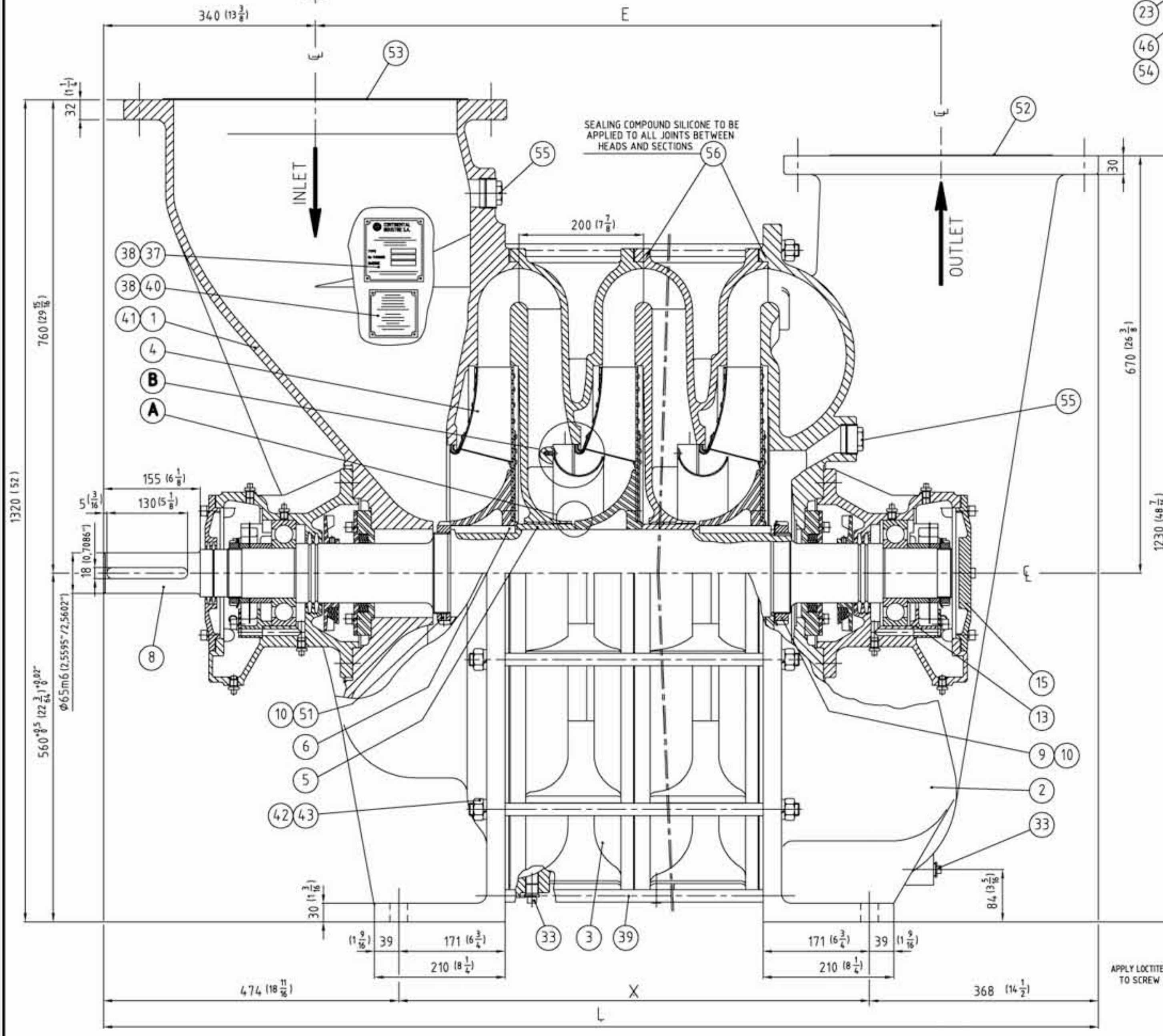
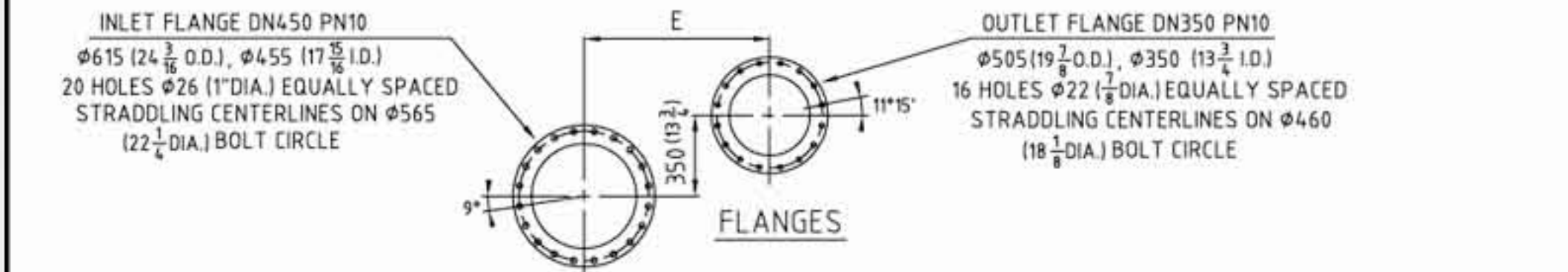
**INLET BEARING HOUSING DETAIL**



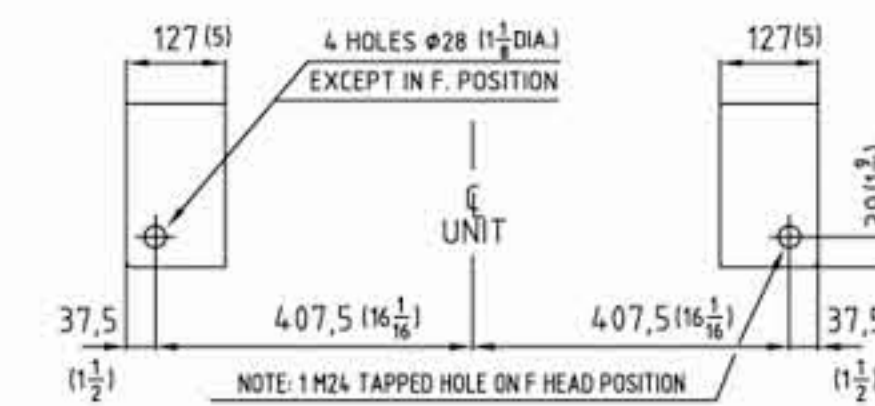
REV	DATE	E.D.N	BY	REVISIONS
0	10/09/2003		BD	ORIGINAL
1	19/04/2004		TF	CANCEL FLANGES
2	03/02/2005		TF	MODIF RETAINER, GRAPHIT RING

**Chart II IMPELLERS TYPE (ITEM 4)**

QTY.	PART NO.	IMPELLER TYPE	DWG.	WEIGHT: kg
	S.6004	N°8301 BC	400-04	12,7
	S.6005	N°8302 BC	400-05	12,3
	S.6006	N°8311 R	400-06	12,3
	S.6007	N°8312 R	400-09	12,3

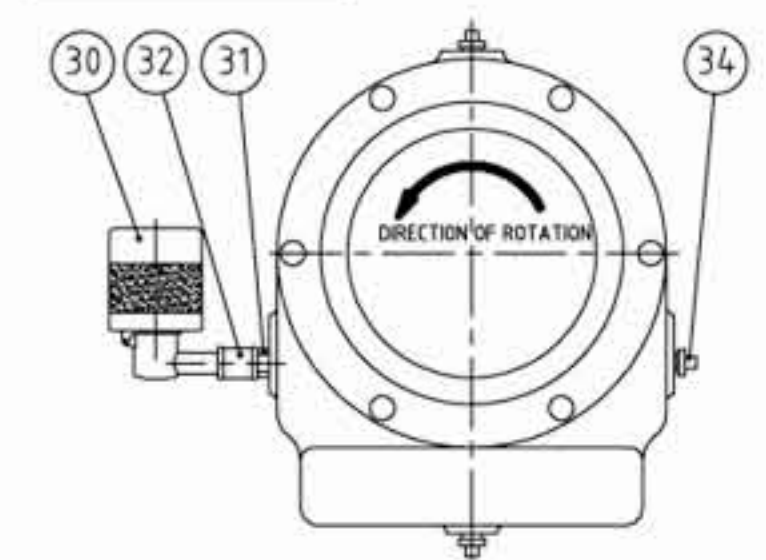


**FOOT DIMENSIONS, ALL HEADS**



**OILER POSITION**

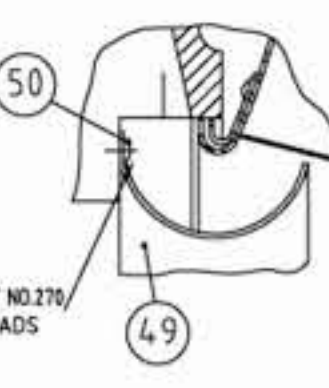
**CAUTION:**  
 THE OILER WILL BE ALWAYS POSITIONED THE SAME SIDE OF THE UNIT.



**DETAIL A**



**DETAIL B**



**Chart I TYPE**

TYPE	400.01	400.02	400.03	400.04
PART NO. ITEM 8	S.6011	S.6012	S.6013	S.6014
WEIGHT: kg, ITEM 8	54	78	102	126
PART NO. ITEM 39	S.1448	S.1449	S.1450	S.1451
WEIGHT: kg, ITEM 39	0,3	0,8	1,3	1,8
ITEM 3	0	1	2	3
ITEM 4	1	2	3	4
ITEM 5	0	1	2	3
ITEM 6	1	2	3	4
ITEM 33	1	2	3	4
ITEM 49	0	1	2	3
ITEM 50	0	7	14	21

DIMENSION	E	X	L
DIMENSION E	605 (23 7/8)	805 (31 3/4)	1005 (39 5/8)
DIMENSION X	356 (14)	556 (21 7/8)	756 (29 3/4)
DIMENSION L	1198 (47 1/8)	1398 (55 1/8)	1598 (62 9/16)
WEIGHT: kg	953	1253	1553
WEIGHT: LBS	2100	2762	3423

56	S.2523	SILICONE JOINT			
55	2	S.6027	PLUG PIPE, 1 1/2 GAS		
54	12	CHC M10-050	SCREW, CHC M10-50	050	C.STEEL 2,3
53	1	S.6498	COVER, PORT / DN450	050	C.STEEL 1
52	1	S.1428	COVER, PORT / DN350		
51	1	AHC M08-16	SCREW, AHC M8-16		S.STEEL
50	See chart I	GS M06-010	SCREW, GS M6-10		S.STEEL
49	See chart I	S.6076	BAFFLE	400-154	S.STEEL 1,9
48	12	CHC M10-025	SCREW, CHC M10-25		
47	12	CHC M10-045	SCREW, CHC M10-45		
46	36	W10	WASHER LOCK, W10		
45	4	AHC M08-010.PL	SCREW, AHC M8-10.PL		
44	16	H M20-040	SCREW, H M20-40		0,14
43	22	H M20	NUT, H20		
42	38	W20	WASHER LOCK, W20		
41	1	S.1802	VALVE WARNING PLATE	008	
40	1	S.1801	SURGE WARNING PLATE	092	ALUMINIUM
39	12	See chart I	TIE ROD	010	C.STEEL See chart I
38	8	CT02 89-008	RIVET, Ø2,89-8		C.STEEL
37	1	S.0216	NAME PLATE	284	ALUMINIUM
36	1	S.6026	KEY, COUPLING 18x11x130	003	C.STEEL 0,2
35	2	S.2581	PLUG PIPE, 1/4 GAS MAGNETIC		
34	8	S.0200	PLUG PIPE, 1/4 GAS		
33	See chart I	S.1427	PLUG PIPE, 1/2 GAS		
32	2	S.2580	NIPPLE, FF 1/4 GAS		
31	2	S.2579	NIPPLE, MM 1/4 GAS		
30	2	S.1423	OILER 1/4 GAS		0,4
29	2	S.6037	CAP, OIL RESERVOIR	400-26	C.STEEL
28					
27	4	S.6043	FAN GUARD, BEARING HOUSING	400-39	C.STEEL 0,1
26	2	S.1417	GASKET, BEARING CAP	250-16	
25	2	S.1422	NUT, KM16		0,4
24	2	S.1421	WASHER, MB16		
23	2	S.1411	SPACER, SHORT	250-14	C.STEEL 0,17
22	2	S.5833	OIL SLINGER	251-13	C.STEEL 0,15
21	2	S.1412	SPACER, LONG	250-14	C.STEEL 0,6
20	2	S.5807	BEARING, BALL 6316 C3		3,7
19	2	S.1410	FAN, COOLING	75-12	ALUMINIUM 0,3
18	2	S.1426	GRAPHIT RING		
17	2	S.1409	ADAPTER, GRAPHIT RING	250-12	ALUMINIUM 1
16	2	S.1408	RETAINER, GRAPHIT RING	250-12	ALUMINIUM 1,46
15	1	S.1404	CLOSED CAP, HOUSING BEARING	250-10	CAST IRON 4
14	1	S.1405	OPEN CAP, HOUSING BEARING	250-09	CAST IRON 3,2
13	1	S.6036	OIL RESERVOIR, OUTLET END	400-25	CAST IRON 1,8
12	1	S.6035	OIL RESERVOIR, INLET END	400-24	CAST IRON 2
11	2	S.5810	HOUSING, BEARING	400-07	CAST IRON 30
10	2	S.5830	NUT, KM26		0,9
9	1	S.5829	WASHER, MB26		
8	1	See chart I	SHAFT	400-11	C.STEEL See chart I
7	Variable	S.5808	SHIM, IMPELLER	006	C.STEEL
6	See chart I	S.6008	KEY, IMPELLER 14x12x104	003	C.STEEL 1,4
5	See chart I	S.5806	SPACER, IMPELLER	251-12	C.STEEL 3,15
4	See chart I	See chart II	IMPELLER	See chart II	ALUMINIUM See chart II
3	See chart I	S.6003	SECTION, INTERMEDIATE	400-03	CAST IRON 250
2	1	S.6002	HEAD, OUTLET	400-02	CAST IRON 4,15
1	1	S.6001	HEAD, INLET	400-01	CAST IRON 4,20

ITEM	QTY.	PART NO.	DESCRIPTION	DWG.	MATERIAL	WEIGHT: kg
<b>CONTINENTAL INDUSTRIE S.A</b>						
<b>TYPE 400A INLET END DRIVE</b>						
<b>SECTIONAL DRAWING 1 THRU 4 STAGES GRAPHIT RING SEAL</b>						
QUOTATION:	DR: BD	CHKD: DR				
ORDER No.:	19/04/2004	03/02/2005				
REVISIONS:						