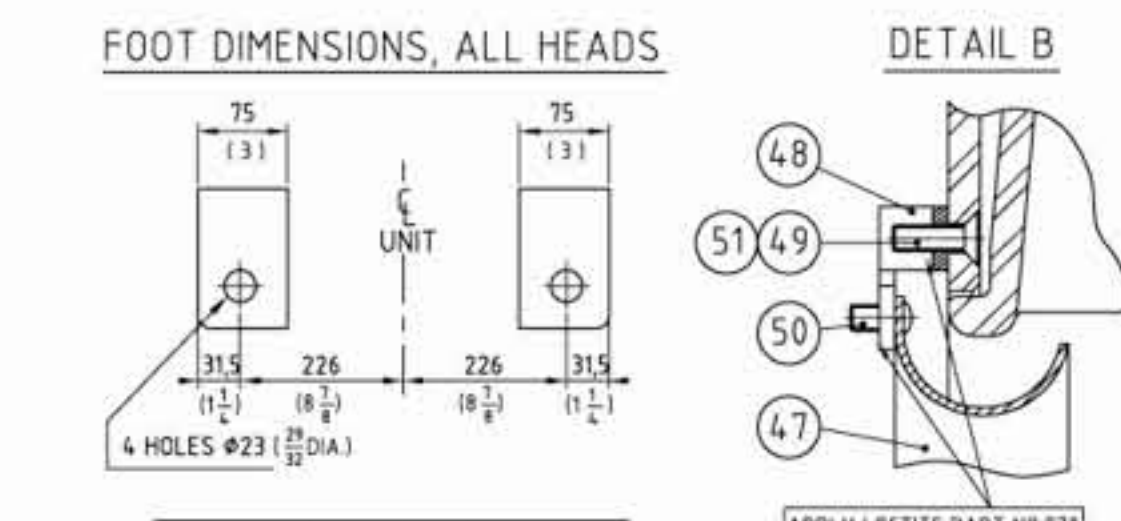
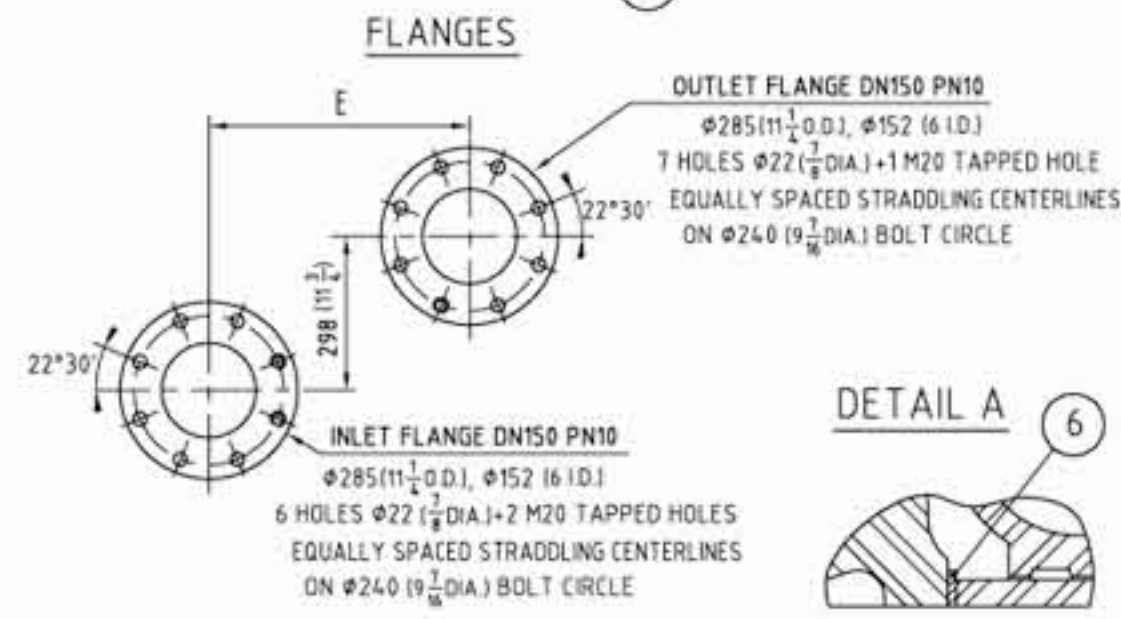
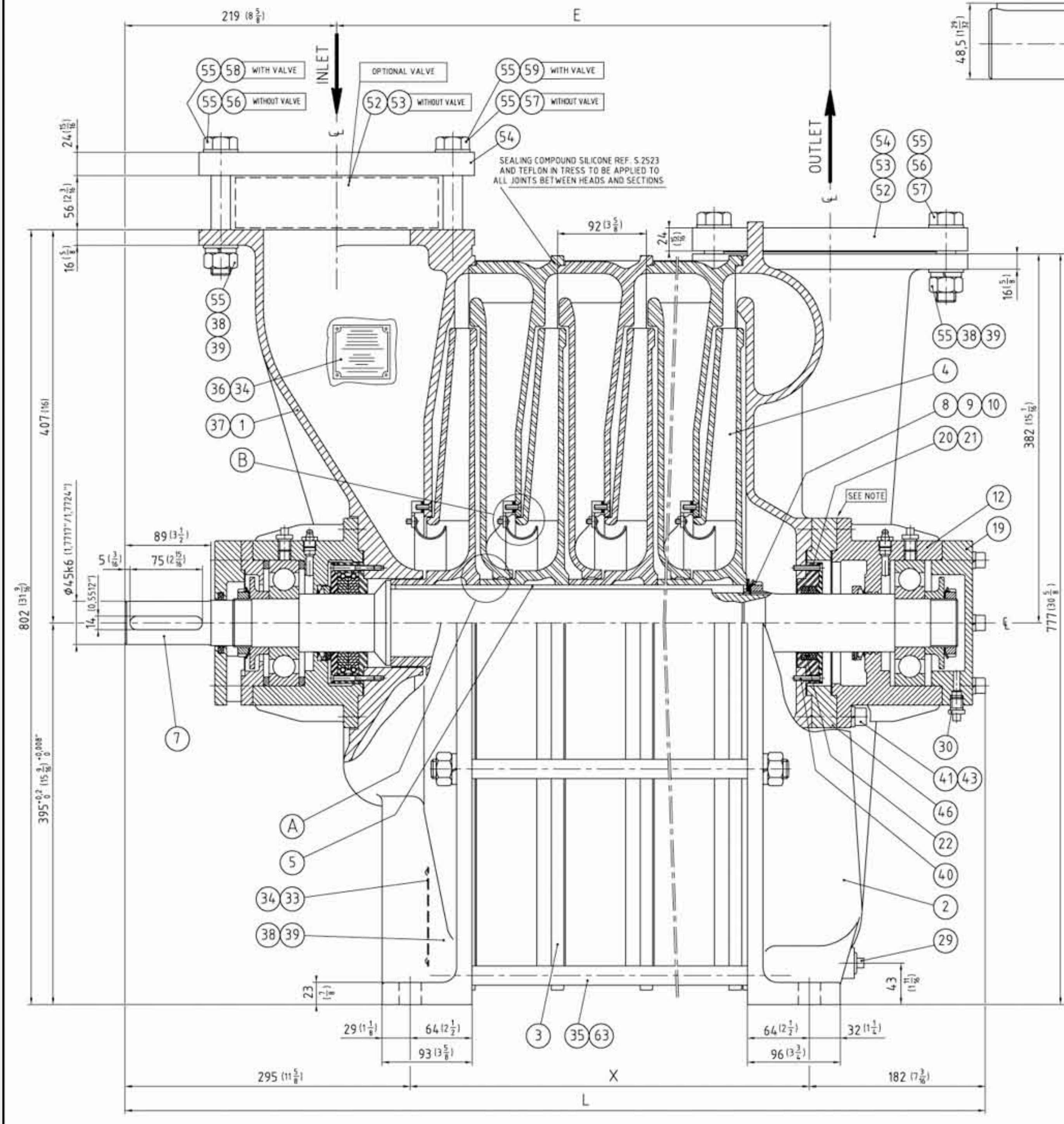


NOTES: - DIMENSIONS IN PARENTHESIS ARE IN INCHES.  
 - RECOMMENDED TIE ROD TORQUE: 30 F.T. LBS.  
 - USED GREASE SPECIFICATIONS: HP-ST 3  
 EQUIVALENT: ESSO: FIBRAX 280  
 ELF: MULTI PL 3  
 TOTAL: MULTIS TIR  
 SHELL: ALVANIA G3  
 UNIL: UNIL SR

REV	DATE	EDN	BY	REVISIONS
0	19/07/2000		DR	ORIGINAL
1	17/07/2002		DR	Modification nombre de tirants

NOTE: - SEALING COMPOUND SILICONE REF. S.2523 TO BE APPLIED TO ALL JOINTS BETWEEN OUTLET HEAD / SPACER, OUTLET HEAD / HOUSING, BEARING / CAP, BEARING-OUTLET END  
 - SEALING COMPOUND TEFLON AND LOCTITE ON GREASER, PLUG 1/4 GAS, AND SCREW M12-60 OUTLET SIDE.



ITEM 52	1	2
ITEM 53	1	2
ITEM 56	7	13
ITEM 57	1	3
ITEM 58	6	0
ITEM 59	2	0

QTY.	PART NO.	IMPELLER TYPE	DWG.
	S.4201	N°4202	51-03
	S.4904	N°4212	51-02

Chart I	TYPE	051.01	051.02	051.03	051.04	051.05	051.06	051.07	051.08
PART NO. ITEM 5	S.0827	S.0828	S.0829	S.0830	S.0831	S.0832	S.0833	S.4910	
PART NO. ITEM 7	S.0806	S.0808	S.0810	S.0812	S.0814	S.0816	S.0818	S.4920	
WEIGHT kg, ITEM 7	12,1	14,9	17,7	20,5	23,2	26	28,8	31,6	
PART NO. ITEM 35	S.1241	S.0645	S.1243	S.1247	S.0822	S.1248	S.1037	S.4911	
PART NO. ITEM 63	S.1241S	S.0645S	S.1243S	S.1247S	S.0822S	S.1248S	S.1037S	S.4911S	
ITEM 3	0	1	2	3	4	5	6	7	
ITEM 4	1	2	3	4	5	6	7	8	
ITEM 47	1	2	3	4	5	6	7	8	
ITEM 48	4	8	12	16	20	24	28	32	
ITEM 49	4	8	12	16	20	24	28	32	
ITEM 50	4	8	12	16	20	24	28	32	
DIMENSION E	234,5 (9 1/4)	326,5 (12 7/8)	418,5 (16 1/2)	510,5 (20 1/4)	602,5 (23 3/4)	694,5 (27 1/4)	786,5 (31)	878,5 (34 1/2)	
DIMENSION X	137 (5 3/8)	229 (9 1/4)	321 (12 5/8)	413 (16 1/4)	505 (19 7/8)	597 (23 5/8)	689 (27 1/4)	781 (30 3/4)	
DIMENSION L	614 (24 1/4)	706 (27 7/8)	798 (31 1/4)	890 (35 1/4)	982 (38 3/4)	1074 (42 1/4)	1166 (45 5/8)	1258 (49 1/2)	
WEIGHT kg	273	314	356	397	438	479	520	561	
WEIGHT LBS	601	692	784	875	965	1055	1146	1236	

63	2	See chart I	TIE ROD (short)	010	C STEEL	
62	6	AHC M04-08 I	SCREW, AHS M3-6			
61	2	S.4921	BUSHING/BOBIT VORRING-RING		CAST IRON	
60	2	S.4922	JOINT, W-RING			
59	See chart III	H M20-100	SCREW, H M20-100			
58	See chart III	H M20-130	SCREW, H M20-130			
57	See chart III	H M20-050	SCREW, H M20-50			
56	See chart III	H M20-080	SCREW, H M20-80			
55	29	M20	WASHER, M20			
54	2	S.0625	COMPANION FLANGE DN150 PN10		C STEEL	7,6
53	See chart III	S.0626	GASKET, FLANGE DN150	005		
52	See chart III	S.0624	COVER, PORT	050	C STEEL	
51	Variable	M05 I	WASHER, M5		S STEEL	
50	See chart I	GS M05-010 I	SCREW, GS M5-10		S STEEL	
49	See chart I	FHC M05-016 I	SCREW, FHC M5-16		S STEEL	
48	See chart I	S.0823	BRACKET, BAFFLE	50-20	S STEEL	
47	See chart I	S.0826	BAFFLE	50-12	S STEEL	
46	1	S.0803	SPACER, OUTLET HEAD	50-13	CAST IRON	4,3
45	12	CHC M10-050	SCREW, CHC M10-50			
44	12	W10	WASHER LOCK, W10			
43	6	CHC M12-060	SCREW, CHC M12-60			
42	6	CHC M12-035	SCREW, CHC M12-35			
41	12	W12	WASHER LOCK, W12			
40	6	FHC M05-030	SCREW, FHC M5-30			
39	27	H M20	NUT, H20			
38	27	W20	WASHER LOCK, W20			
37	1	S.1802	VALVE WARNING PLATE	008		
36	1	S.1801	SURGE WARNING PLATE	092	ALUMINIUM	
35	6	See chart I	TIE ROD (standard)	010	C STEEL	
34	8	CT02.89-008	RIVET, Ø2,89-8			
33	1	S.0216	NAME PLATE	284	ALUMINIUM	
32	1	S.0613	KEY, COUPLING 16x9x75	003	C STEEL	
31	2	S.0621	GREASER, 1/4 GAS			
30	3	S.0200	PLUG, 1/4 GAS			
29	1	S.1012	PLUG, 3/8 GAS			
28	1	S.0623	FELT JOINT Ø63x46x6			
27	2	S.0620	NUT, KM10			
26	2	S.0619	WASHER, MB10			
25	2	S.0610	GREASE SLINGER	30-20	C STEEL	
24	2	S.0611	SPACER, BEARING / HOUSING BEARING	30-18	C STEEL	
23	2	S.0617	BEARING, BALL 6410 C3 THT			1,95
22	2	S.0862	GRAPHIT RING			
21	1	S.0856	ADAPTER, GRAPHIT RING	50-36	ALUMINIUM	0,1
20	1	S.0855	RETAINER, GRAPHIT RING	50-36	ALUMINIUM	0,36
19	1	S.0879	CAP, BEARING-OUTLET END	50-49	C STEEL	4,5
18	1	S.0605	CAP, BEARING-INLET END	30-14	CAST IRON	3,1
17	1	S.0607	SPACER, BEARING/CAP	30-12	CAST IRON	1,7
16	6	FHC M05-045	SCREW, FHC M5-45			
15	2	S.0842	CARBON RING	50-29	CARBON	
14	1	S.0841	ADAPTER, CARBON RING	51-03	ALUMINIUM	0,15
13	1	S.0840	RETAINER, CARBON RING	51-03	ALUMINIUM	0,43
12	1	S.0881	HOUSING, BEARING OUTLET SIDE	51-83	CAST IRON	11
11	1	S.0868	HOUSING, BEARING INLET SIDE	50-26	CAST IRON	11
10	1	S.1222	NUT, KM13			
9	1	S.1221	WASHER, MB13			
8	2	S.4611	WAVY SPRING		C STEEL	
7	1	See chart I	SHAFT	50-08	C STEEL	See chart I
6	Variable	S.0668	SHIM, IMPELLER	006	C STEEL	
5	1	See chart I	KEY, IMPELLER	003	C STEEL	
4	See chart I	See chart II	IMPELLER	See chart II	ALUMINIUM	9
3	See chart I	S.4903 E	SECTION, INTERMEDIATE	51-01	ALUMINIUM	26
2	1	S.0602 E	HEAD, OUTLET	30-02	CAST IRON	96
1	1	S.0801 E	HEAD, INLET	50-01	CAST IRON	92

CONTINENTAL INDUSTRIE S.A		TYPE 051 RT INLET END DRIVE		ASSEMBLY: /	
S <sup>TRIVIER/MOIGNANS</sup> FRANCE		SECTIONAL DRAWING BIOGAS SEAL IMPROVED		DATE: 19/07/2000	
QUOTATION:		SCALE: A1		DWG No. REV.	
ORDER No.:	DR: DR	CHKD: BD	17/07/2002		
REVISIONS:				51-AB3A	1

This drawing is a property of Continental Industrie, FRANCE.