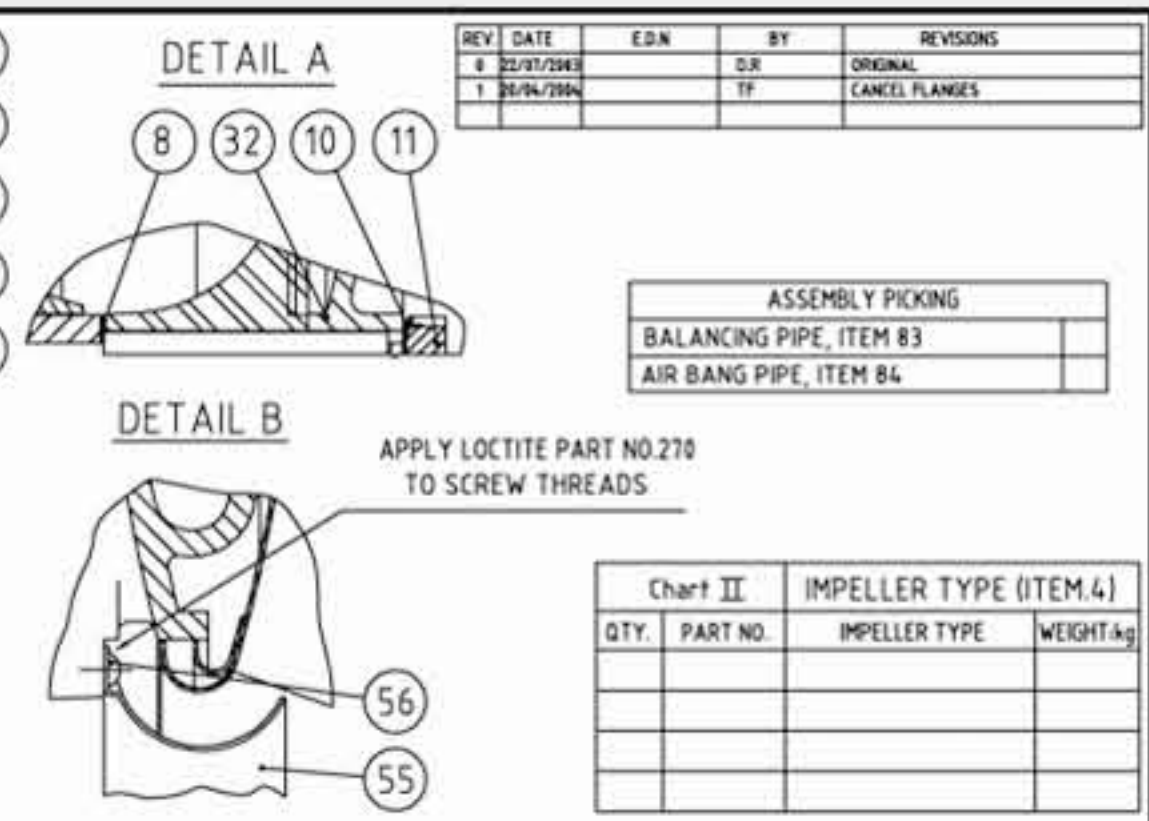
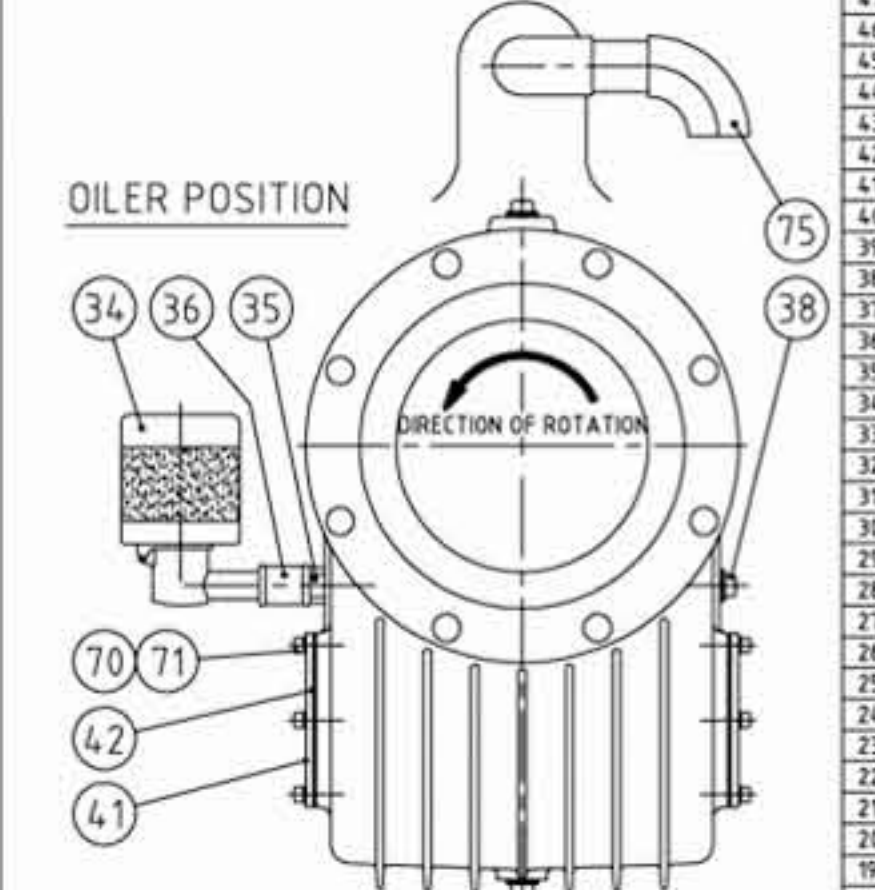
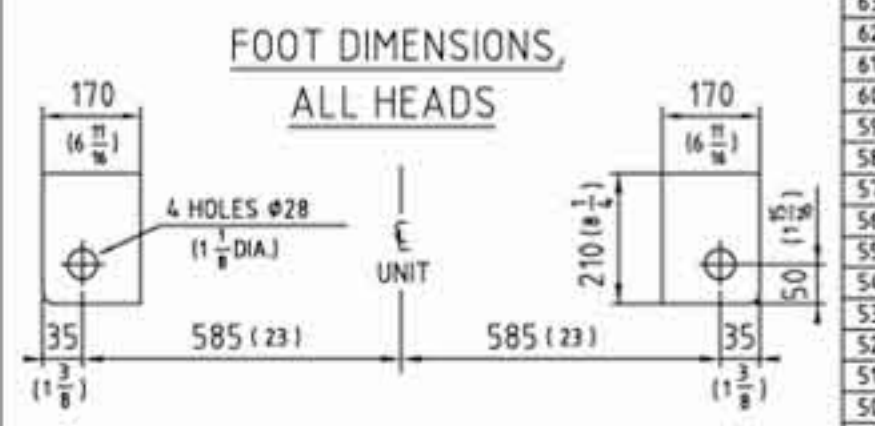
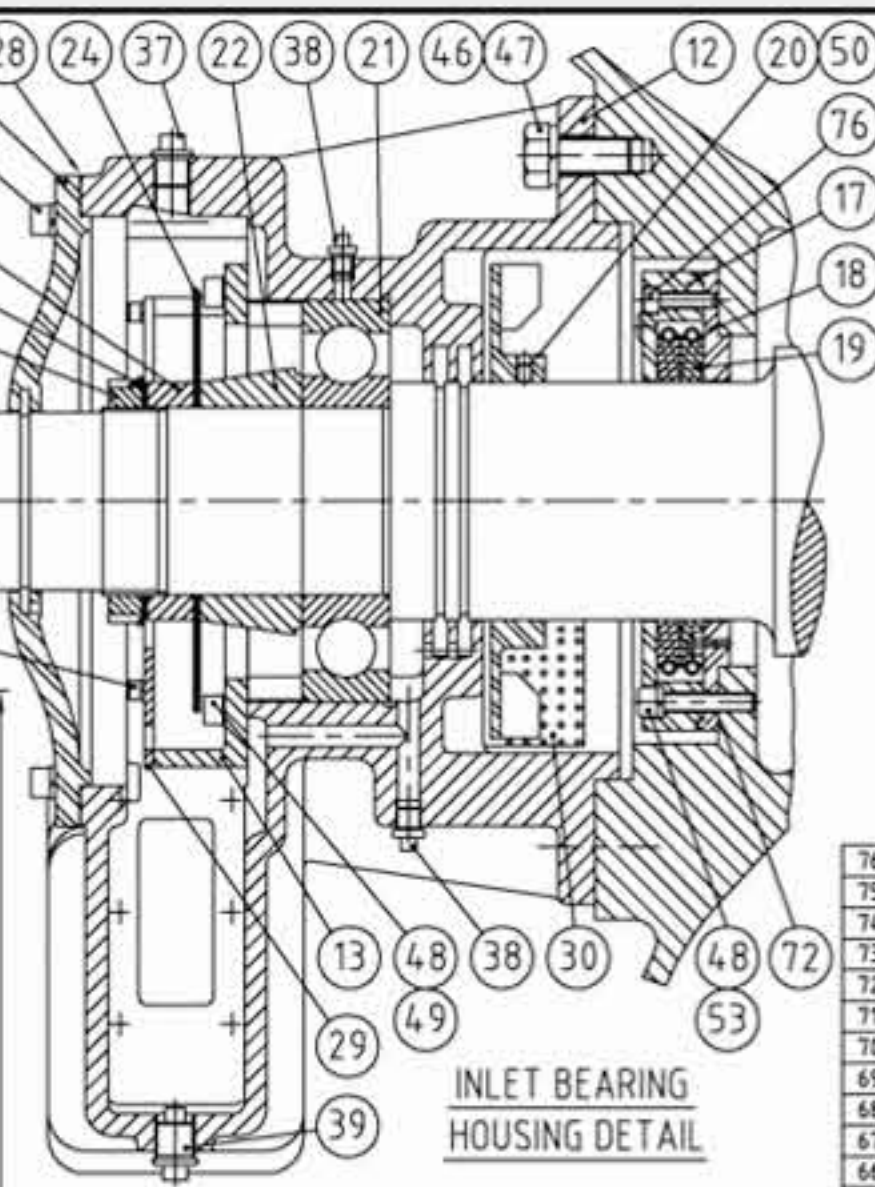
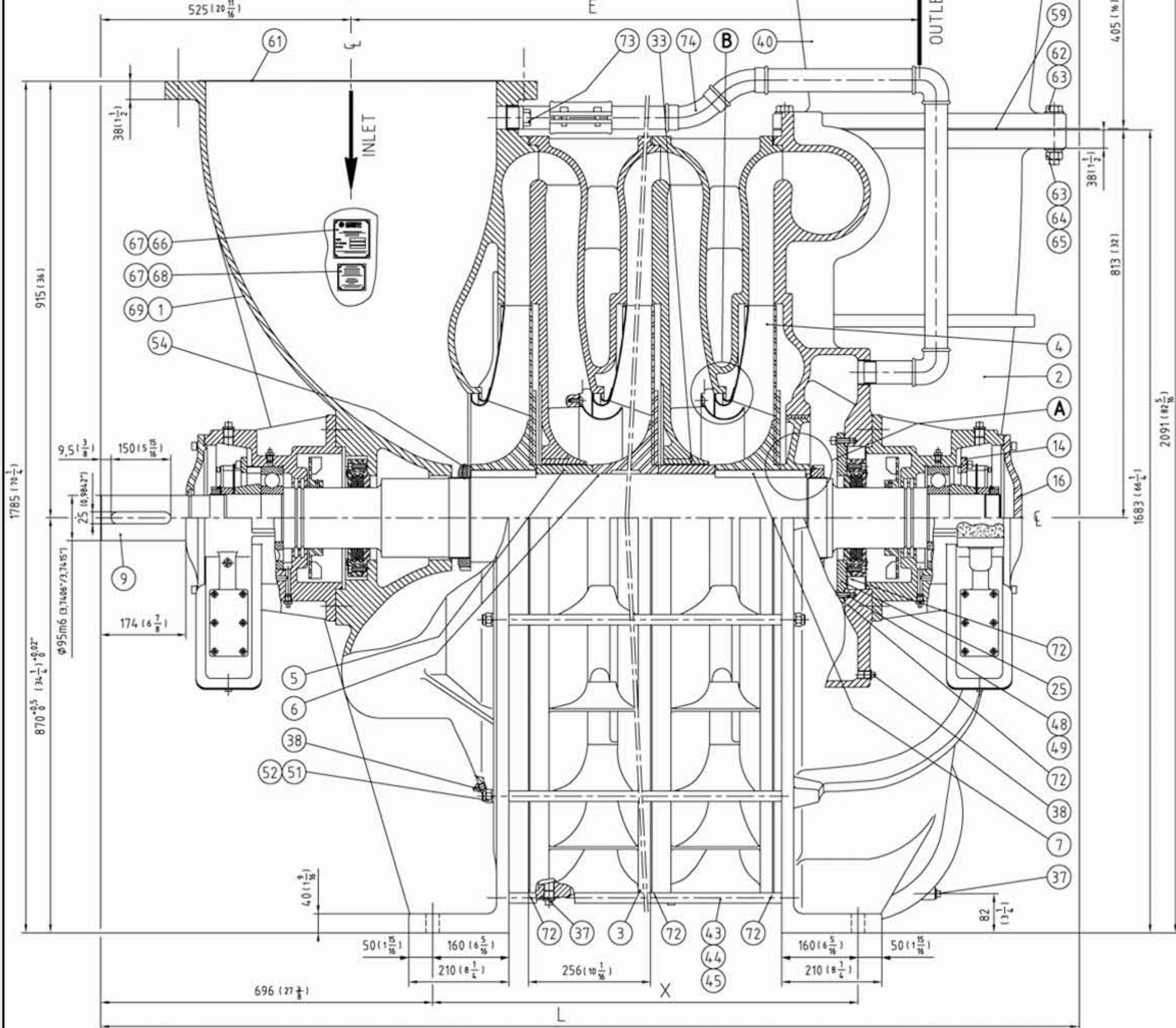
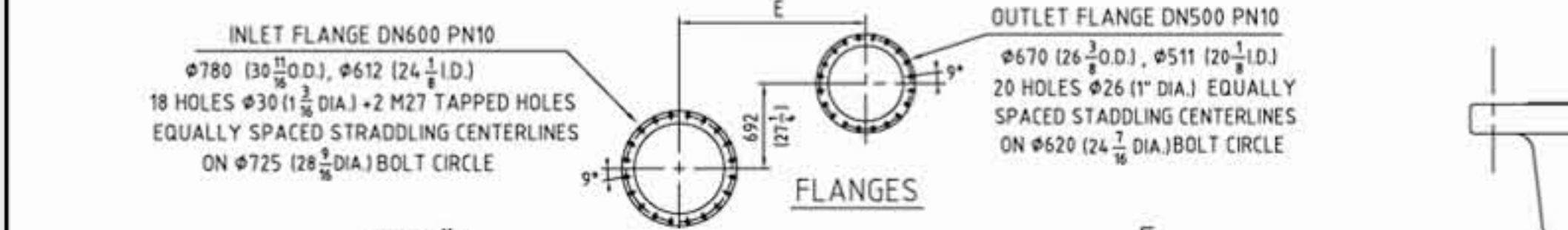


NOTES:
 -DIMENSIONS IN PARENTHESIS ARE IN INCHES.
 -RECOMMENDED TIE ROD TORQUE: 30 FT LBS.
 -OIL QUANTITY BY HOUSING BEARING: 5 LITERS.
 -USED OIL SPECIFICATION:
 JAROGEAR Z 150 Extreme oil pressure SERVICE API-GL5
 EQUIVALENT: ESSO SPARTAN EP 150
 ELF REDUCTELF SP 150
 TOTAL CARTER EP 150
 SHELL OMALA 150



QTY.	PART NO.	IMPELLER TYPE	WEIGHT (kg)	
76	4	CHC M08-030	SCREW, CHC M8-30	
75	1	S.6500	AIR BANG PIPE (OPTION)	
74	1	S.6501	BALANCING PIPE (OPTION)	
73	0 or 1	S.6027	PLUG, 1" 1/2 GAS	
72		S.2523	SILICONE JOINT	SILICONE
71	24	W08	WASHER LOCK, W8	
70	24	CHC M08-020	SCREW, CHC M8x020	
69	1	S.1802	VALVE WARNING PLATE	
68	1	S.1801	SURGE WARNING PLATE	ALUMINIUM
67	8	CT 02.89-008	RIVET, $\phi 2.89-8$	C.STEEL
66	1	S.0216	NAME PLATE	284 ALUMINIUM
65	40	H M24	NUT, H24	
64	20	W24	WASHER LOCK, W24	
63	40	M24	WASHER, M24	
62	20	H M24-110	SCREW, H M24-110	
61	1	S.6472	COVER, PORT / DN 600	C.STEEL 4
60	1	S.6471	COVER, PORT / DN 500	C.STEEL 2.9
59	1	S.6464	GASKET, FLANGE DN450	005
58	12	CHC M06-016	SCREW, CHC M6-16	
57	12	W06	WASHER LOCK, W6	
56	See chart I	GS M08-020	SCREW, GS M8-20	S.STEEL
55	See chart I	S.6585	BAFFLE, INTERMEDIATE SECTION	600-237 S.STEEL 1.6
54	1	AHC M08-030	SCREW, AHC M8-30	
53	12	CHC M10-050	SCREW, CHC M10-50	
52	19	H M22	NUT, H22	
51	19	W22	WASHER LOCK, W22	
50	4	AHC M08-210/PL	SCREW, M8-10, PL	
49	40	CHC M10-030	SCREW, CHC M10-30	
48	52	W10	WASHER LOCK, W10	
47	16	H M20-050	SCREW, H M20-50	
46	16	W20	WASHER LOCK, W20	
45	0 or 2	See chart I	TIE ROD	010 C.STEEL
44	7 or 4	See chart I	TIE ROD	010 C.STEEL
43	5 or 6	See chart I	TIE ROD	010 C.STEEL
42	4	S.6567	CAP, BEARING	600-181 ALUMINIUM
41	4	S.6554	GASKET, BEARING CAP	600-181 ALUMINIUM
40	1	S.6437	REDUCTION CONE DN500 / DN450 (OPTION)	600-30 CAST IRON 121
39	2	S.2748	PLUG, 1/2 GAS MAGNETIC	
38	8	S.0200	PLUG, 1/4 GAS	
37	See chart I	S.1427	PLUG, 1/2 GAS	
36	2	S.2580	NIPPLE, FF 1/4 GAS	
35	2	S.2579	NIPPLE, MM 1/4 GAS	
34	2	S.1423	OILER 1/4 GAS	
33	See chart I	S.6430F	BOSS, INTERMEDIATE SECTION	600-27 CAST IRON 5.8
32	1	S.6430F	DRUM, BALANCING	600-205 CAST IRON 21
31	1	S.6461	KEY, COUPLING 25x14x150	003 C.STEEL 0.41
30	4	S.6451	FAN GUARD, BEARING HOUSING	600-29 C.STEEL
29	2	S.6427	CAP, OIL RESERVOIR	600-15 ALUMINIUM
28	2	S.6422	GASKET, BEARING CAP	600-32
27	2	S.6473	NUT, KM20	
26	2	S.6474	WASHER, MB20	
25	1	S.6450	FLANGE, RETAINER SUPPORT	600-28 C.STEEL 11.8
24	2	S.6421	OIL SLINGER	600-13 ALUMINIUM
23	2	S.6415	SPACER, SHORT	600-18 C.STEEL 1
22	2	S.6416	SPACER, LONG	600-22 C.STEEL 2.8
21	2	S.6465	BEARING, BALL 6320 C3 THT	7.5
20	2	S.6428	FAN, COOLING	600-20 ALUMINIUM 1.2
19	4	S.6419	CARBON RING	600-17 CARBON
18	2	S.6420	ADAPTER, CARBON RING	600-14 ALUMINIUM 0.7
17	2	S.6418	RETAINER, CARBON RING	600-16 ALUMINIUM 1.7
16	1	S.6440	CAP, BEARING-OUTLET END	600-28 ALUMINIUM 3.5
15	1	S.6441	CAP, BEARING-INLET END	600-12 ALUMINIUM 3.2
14	1	S.6426	OIL RESERVOIR, OUTLET END	600-11 CAST IRON 5.5
13	1	S.6425	OIL RESERVOIR, INLET END	600-10 CAST IRON 6.6
12	2	S.6548	HOUSING, BEARING	600-16.6 CAST IRON 77
11	2	S.6466	NUT, KM34	C.STEEL 0.7
10	1	S.6467	WASHER, MB34	C.STEEL 0.1
9	1	See chart I	SHAFT	600-05 C.STEEL See chart I
8	Variable	S.6442	SHIM, IMPELLER	006 C.STEEL
7	1	S.6439	KEY, IMPELLER-DRUM, BALANCING 20x20x191	003 C.STEEL 0.6
6	See chart I	S.6438	KEY, IMPELLER 20x20x135	003 C.STEEL 0.42
5	See chart I	S.6413	SPACER, IMPELLER	600-23 C.STEEL 10
4	See chart I	See chart I	IMPELLER	See chart I ALUMINIUM See chart I
3	See chart I	S.6403S	SECTION, INTERMEDIATE	600-03 CAST IRON 720
2	1	S.6402	HEAD, OUTLET	600-02 CAST IRON 1080
1	1	S.6401	HEAD, INLET	600-01 CAST IRON 820

Chart I	TYPE	600.01	600.02	600.03	600.04	600.05	600.06
PART NO. ITEM 9	S.6407	S.6408	S.6409	S.6410	S.6411	S.6412	
WEIGHT kg, ITEM 9	153	206	259	312	365	418	
PART NO. ITEM 43	S.6431	S.6432	S.6433	S.6434	S.6435	S.6436	
PART NO. ITEM 44	S.6443	S.6444	S.6445	S.6446	S.6447	S.6448	
PART NO. ITEM 45	S.6486	S.6487	S.6488	S.6489	S.6490	S.6491	
QTY.	ITEM 3	0	1	2	3	4	5
	ITEM 4	1	2	3	4	5	6
	ITEM 5	0	1	2	3	4	5
	ITEM 6	1	2	3	4	5	6
	ITEM 33	0	1	2	3	4	5
	ITEM 37	3	4	5	6	7	8
	ITEM 55	0	1	2	3	4	5
	ITEM 56	0	7	14	21	28	35
DIMENSION E	680 (26 3/4)	936 (36 7/8)	1192 (46 9/16)	1448 (57 1/8)	1704 (67 1/8)	1960 (77 1/8)	
DIMENSION X	380 (14 9/16)	636 (25 1/8)	892 (35 1/8)	1148 (45 5/8)	1404 (55 1/8)	1660 (65 3/8)	
DIMENSION L	1540 (60 5/8)	1796 (70 5/8)	2052 (80 7/8)	2308 (90 7/8)	2564 (100 9/16)	2820 (111)	
WEIGHT : kg	2487	3332	4177	5022	5867	6712	
WEIGHT : LBS	5481	7344	9206	11068	12931	14793	

CONTINENTAL INDUSTRIE S.A

TYPE 600A INLET END DRIVE

SECTIONAL DRAWING CARBON RING SEAL

ASSEMBLY: /

DATE: 22/07/2003

SCALE: /

SIZE: /

QUOTATION

ORDER No. DR: BD ENVD, DR

REVISIONS: 20/04/2004

DWG No. REV. 600A-AC1A 1

This drawing is a property of Continental Industrie, FRANCE