

NOTES:
 -DIMENSIONS IN PARENTHESIS ARE IN INCHES.
 -RECOMMENDED TIE ROD TORQUE: 30 F.T LBS.
 -OIL QUANTITY BY HOUSING BEARING 5 liters.
 -USED OIL SPECIFICATION
 JAROGEAR Z.150 Extreme oil pressure SERVICE API-GL5
 EQUIVALENT: ESSO SPARTAN EP 150
 ELF REDUCTELF SP 150
 TOTAL CARTER EP 150

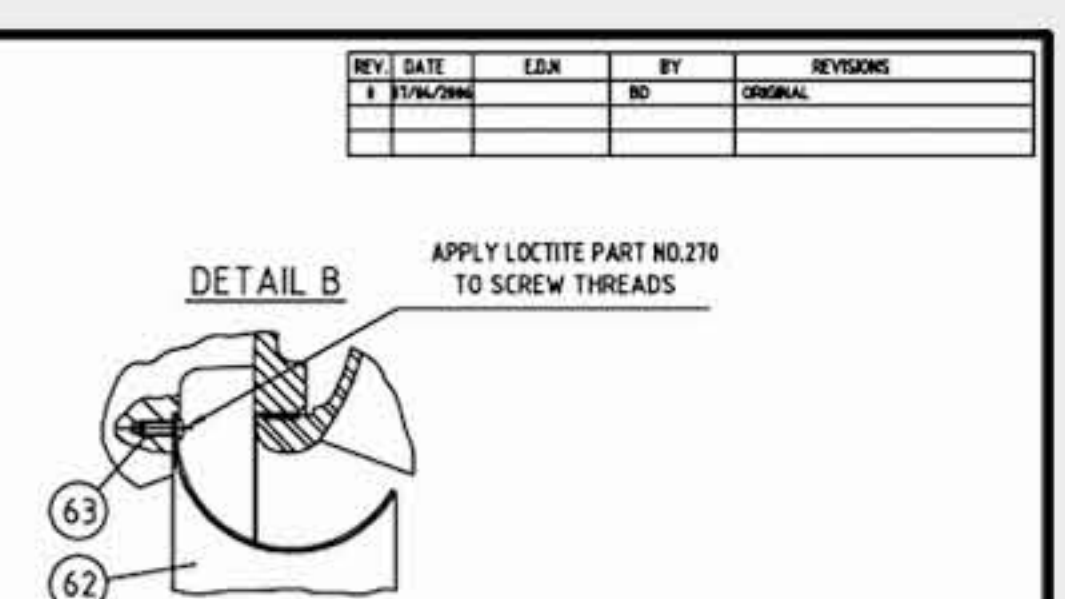
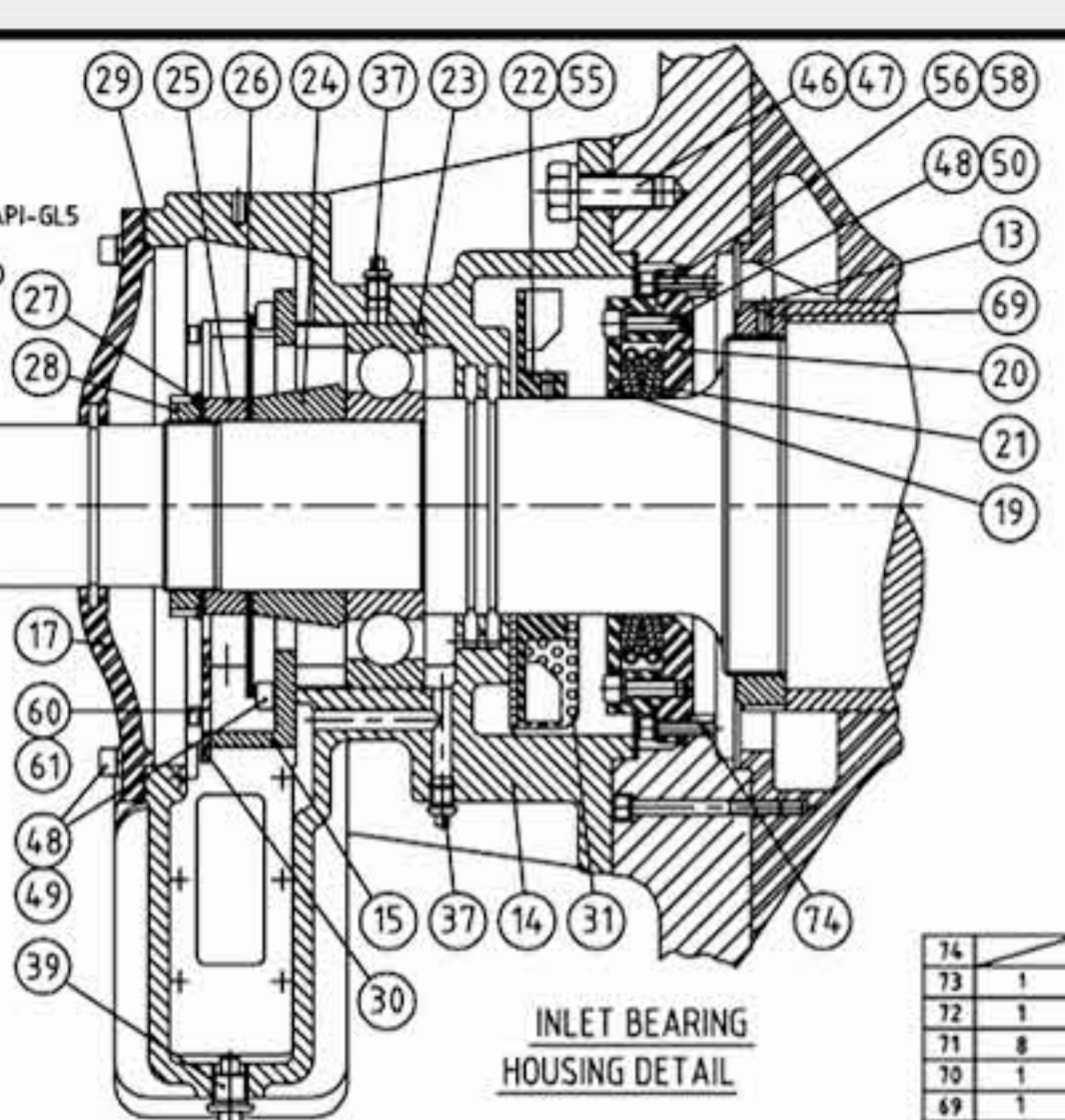


Chart II		IMPELLER TYPE (ITEM 4)	
QTY.	PART NO.	IMPELLER TYPE	WEIGHT kg
	S.7005	B.202	700-05 4.2
	S.7006	B.211	700-06 4.2
	S.7025	B.212	700-17 4.2
	S.7026	B.213	700-18 4.2

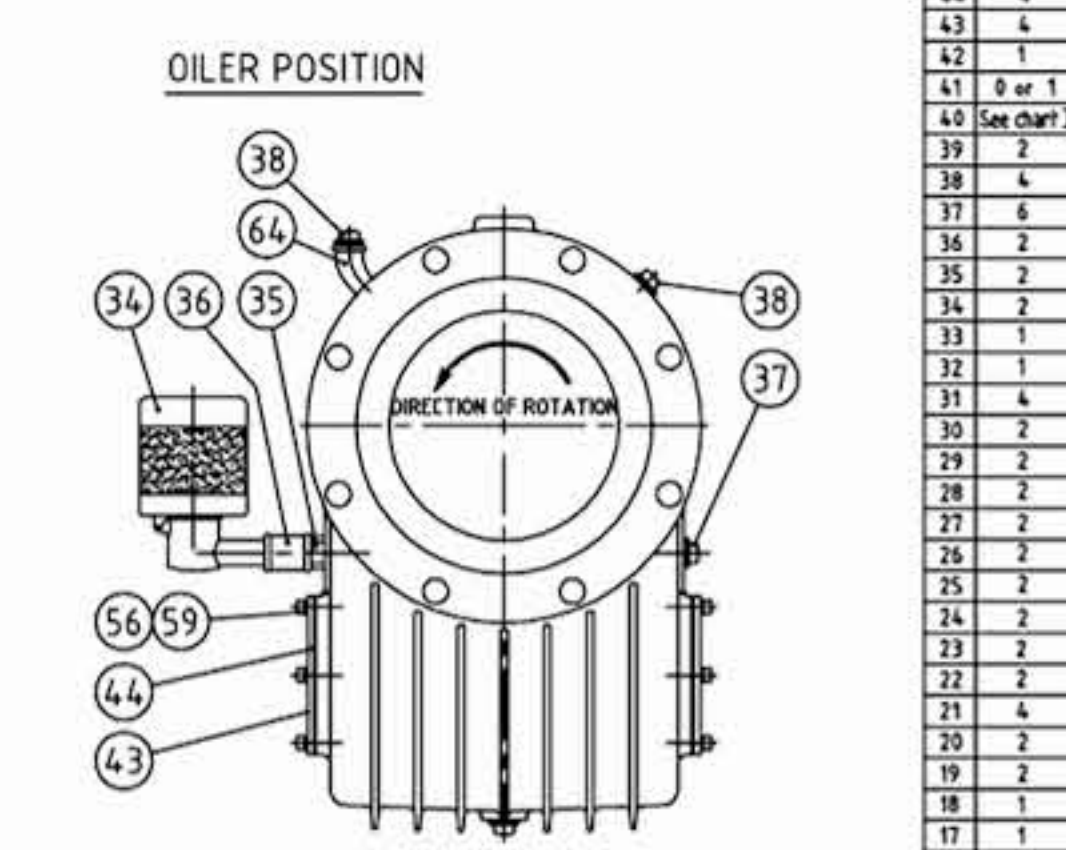
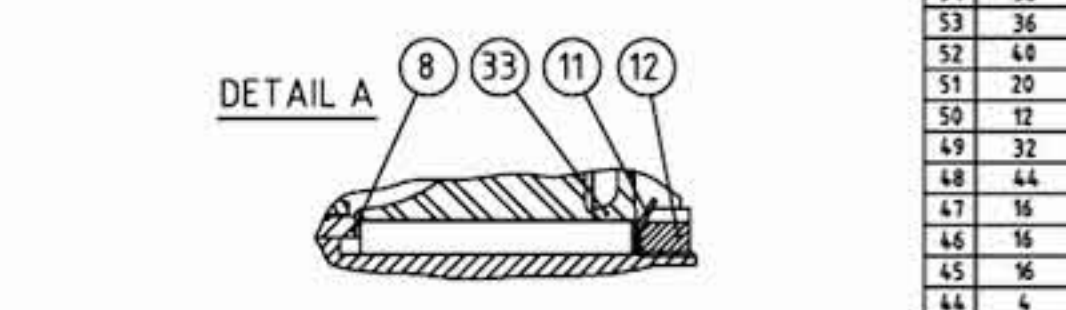
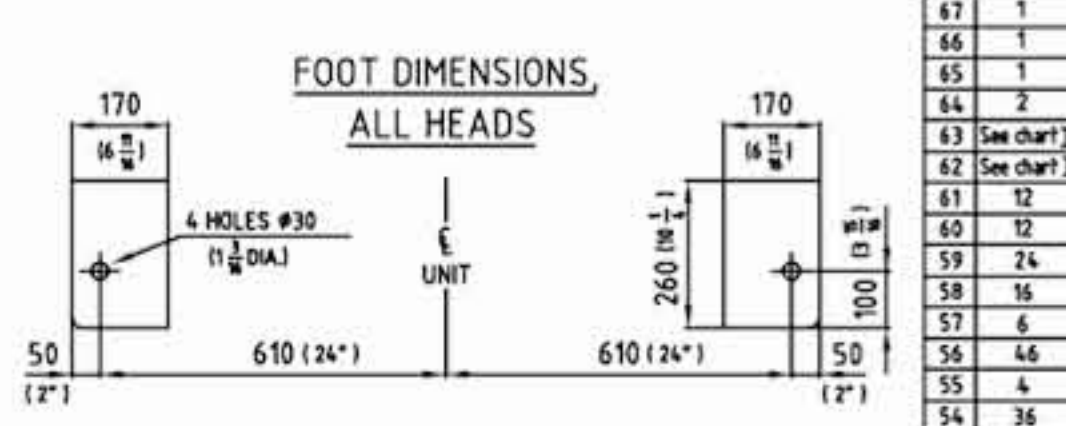
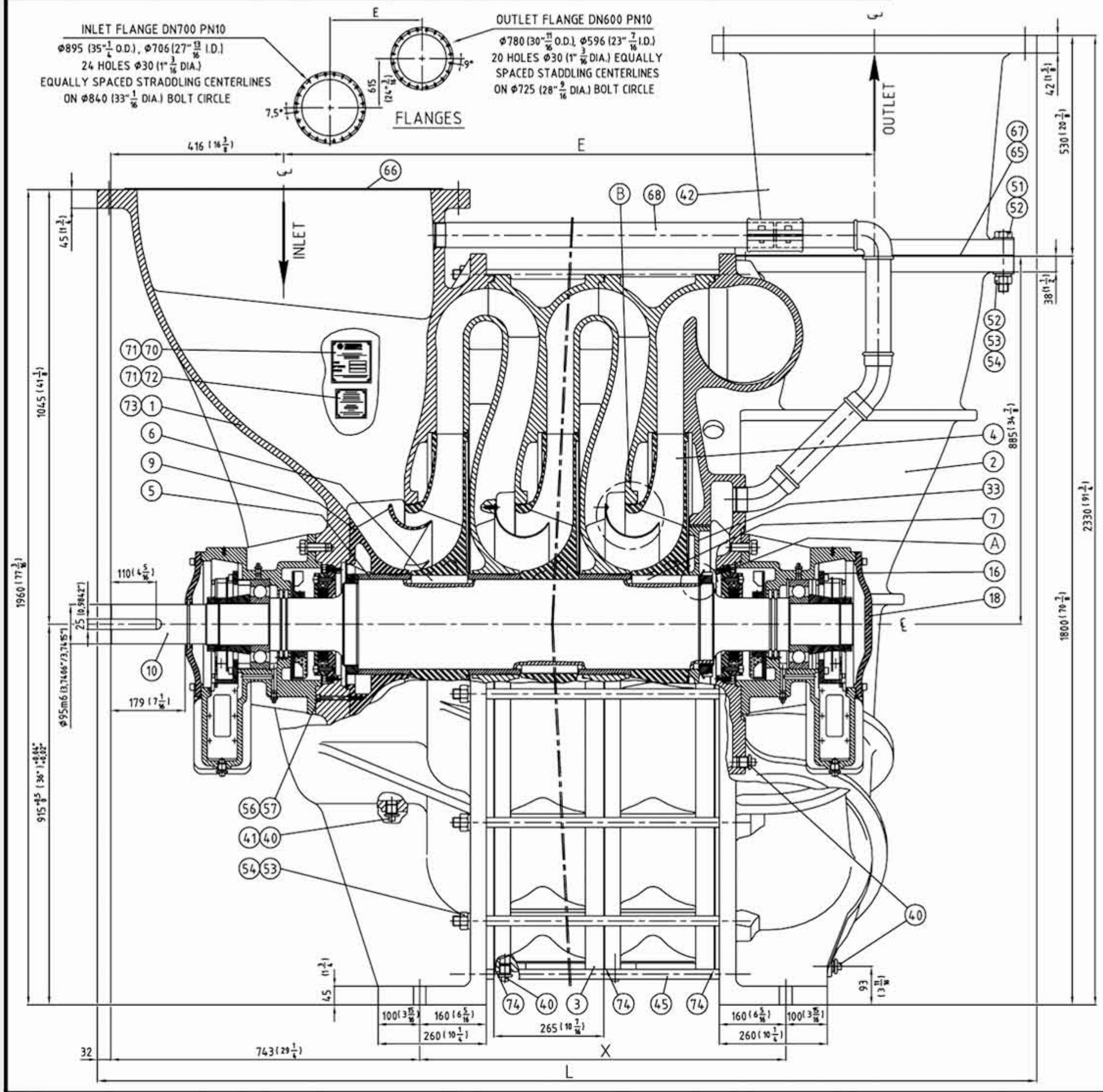


Chart I	TYPE	700.01	700.02	700.03	700.04	700.05	700.06
PART NO. ITEM 10	S.7007/1	S.7007/2	S.7007/3	S.7007/4	S.7007/5	S.7007/6	S.7007/7
WEIGHT kg, ITEM 10	169	245	321	397	473	549	
PART NO. ITEM 45	S.7019/1	S.7019/2	S.7019/3	S.7019/4	S.7019/5	S.7019/6	
WEIGHT kg, ITEM 45	0,58	1,52	2,47	3,41	4,35	5,29	
QTY.	ITEM 3	0	1	2	3	4	5
	ITEM 4	1	2	3	4	5	6
	ITEM 5	1	2	3	4	5	6
	ITEM 6	0	1	2	3	4	5
	ITEM 40	4	5	6	7	8	9
	ITEM 62	0	1	2	3	4	5
	ITEM 63	0	9	18	27	36	45
DIMENSION E	890 (35 1/8)	1155 (45 5/8)	1420 (55 7/8)	1685 (66 3/8)	1950 (76 3/4)	2215 (87 1/4)	
DIMENSION X	350 (13 3/4)	615 (24 1/8)	880 (34 5/8)	1145 (45 1/8)	1410 (55 1/2)	1675 (65 7/8)	
DIMENSION L	1728 (68)	1993 (78 1/2)	2258 (88 7/8)	2523 (99 3/4)	2788 (109 3/4)	3053 (120 1/4)	
WEIGHT : kg	3370	4590	5810	7030	8250	9470	
WEIGHT : LBS	7427	10116	12805	15494	18183	20872	

74	1	S.2523	SILKONE JOINT		SILICONE	
73	1	S.1802	VALVE WARNING PLATE			
72	1	S.1801	SURGE WARNING PLATE		ALUMINIUM	
71	8	CT 02 89-008	RIVET, #2,89-8		C.STEEL	
70	1	S.0216	NAME PLATE	284	ALUMINIUM	
69	1	AHC M08-016	SCREW, AHC M8-16			
68	1	S.7017	BALANCING PIPE			10 to 18
67	1	S.6471	COVER, PORT / DN 600		C.STEEL	4
66	1	S.7023	COVER, PORT / DN 700		C.STEEL	5.3
65	1	S.6443	GASKET, FLANGE DNS00	005		
64	2	S.2946	ELBOW 45° MFI/2G			
63	See chart I	GS M08-050	SCREW, GS M8-50		S.STEEL	
62	See chart I	S.7011	BAFFLE, INTERMEDIATE SECTION	700-11	S.STEEL	5.5
61	12	CHC M06-016	SCREW, CHC M6-16			
60	12	W06	WASHER LOCK, W6			
59	24	CHC M08-020	SCREW, CHC M8-20			
58	16	CHC M08-030	SCREW, CHC M8-30			
57	6	CHC M08-050	SCREW, CHC M8-50			
56	46	W08	WASHER LOCK, W8			
55	4	AHC M08-010 PL	SCREW, M8-10, PL			
54	36	H M24	NUT, M24			0,1
53	36	W24	WASHER LOCK, W24			
52	40	M24	WASHER, M24			
51	20	H M24-130	SCREW, H M24-130			0,51
50	12	CHC M10-035	SCREW, CHC M10-35			
49	32	CHC M10-030	SCREW, CHC M10-30			
48	44	W10	WASHER LOCK, W10			
47	16	H M20-050	SCREW, H M20-50			0,18
46	16	W20	WASHER LOCK, W20			
45	16	See chart I	TIE ROD	010	C.STEEL	See chart I
44	4	S.6567	CAP, BEARING	600-181	ALUMINIUM	0,26
43	4	S.6554	GASKET, BEARING CAP	600-152		
42	1	S.7010	REDUCTION CONE DN600 / DNS00	700-10	CAST IRON	196
41	0 or 1	S.6499	PLUG, 2" GAS			0,38
40	See chart I	S.6472	PLUG, 3/4 GAS			
39	2	S.2748	PLUG, 1/2 GAS MAGNETIC			
38	4	S.1627	PLUG, 1/2 GAS			
37	6	S.0208	PLUG, 1/4 GAS			
36	2	S.2580	NIPPLE, FF 1/4 GAS			
35	2	S.2579	NIPPLE, MM 1/4 GAS			
34	2	S.1623	OILER 1/4 GAS			0,28
33	1	S.7009	DRUM, BALANCING	700-09	CAST IRON	19,5
32	1	S.7024	KEY, COUPLING 25x14x110	003	C.STEEL	0,28
31	4	S.6451	FAN GUARD, BEARING HOUSING	600-29	C.STEEL	0,15
30	2	S.6427	CAP, OIL RESERVOIR	600-15	ALUMINIUM	0,43
29	2	S.6422	GASKET, BEARING CAP	600-32		
28	2	S.6473	NUT, KM20			0,7
27	2	S.6474	WASHER, MB20			0,1
26	2	S.6421	OIL SLINGER	600-13	ALUMINIUM	0,28
25	2	S.6415	SPACER, SHORT	600-18	C.STEEL	1
24	2	S.6416	SPACER, LONG	600-22	C.STEEL	2,8
23	2	S.6465	BEARING, BALL 6320 C3			7,5
22	2	S.6428	FAN, COOLING	600-20	ALUMINIUM	1,2
21	4	S.6419	CARBON RING	600-17	CARBON	
20	2	S.7014	SUPPORT ADAPTER, CARBON RING	700-14	ALUMINIUM	2,2
19	2	S.6418	RETAINER, CARBON RING	600-16	ALUMINIUM	1,7
18	1	S.6440	CAP, BEARING-OUTLET END	600-08	ALUMINIUM	3,5
17	1	S.6441	CAP, BEARING-INLET END	600-12	ALUMINIUM	3,2
16	1	S.6426	OIL RESERVOIR, OUTLET END	600-11	CAST IRON	5,5
15	1	S.6425	OIL RESERVOIR, INLET END	600-19	CAST IRON	6,6
14	2	S.6548	HOUSING, BEARING	600-146	CAST IRON	77
13	1	S.70225	NUT, KM40		C.STEEL	3,5
12	1	S.7022	NUT, KM40		C.STEEL	3,7
11	1	S.7021	WASHER, MB34		C.STEEL	0,3
10	1	See chart I	SHAFT	700-07	C.STEEL	See chart I
9	1	S.7008	HUB WITH BAFFLE, INLET HEAD	700-08	ALUMINIUM	18,8
8	Variable	S.7018	SHM, IMPELLER	006	C.STEEL	
7	1	S.7020	KEY, IMPELLER-DRUM, BALANCING 20x20x160	003	C.STEEL	0,5
6	See chart I	S.6438	KEY, IMPELLER 20x20x135	003	C.STEEL	0,42
5	See chart I	S.7013	SPACER, IMPELLER	700-13	C.STEEL	8,7
4	See chart I	See chart I	IMPELLER	See chart I	ALUMINIUM	See chart I
3	See chart I	S.7003	SECTION, INTERMEDIATE	700-03	CAST IRON	1070
2	1	S.7002	HEAD, OUTLET	700-02	CAST IRON	1315
1	1	S.7001	HEAD, INLET	700-01	CAST IRON	1370

CONTINENTAL INDUSTRIE S.A. TYPE 700 INLET END DRIVE

SECTIONAL DRAWING CARBON RING SEAL

DATE: 07/04/2006

SCALE: 1:1

DR: BD

CHKD: DR

DWG No. 700-AC1A

REV. 0