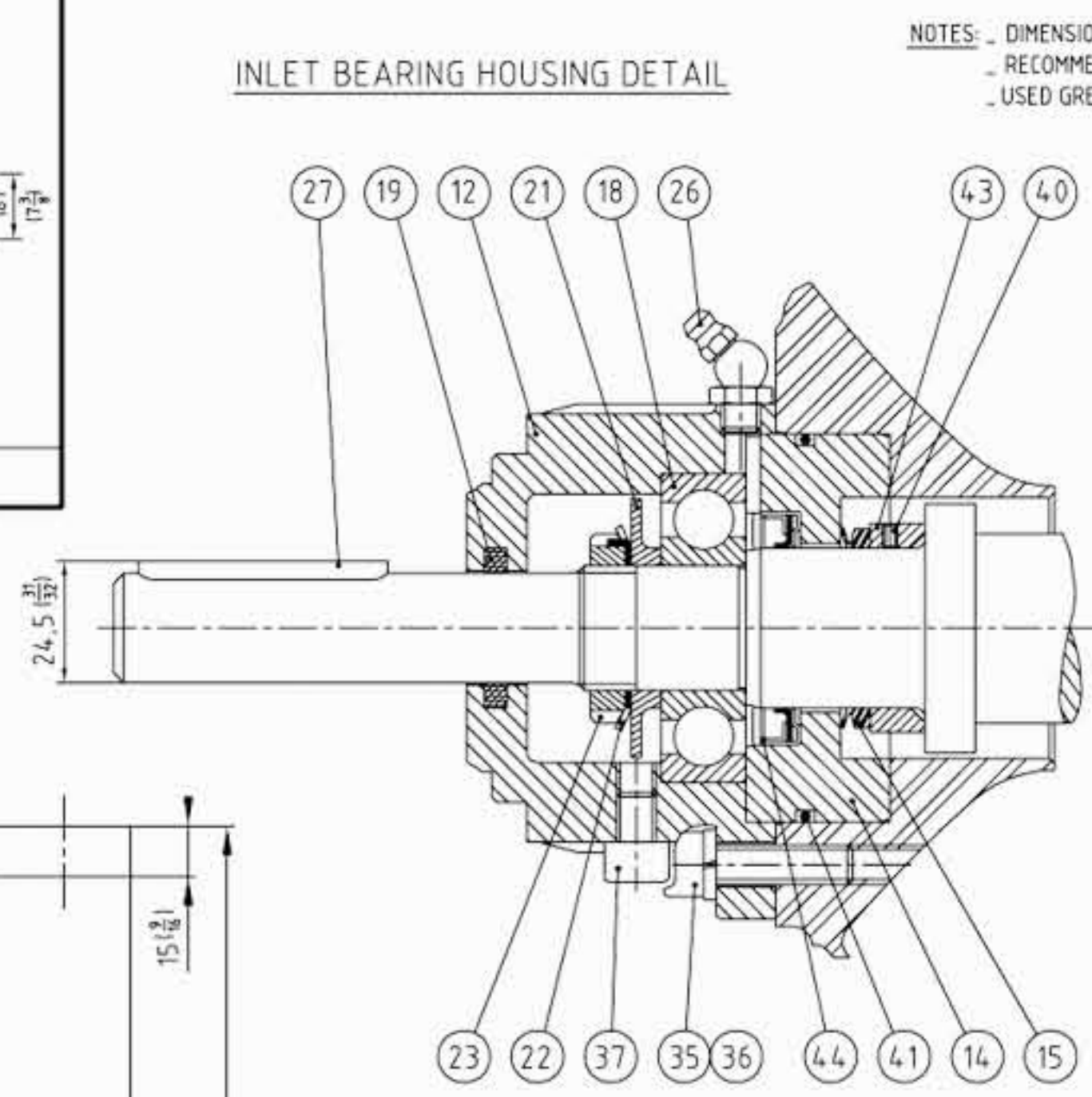


INLET BEARING HOUSING DETAIL

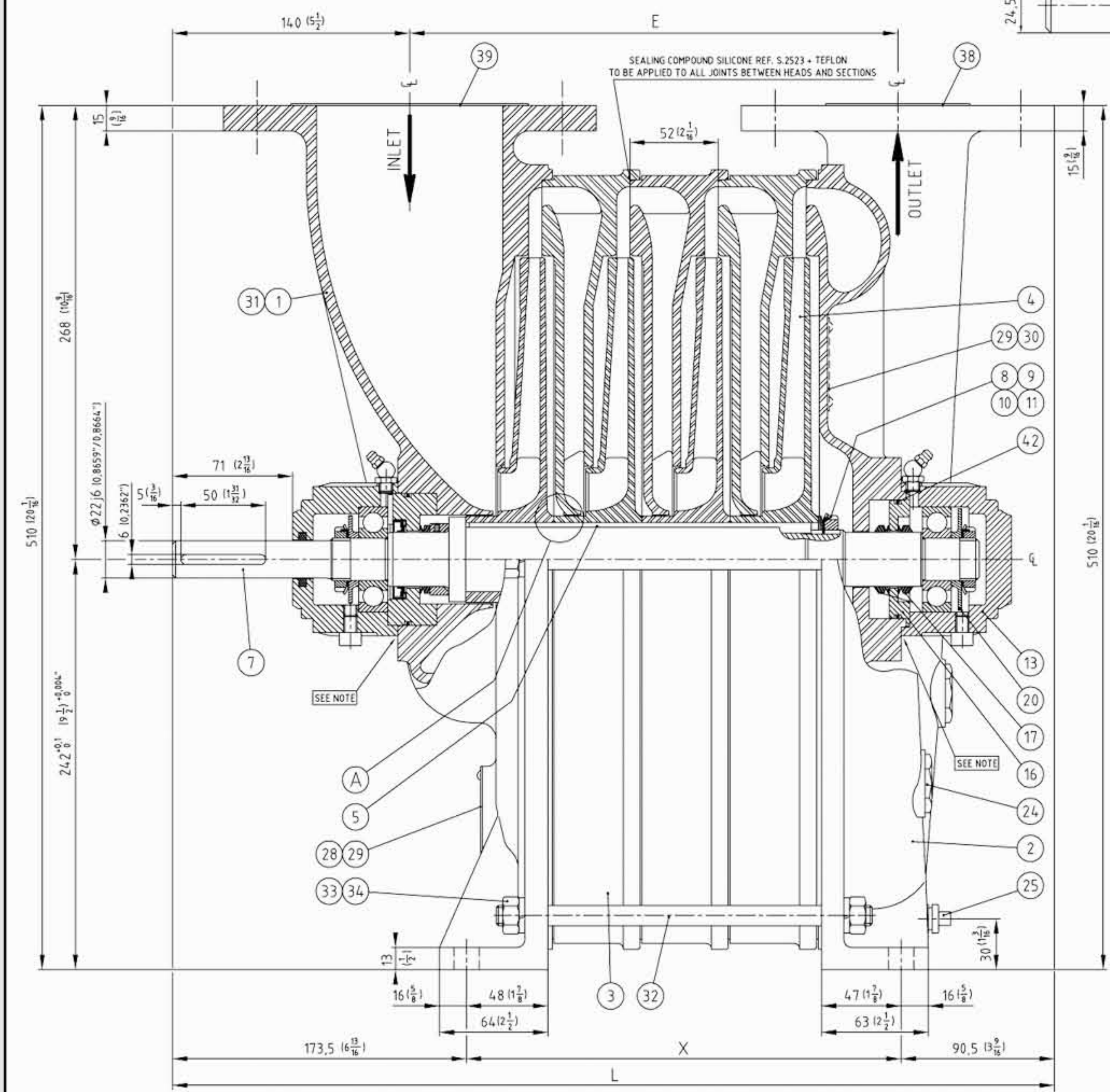


NOTES: DIMENSIONS IN PARENTHESIS ARE IN INCHES.  
 - RECOMMENDED TIE ROD TORQUE: 15 F.T. LBS.  
 - USED GREASE SPECIFICATIONS: HP-ST 3  
 EQUIVALENT: ESSO: BEACON 3  
 ELF: ROLEXA 3  
 TOTAL: MULTIS TIR  
 SHELL: ALVANIA EP3  
 MOBIL: MOBILUX EP3

REV	DATE	EDN	BY	REVISIONS
0	02/06/2009		D.R	ORIGINAL

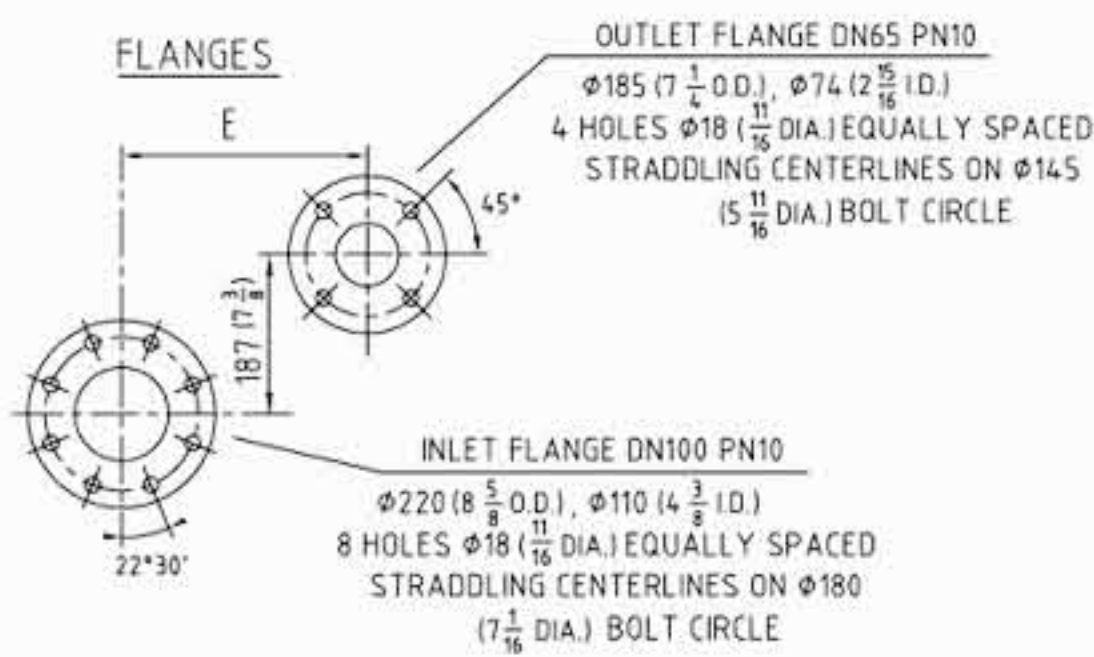
Chart II			
IMPELLER TYPE (ITEM 4)			
QTY	PART NO.	IMPELLER TYPE	DWG
	S.4006	N°1201 (1 thru 8 stages)	8-08
	S.4007	N°1201 (9 and 10 stages)	8-08
	S.4004	N°1211 (1 thru 8 stages)	8-04
	S.4005	N°1211 (9 and 10 stages)	8-04

Chart I	TYPE	008.01	008.02	008.03	008.04	008.05	008.06	008.07	008.08	008.09	008.10
PART NO. ITEM 5	S.0247	S.0268	S.0269	S.0270	S.0271	S.0272	S.0273	S.0274	S.0275	S.0276	
PART NO. ITEM 6	S.0309	S.0309	S.0309	S.0309	S.0309	S.0309	S.0309	S.0309	S.0310	S.0310	
PART NO. ITEM 7	S.4051/1	S.4051/2	S.4051/3	S.4051/4	S.4051/5	S.4051/6	S.4051/7	S.4051/8	S.4051/9	S.4051/10	
WEIGHT: kg, ITEM 7	1,78	2,24	2,7	3,16	3,63	4,09	4,55	5,02	6,64	7,23	
PART NO. ITEM 32	HM12-660	S.0249	S.0250	S.0251	S.0252	S.0253	S.0254	S.0255	S.0256	S.0257	
QTY.	ITEM 3	0	1	2	3	4	5	6	7	8	9
	ITEM 4	1	2	3	4	5	6	7	8	9	10
	ITEM 11	0	0	0	0	0	0	0	0	1	1
	ITEM 34	6	12	12	12	12	12	12	12	12	12
DIMENSION E		132 (5 1/4)	184 (7 1/4)	236 (9 3/8)	288 (11 3/8)	340 (13 3/8)	392 (15 3/8)	444 (17 3/8)	496 (19 3/8)	548 (21 3/8)	600 (23 3/8)
DIMENSION X		100,5 (3 5/8)	152,5 (6)	204,5 (8 1/8)	256,5 (10 1/8)	308,5 (12 1/8)	360,5 (14 1/8)	412,5 (16 1/8)	464,5 (18 1/8)	516,5 (20 1/8)	568,5 (22 1/8)
DIMENSION L		364,5 (14 3/8)	416,5 (16 3/8)	468,5 (18 3/8)	520,5 (20 3/8)	572,5 (22 3/8)	624,5 (24 3/8)	676,5 (26 3/8)	728,5 (28 3/8)	780,5 (30 3/8)	832,5 (32 3/8)
WEIGHT: kg		29	39	49	59	69	79	89	99	110	120
WEIGHT: LBS		64	86	108	130	152	174	196	218	242	264

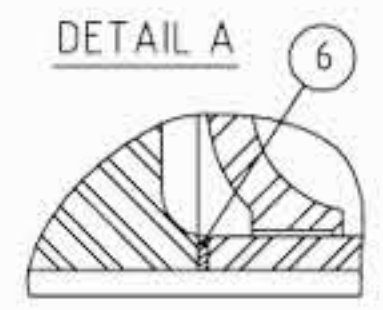
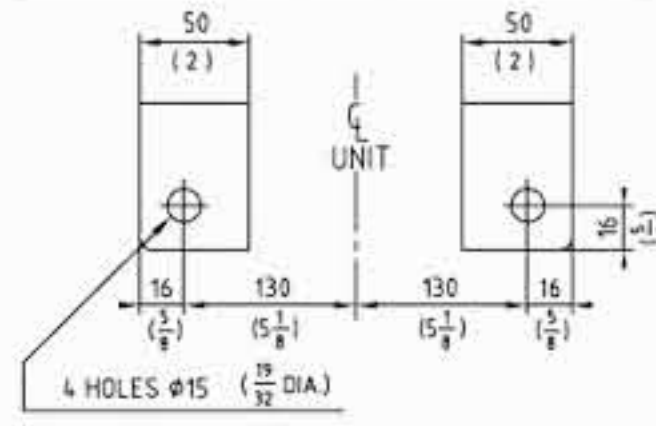


NOTE: # APPLY OLE-ETANCHE BETWEEN PS-SEAL (44) AND RETAINER (14).

NOTE: \*SEALING COMPOUND SILICONE REF. S.2523 TO BE APPLIED TO ALL JOINTS BETWEEN HEADS / HOUSING BEARING.  
 \*SEALING COMPOUND TEFLON AND LOCTITE ON GREASER, SCREW M8-10.



FOOT DIMENSIONS, ALL HEADS



44	1	S.4050	PS-SEAL 32 x 47 x 8			C.STEEL	
43	1	S.4014	SET COLLAR V-RING			8-07	C.STEEL
42	1	S.2554	O-RING φ71x65x3				VITON
41	1	S.2534	O-RING φ78x72x3				VITON
40	2	AHC M3-005,PL	SCREW, AHC M3-5,PL				
39	1	S.0417	COVER, PORT / DN100				
38	1	S.0222	COVER, PORT / DN65				
37	2	CHC M08-010	SCREW, CHC M8-10				
36	8	W08	WASHER LOCK, W8				
35	8	CHC M08-030	SCREW, CHC M8-30				
34	See chart I	HM12	NUT, H12				
33	12	W12	WASHER LOCK, W12				
32	6	See chart I	TIE ROD			010	C.STEEL
31	1	S.1802	VALVE WARNING PLATE			008	
30	1	S.1801	SURGE WARNING PLATE			092	ALUMINIUM
29	8	CT02.89-008	RIVET, φ2.89-8				
28	1	S.1808	NAME PLATE			284	ALUMINIUM
27	1	S.0209	KEY, COUPLING			003	C.STEEL
26	2	S.0218	CRANKED LUBRICATOR				
25	1	S.0200	PLUG, PIPE 1/4 GAS				
24	5	S.4010	PLUG, PIPE 3/4 GAS			169	
23	2	S.0214	NUT, KMS				
22	2	S.0213	WASHER, MBS				
21	1	S.0208	GREASE, SLINGER φ52 INLET SIDE			4-13	C.STEEL
20	1	S.0215	GREASE, SLINGER φ50 OUTLET SIDE			4-13	C.STEEL
19	1	S.0220	FELT JOINT φ22x32x5			005	
18	2	S.0210	BEARING, BALL 6305 C3				0,23
17	2	S.2662	V-RING 32A				VITON
16	1	S.4013	RETAINER, V-RING - OUTLET SIDE			8-06	C.STEEL 0,23
15	1	S.2661	V-RING 32S				VITON
14	1	S.4049	RETAINER, V-RING - INLET SIDE			8-93	C.STEEL 0,68
13	1	S.0259	HOUSING, BEARING - OUTLET SIDE			4-20	CAST IRON 1,35
12	1	S.0260	HOUSING, BEARING - INLET SIDE			4-20	CAST IRON 1,2
11	See chart I	S.0246	SPACER, IMPELLER / WASHER MB			4-52	C.STEEL
10	1	S.0212	NUT, KM7				
9	1	S.0211	WASHER, MB7				
8	2	S.4017	WASHER, SPRING				C.STEEL
7	1	See chart I	SHAFT			8-94	C.STEEL See chart I
6	Variable	See chart I	SHIM, IMPELLER			006	C.STEEL
5	1	See chart I	KEY, IMPELLER			003	C.STEEL
4	See chart I	See chart II	IMPELLER			See chart II	ALUMINIUM 2
3	See chart I	S.4003 E	SECTION, INTERMEDIATE			8-03	ALUMINIUM 7
2	1	S.4002 E	HEAD, OUTLET			8-02	ALUMINIUM 10
1	1	S.4001 E	HEAD, INLET			8-01	ALUMINIUM 9

CONTINENTAL INDUSTRIE		TYPE 008		ASSEMBLY: /	
		INLET END DRIVE		DATE: 02.06.2009	
S'FRIVIER/MOIGNANS FRANCE		SECTIONAL DRAWING		SCALE: /	
		BIOGAS SEAL + PS SEAL		SIZE: A1	
Quotation: DR: BD	CHRD: DR	DWG No.:	REV.:		
Order No.:	REVISION:			8-AB2A 0	

This drawing is our property and cannot be copied or communicated to third parties without our authorization.