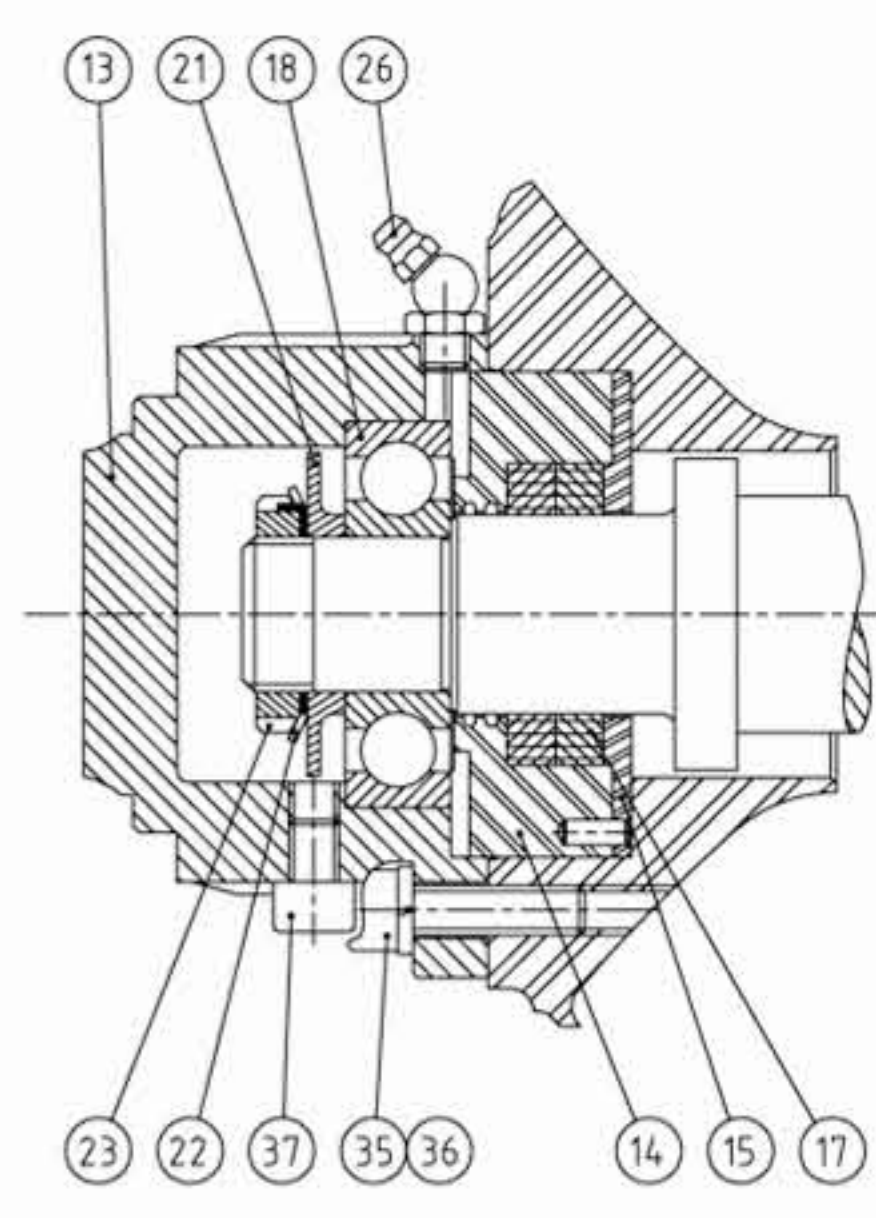


**INLET BEARING HOUSING DETAIL**

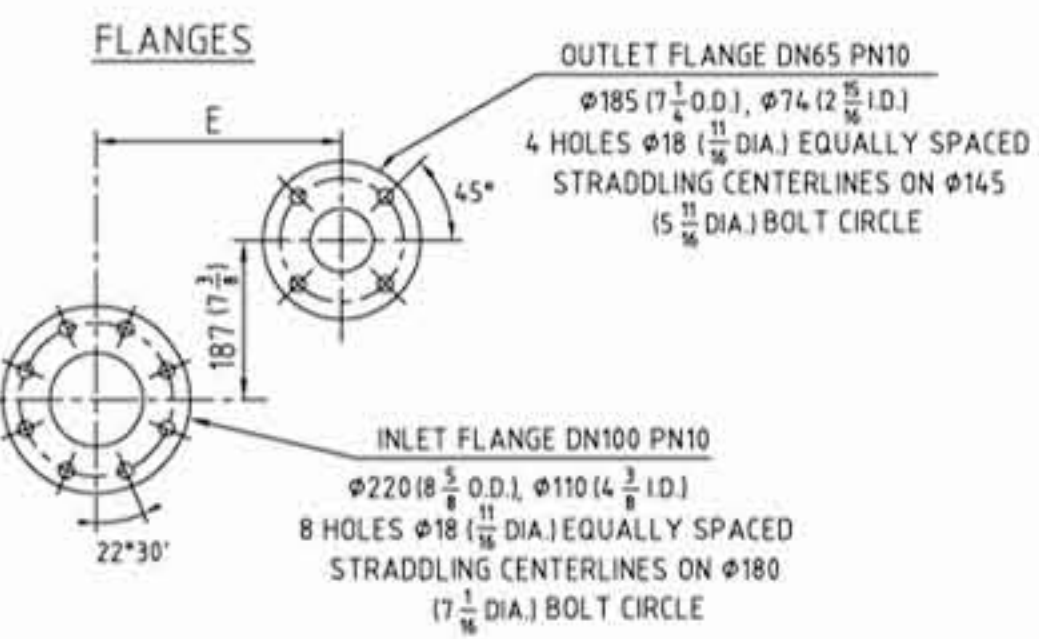
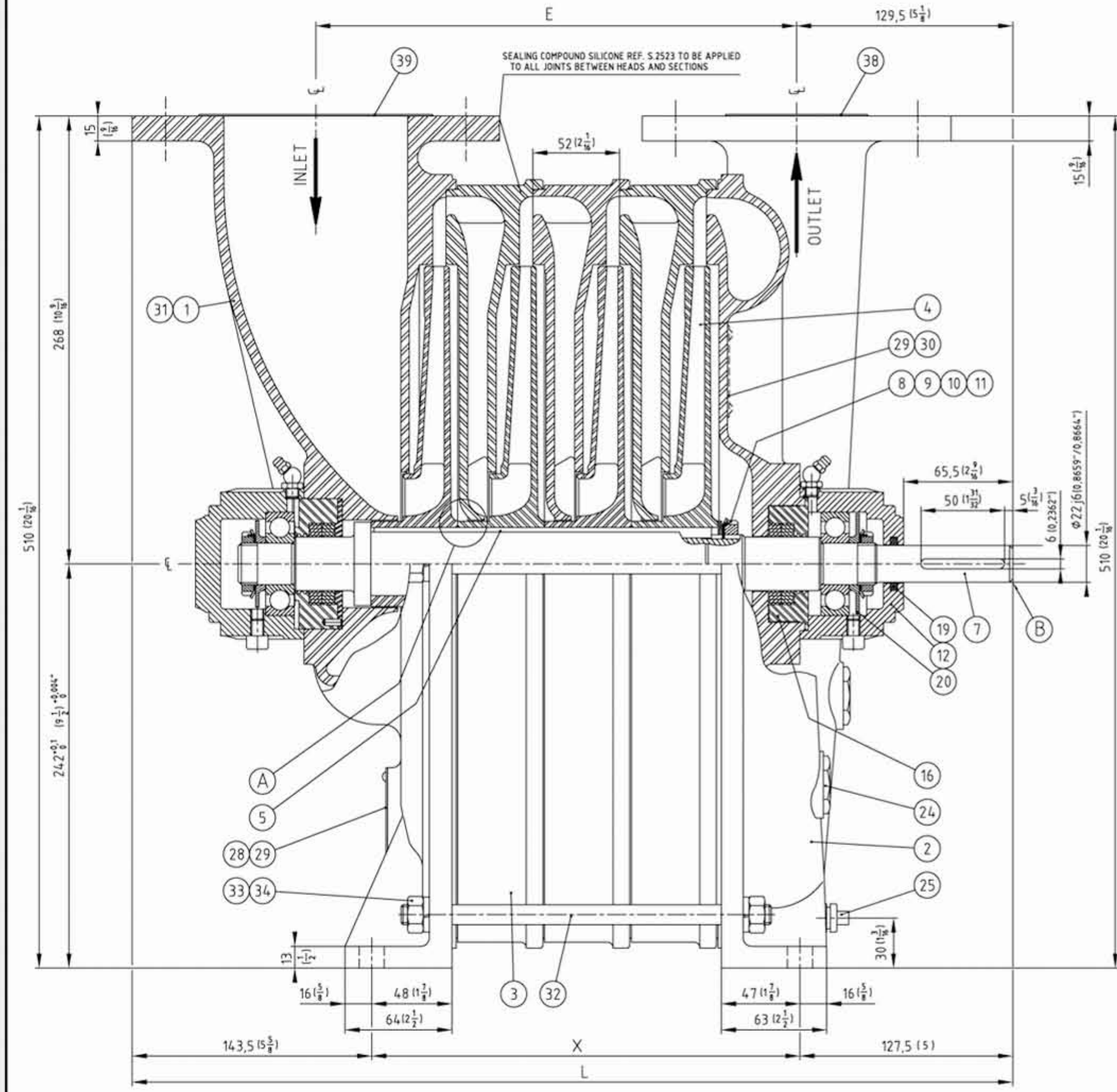


NOTES: -DIMENSIONS IN PARENTHESIS ARE IN INCHES.  
 -RECOMMENDED TIE ROD TORQUE: 15 F.T. LBS.  
 -USED GREASE SPECIFICATIONS: HP-ST 3  
 EQUIVALENT: ESSO: BEACON 3  
 ELF: ROLEXA 3  
 TOTAL: MULTIS TIR  
 SHELL: ALVANIA EP3  
 MOBIL: MOBILUX EP3

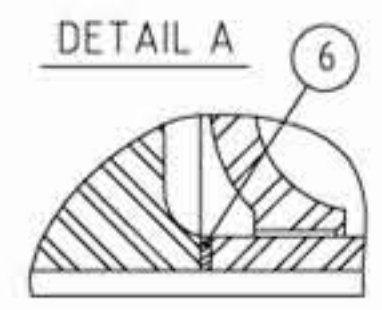
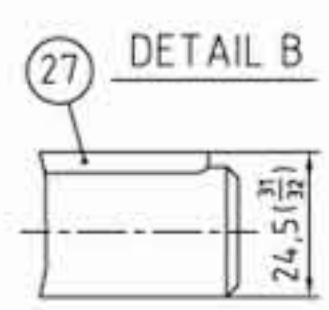
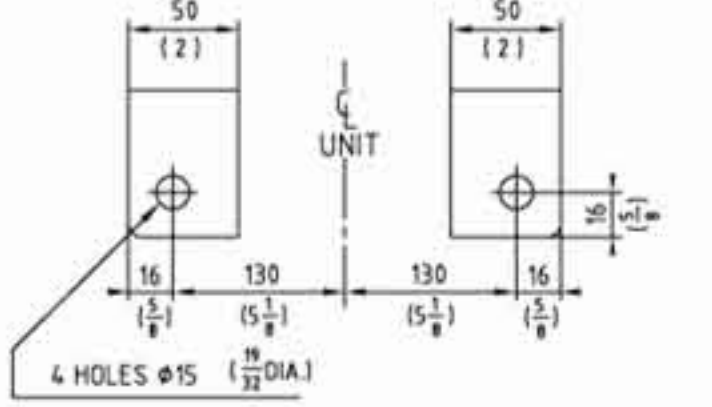
REV	DATE	EDN	BY	REVISIONS
0	10/09/1992	898001	BD	ORIGINAL
1	16/03/2004		TF	CANCEL FLANGES AND VALVE

Chart II			
IMPELLER TYPE (ITEM 4)			
QTY.	PART NO.	IMPELLER TYPE	DWG.
	S.4006	N*1201 (1 thru 8 stages)	8-08
	S.4007	N*1201 (9 and 10 stages)	8-08
	S.4004	N*1211 (1 thru 8 stages)	8-04
	S.4005	N*1211 (9 and 10 stages)	8-04

Chart I	TYPE	008.01	008.02	008.03	008.04	008.05	008.06	008.07	008.08	008.09	008.10
PART NO. ITEM 5		S.0247	S.0268	S.0269	S.0270	S.0271	S.0272	S.0273	S.0274	S.0275	S.0276
PART NO. ITEM 6		S.0309	S.0309	S.0309	S.0309	S.0309	S.0309	S.0309	S.0309	S.0310	S.0310
PART NO. ITEM 7		S.0225	S.0227	S.0229	S.0231	S.0233	S.0235	S.0237	S.0239	S.0241	S.0243
WEIGHT,kg, ITEM 7		1,7	2,17	2,63	3,09	3,55	4,02	4,48	4,93	6,56	7,16
PART NO. ITEM 32		H M12-060	S.0249	S.0250	S.0251	S.0252	S.0253	S.0254	S.0255	S.0256	S.0257
QTY.		0	1	2	3	4	5	6	7	8	9
ITEM 4		1	2	3	4	5	6	7	8	9	10
ITEM 11		0	0	0	0	0	0	0	0	1	1
ITEM 34		6	12	12	12	12	12	12	12	12	12
DIMENSION E		132 (5 1/4")	184 (7 1/4")	236 (9 3/8")	288 (11 3/8")	340 (13 3/8")	392 (15 3/8")	444 (17 3/8")	496 (19 3/8")	548 (21 3/8")	600 (23 3/8")
DIMENSION X		100,5 (3 9/16")	152,5 (6")	204,5 (8 1/8")	256,5 (10 1/8")	308,5 (12 1/8")	360,5 (14 1/8")	412,5 (16 1/8")	464,5 (18 3/8")	516,5 (20 3/8")	568,5 (22 3/8")
DIMENSION L		371,5 (14 5/8")	423,5 (16 5/8")	475,5 (18 3/4")	527,5 (20 3/4")	579,5 (22 3/4")	631,5 (24 3/4")	683,5 (26 3/4")	735,5 (28 3/4")	787,5 (31")	839,5 (33 1/4")
WEIGHT, kg		29	39	49	59	69	79	89	99	110	120
WEIGHT, LBS		64	86	108	130	152	174	196	218	242	264



**FOOT DIMENSIONS, ALL HEADS**



39	1	S.0417	COVER, PORT / DN100	050	C.STEEL	
38	1	S.0222	COVER, PORT / DN65	050	C.STEEL	
37	2	CHC M08-010	SCREW, CHC M8-10			
36	8	W08	WASHER LOCK, W8			
35	8	CHC M08-030	SCREW, CHC M8-30			
34	See chart I	H M12	NUT, H12			
33	12	W12	WASHER LOCK, W12			
32	6	See chart I	TIE ROD	010	C.STEEL	
31	1	S.1802	VALVE WARNING PLATE	008		
30	1	S.1801	SURGE WARNING PLATE	092	ALUMINIUM	
29	8	CT02.89-008	RIVET, Ø2,89-8			
28	1	S.0216	NAME PLATE	284	ALUMINIUM	
27	1	S.0209	KEY, COUPLING 6x6x50	003	C.STEEL	
26	2	S.0218	CRANKED LUBRICATOR			
25	1	S.0200	PLUG, PIPE 1/4 GAS			
24	5	S.4010	PLUG, PIPE 3/4 GAS	169		
23	2	S.0214	NUT, KMS			
22	2	S.0213	WASHER, MBS			
21	1	S.0208	GREASE, SLINGER Ø52 INLET SIDE	4-13	C.STEEL	
20	1	S.0215	GREASE, SLINGER Ø60 OUTLET SIDE	4-13	C.STEEL	
19	1	S.0220	FELT JOINT Ø22x32x5	005		
18	2	S.0210	BEARING, BALL 6305 C3			0,23
17	4	S.0325	GRAPHIT RING			
16	1	S.0324	RETAINER, GRAPHIT RING - OUTLET SIDE	4-49	ALUMINIUM	
15	1	S.0323	ADAPTER, GRAPHIT RING - INLET SIDE	4-48	ALUMINIUM	
14	1	S.0322	RETAINER, GRAPHIT RING - INLET SIDE	4-48	ALUMINIUM	
13	1	S.0204	HOUSING, BEARING - INLET SIDE	4-07	CAST IRON	1,35
12	1	S.0203	HOUSING, BEARING - OUTLET SIDE	4-07	CAST IRON	1,2
11	See chart I	S.0246	SPACER, IMPELLER / WASHER MB	4-52	C.STEEL	
10	1	S.0212	NUT, KM7			
9	1	S.0211	WASHER, MB7			
8	2	S.4017	WASHER, SPRING		C.STEEL	
7	1	See chart I	SHAFT	4-05	C.STEEL	See chart I
6	Variable	See chart I	SHIM, IMPELLER	006	C.STEEL	
5	1	See chart I	KEY, IMPELLER	003	C.STEEL	
4	See chart I	See chart II	IMPELLER	See chart II	ALUMINIUM	2
3	See chart I	S.4003	SECTION, INTERMEDIATE	8-03	ALUMINIUM	7
2	1	S.4002	HEAD, OUTLET	8-02	ALUMINIUM	10
1	1	S.4001	HEAD, INLET	8-01	ALUMINIUM	9

ITEM	QTY.	PART NO.	DESCRIPTION	DWG.	MATERIAL	WEIGHT,kg
CONTINENTAL INDUSTRIE S.A						
TYPE 008						
OUTLET END DRIVE						
SECTIONAL DRAWING						
GRAPHIT RING SEAL						
ASSEMBLY: /						
DATE: 10/09/1992						
SCALE: /						
SIZE: A1						
DWG No. REV.						
8-RG1A 1						

Ce plan est notre propriété et ne peut être copié ou communiqué à des tiers sans notre autorisation