

OPTIONAL INLET HEAD POSITIONS      OPTIONAL OUTLET HEAD POSITIONS

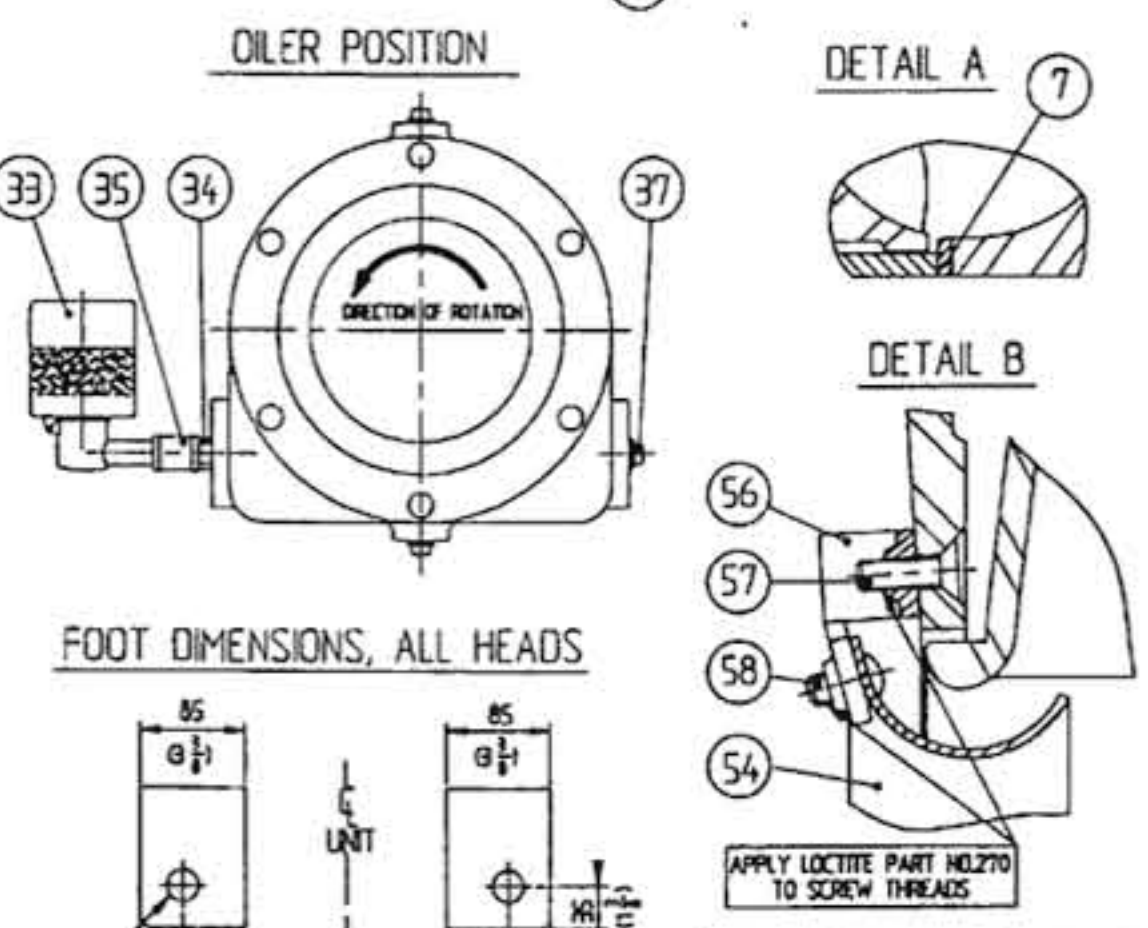
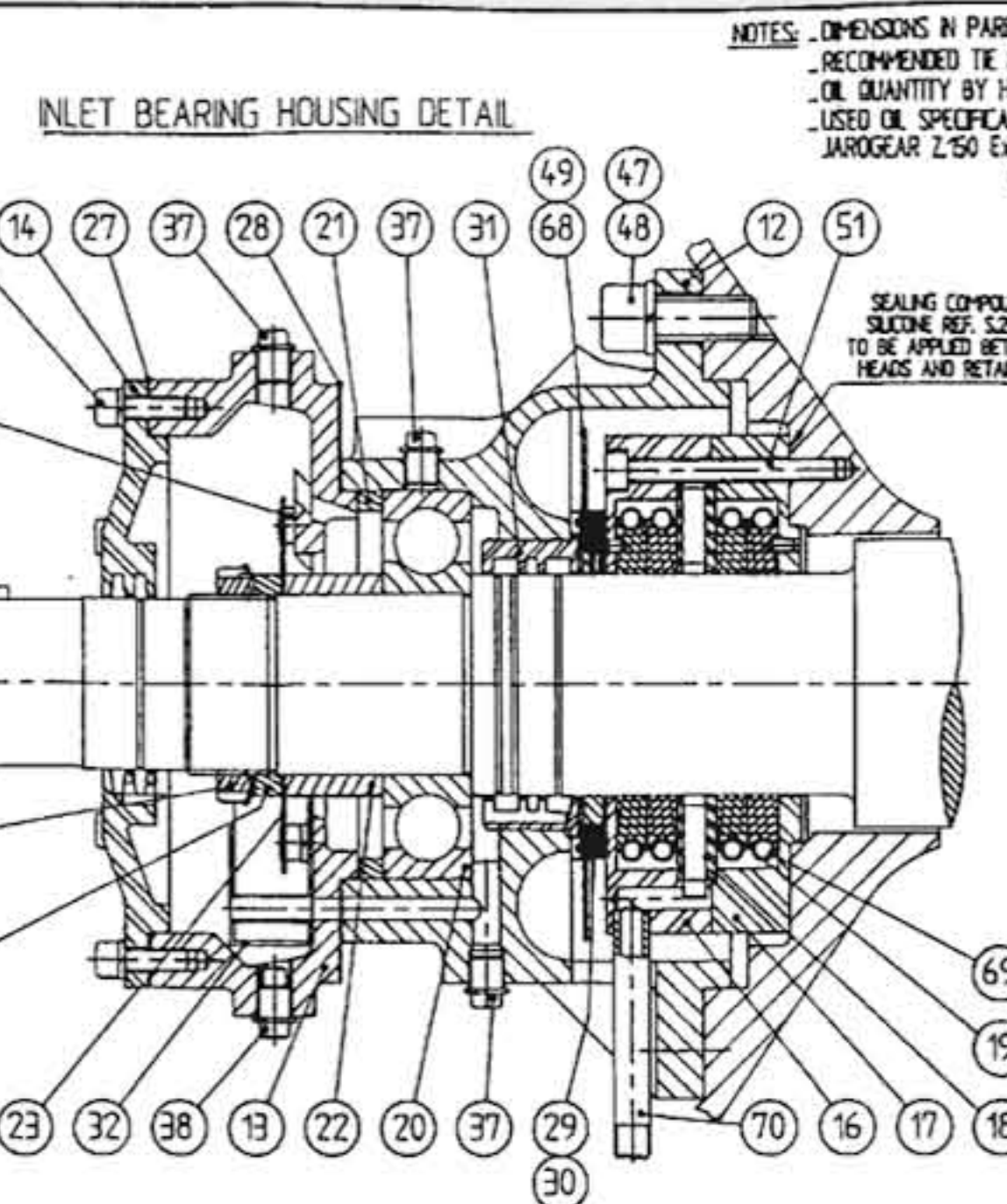
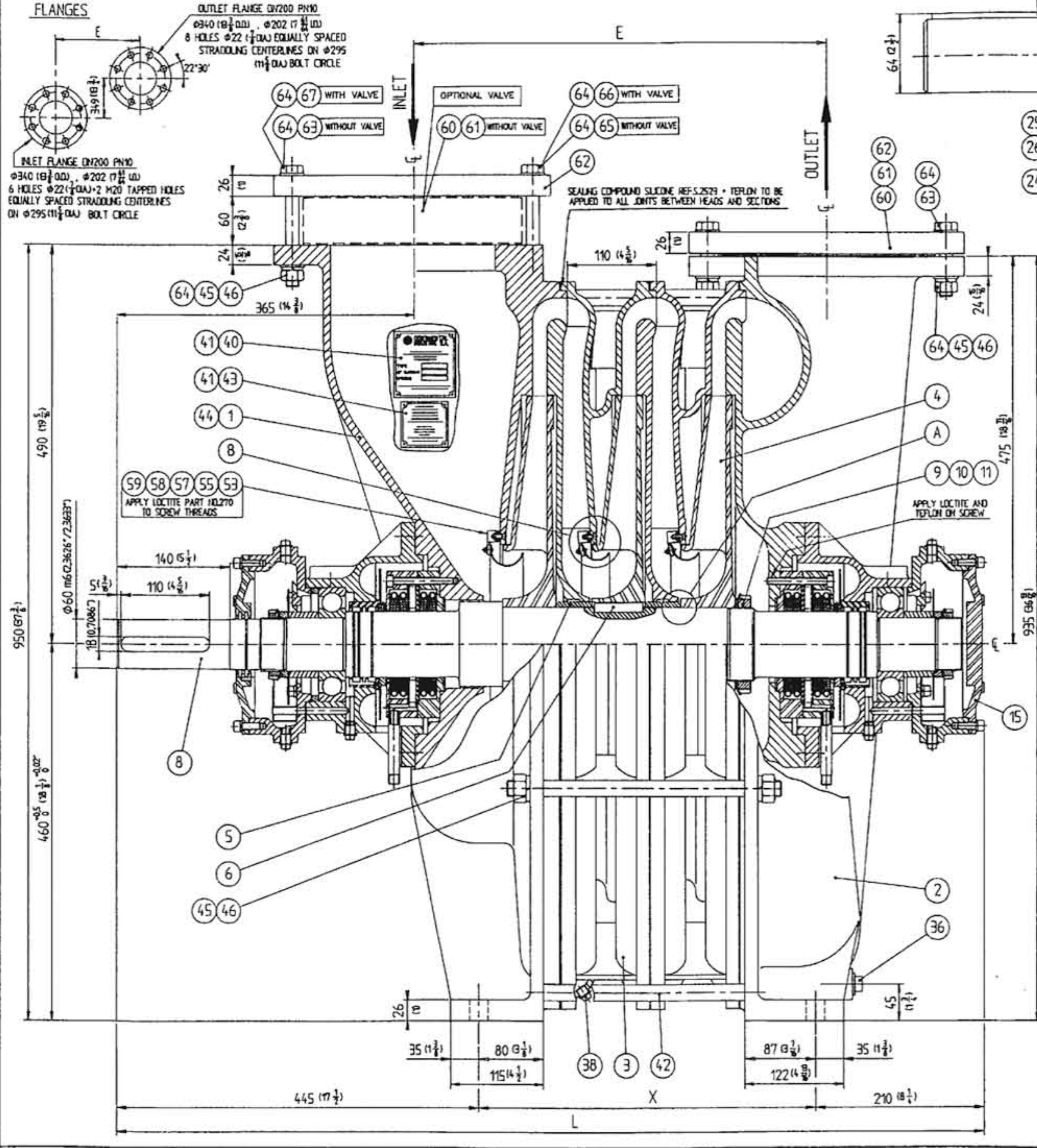


Chart II IMPELLER TYPE (ITEM 4)

QTY.	PART NO.	IMPELLER TYPE	ENGR.	WEIGHT
	S.S204	N°5201	77-04	10
	S.S207	N°5211	77-58	10
	S.S205	N°5212	77-05	10
	S.S206	N°5213	77-26	10
	S.S208	N°5214	77-59	10
	S.S209	N°5301	77-60	6
	S.S282	N°5311	77-61	6
	S.S283	N°5312	77-62	6
	S.S284	N°5313	77-63	6
	S.S285	N°5314	77-64	6

Chart III WITH VALVE WITHOUT VALVE

QTY.	ITEM 60	1	2
	ITEM 61	1	2
	ITEM 63	8	14
	ITEM 65	0	2
	ITEM 66	2	0
	ITEM 67	6	0

Chart I

PART NO.	ITEM #	TYPE	077.01	077.02	077.03	077.04	077.05	077.06	077.07	077.08	077.09	077.10	077.11
WEIGHT kg	ITEM 8		28.7	36.2	39.6	45.1	50.6	56	61.5	67	72.4	77.9	83.4
PART NO.	ITEM 42		S.1448	S.1214	S.S256	S.1035	S.1218	S.S257	S.S258	S.S259	S.S260	S.1453	S.S261

QTY.	ITEM 3	4	5	6	7	8	9	10	11			
	ITEM 4	1	2	3	4	5	6	7	8	9	10	11
	ITEM 5	0	1	2	3	4	5	6	7	8	9	10
	ITEM 6	1	2	3	4	5	6	7	8	9	10	11
	ITEM 37	8	9	10	11	12	13	14	15	16	17	18
	ITEM 54	0	1	2	3	4	5	6	7	8	9	10
	ITEM 56	0	4	8	12	16	20	24	28	32	36	40
	ITEM 57	4	8	12	16	20	24	28	32	36	40	44
	ITEM 58	4	8	12	16	20	24	28	32	36	40	44

DIMENSION	E	X	L
	290 (11 3/8)	400 (15 7/8)	510 (20 1/8)
	400 (15 7/8)	510 (20 1/8)	620 (24 5/8)
	510 (20 1/8)	620 (24 5/8)	730 (28 3/4)
	620 (24 5/8)	730 (28 3/4)	840 (33 1/8)
	730 (28 3/4)	840 (33 1/8)	950 (37 3/8)
	840 (33 1/8)	950 (37 3/8)	1060 (41 3/4)
	950 (37 3/8)	1060 (41 3/4)	1170 (45 3/4)
	1060 (41 3/4)	1170 (45 3/4)	1280 (50 1/8)
	1170 (45 3/4)	1280 (50 1/8)	1390 (54 1/4)
	1280 (50 1/8)	1390 (54 1/4)	1500 (59 1/8)
	1390 (54 1/4)	1500 (59 1/8)	1610 (63 1/4)
	1500 (59 1/8)	1610 (63 1/4)	1720 (67 3/8)
	1610 (63 1/4)	1720 (67 3/8)	1830 (71 3/4)
	1720 (67 3/8)	1830 (71 3/4)	1940 (75 7/8)
	1830 (71 3/4)	1940 (75 7/8)	2050 (80 3/8)
	1940 (75 7/8)	2050 (80 3/8)	2160 (84 3/4)
	2050 (80 3/8)	2160 (84 3/4)	2270 (89 1/8)
	2160 (84 3/4)	2270 (89 1/8)	2380 (93 3/8)
	2270 (89 1/8)	2380 (93 3/8)	2490 (97 3/4)
	2380 (93 3/8)	2490 (97 3/4)	2600 (101 3/4)
	2490 (97 3/4)	2600 (101 3/4)	2710 (105 3/4)
	2600 (101 3/4)	2710 (105 3/4)	2820 (109 3/4)
	2710 (105 3/4)	2820 (109 3/4)	2930 (113 3/4)
	2820 (109 3/4)	2930 (113 3/4)	3040 (117 3/4)
	2930 (113 3/4)	3040 (117 3/4)	3150 (121 3/4)
	3040 (117 3/4)	3150 (121 3/4)	3260 (125 3/4)
	3150 (121 3/4)	3260 (125 3/4)	3370 (129 3/4)
	3260 (125 3/4)	3370 (129 3/4)	3480 (133 3/4)
	3370 (129 3/4)	3480 (133 3/4)	3590 (137 3/4)

NOTES: DIMENSIONS IN PARENTHESIS ARE IN INCHES.  
 RECOMMENDED TORQUE: 30 FT. LBS.  
 OIL QUANTITY BY HOUSING/BEARING: 0.56 liter.  
 USED OIL SPECIFICATIONS:  
 JAROGEAR Z.150 Extreme oil pressure SERVICE APP-GLS  
 EQUIVALENT: ESSO SPARTAN EP 50  
 ELF REDUCTELF SP 50  
 TOTAL CARTER EP 50  
 SHELL OVALA 50

REV.	DATE	LOW	BY	REVISION
1	08/08/93			
2				
3				
4				
5				
6				
7				
8				
9				
10				

70	2	S.S541	GAZ INLET PIPE 1/4 GAZ	15-15	CSTEEL
69	8	S.1269	SPRING	150-39	CSTEEL
68	2	S.S540	FAN COOLING	15-15	SSTEEL
67	See chart II	H M20-140	SCREW, H M20-140		
66	See chart II	H M20-120	SCREW, H M20-120		
65	See chart II	H M20-050	SCREW, H M20-50		
64	30	M20	WASHER, M20		
63	See chart II	H M20-080	SCREW, H M20-80		
62	2	S.1074	COMPANION FLANGE DN200 PH10		CSTEEL 10.2
61	See chart II	S.1075	GASKET, FLANGE	005	
60	See chart II	S.1078	COVER, PORT	050	CSTEEL
59	Variable	M05J	WASHER, M5		SSTEEL
58	See chart I	GS M05-010J	SCREW, GS M5-10		SSTEEL
57	See chart I	FHC M05-016A	SCREW, FHC M5-16		SSTEEL
56	See chart I	S.S253	BRACKET, BAFFLE	77-22	SSTEEL
55	4	S.0873	BRACKET, BAFFLE	50-20	SSTEEL
54	See chart I	S.S252	BAFFLE, INTERMEDIATE SECTION	77-20	SSTEEL
53	1	S.1039	BAFFLE, INLET HEAD	77-42	SSTEEL
52	24	CHC M08-025	SCREW, CHC M8-25		
51	12	CHC M08-075	SCREW, CHC M8-75		
50	24	W08	WASHER LOCK, W8		
49	4	AHC M04-010PL	SCREW, AHC M4-10PL		
48	16	CHC M16-040	SCREW, CHC M16-40		
47	16	W16	WASHER LOCK, W16		
46	30	H M20	NUT, M20		
45	30	W20	WASHER LOCK, W20		
44	1	S.1802	VALVE WARNING PLATE	008	
43	1	S.1801	SURGE WARNING PLATE	092	ALUMINUM
42	8	See chart I	TIE ROD	070	CSTEEL
41	8	CT0289-008	RIVET, 2.89-8		
40	1	S.0216	NAME PLATE	284	ALUMINUM
39	1	S.1414	KEY, COUPLING 18x18x10	003	CSTEEL
38	2	S.2581	PLUG, 1/4 GAS MAGNETIC		
37	See chart I	S.0200	PLUG, 1/4 GAS		
36	1	S.1012	PLUG, 3/8 GAS		
35	2	S.2580	NIPPLE, FF 1/4 GAS		
34	2	S.2579	NIPPLE, MM 1/4 GAS		
33	2	S.1423	OILER 1/4 GAS		
32	2	S.1273	RETAINER, SLIP	150-45	CSTEEL
31	2	S.S536	LABYRINTH, BEARING HOUSING	151-14	ALUMINUM
30	2	S.1216	FAN GUARD, BEARING HOUSING	75-41	CSTEEL
29	2	S.1214	FAN GUARD, BEARING HOUSING	75-41	CSTEEL
28	2	S.1275	GASKET, OIL RESERVOIR	150-47	
27	2	S.1216	GASKET, BEARING CAP	150-18	
26	2	S.1222	NUT, KM18		
25	2	S.1221	WASHER, MB18		
24	2	S.1211	SPACER, SHORT	75-17	CSTEEL
23	2	S.1213	OIL SLINGER	75-18	CSTEEL
22	2	S.1212	SPACER, LONG	75-16	CSTEEL
21	1	S.1272	SPACER, BEARING	150-46	CSTEEL
20	2	S.1262	BEARING, BALL 6318 C3 TH1		2.1
19	8	S.1256	CARBON RING	150-39	CARBON
18	2	S.S288	SPACER, CARBON RING	77-73	ALUMINUM
17	2	S.S537	RETAINER, CARBON RING	151-15	ALUMINUM
16	2	S.S287	RETAINER, CARBON RING	77-73	ALUMINUM
15	1	S.1204	CAP, BEARING-OUTLET END	150-14	ALUMINUM 13
14	1	S.1205	CAP, BEARING-INLET END	150-13	ALUMINUM 11
13	2	S.1271	OIL RESERVOIR	150-44	CAST IRON 5.7
12	2	S.1270	HOUSING, BEARING	150-48	CAST IRON 18
11	1	S.S274	NUT, KM18		
10	1	S.S275	WASHER, MB18		
9	2	S.S226	WAVY SPRING	77-12	CSTEEL
8	1	See chart I	SHAFT	77-07	CSTEEL See chart I
7	Variable	S.S223	SHM, IMPELLER	006	CSTEEL
6	See chart I	S.S233	KEY, IMPELLER 12x12x65	003	CSTEEL
5	See chart I	S.S222	SPACER, IMPELLER	77-08	CSTEEL
4	See chart I	See chart II	IMPELLER		ALUMINUM See chart II
3	See chart I	S.S251 E	SECTION, INTERMEDIATE	77-21	CAST IRON 100
2	1	S.S255 E	HEAD, OUTLET	77-02	CAST IRON 200
1	1	S.S254 E	HEAD, INLET	77-33	CAST IRON 183

CONTINENTAL INDUSTRIE S.A. TYPE 077A RT INLET END DRIVE

S TRAVER/MOCHANS FRANCE SECTIONAL DRAWING DOUBLE CARBON SEAL RING

DATE: 29/06/1993 SCALE: A1

ORDER No.: DR 80 3723 CHD OR 11/1000 DWG No.: REV. 77-AC2A 0

REVISIONS: