

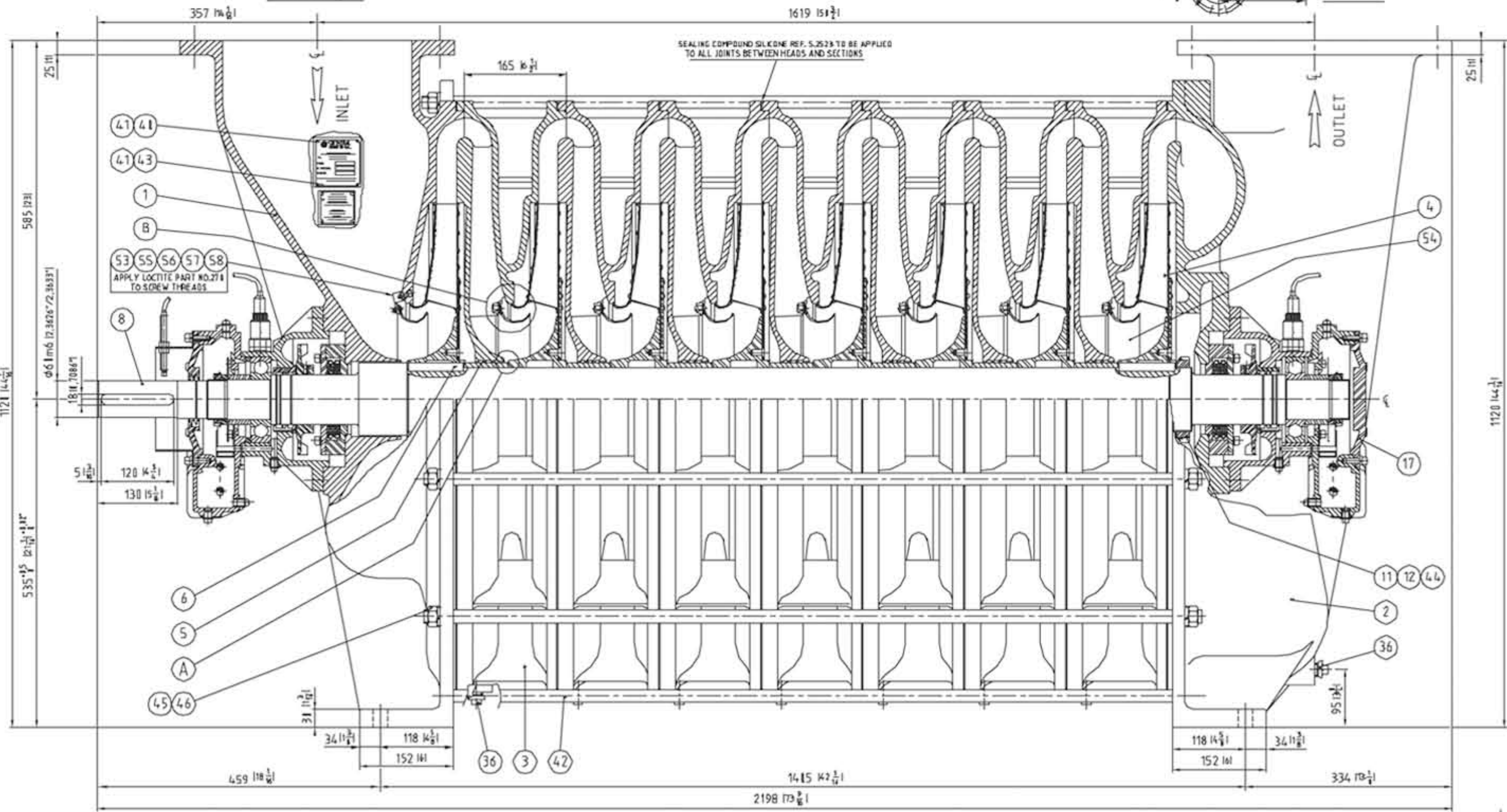
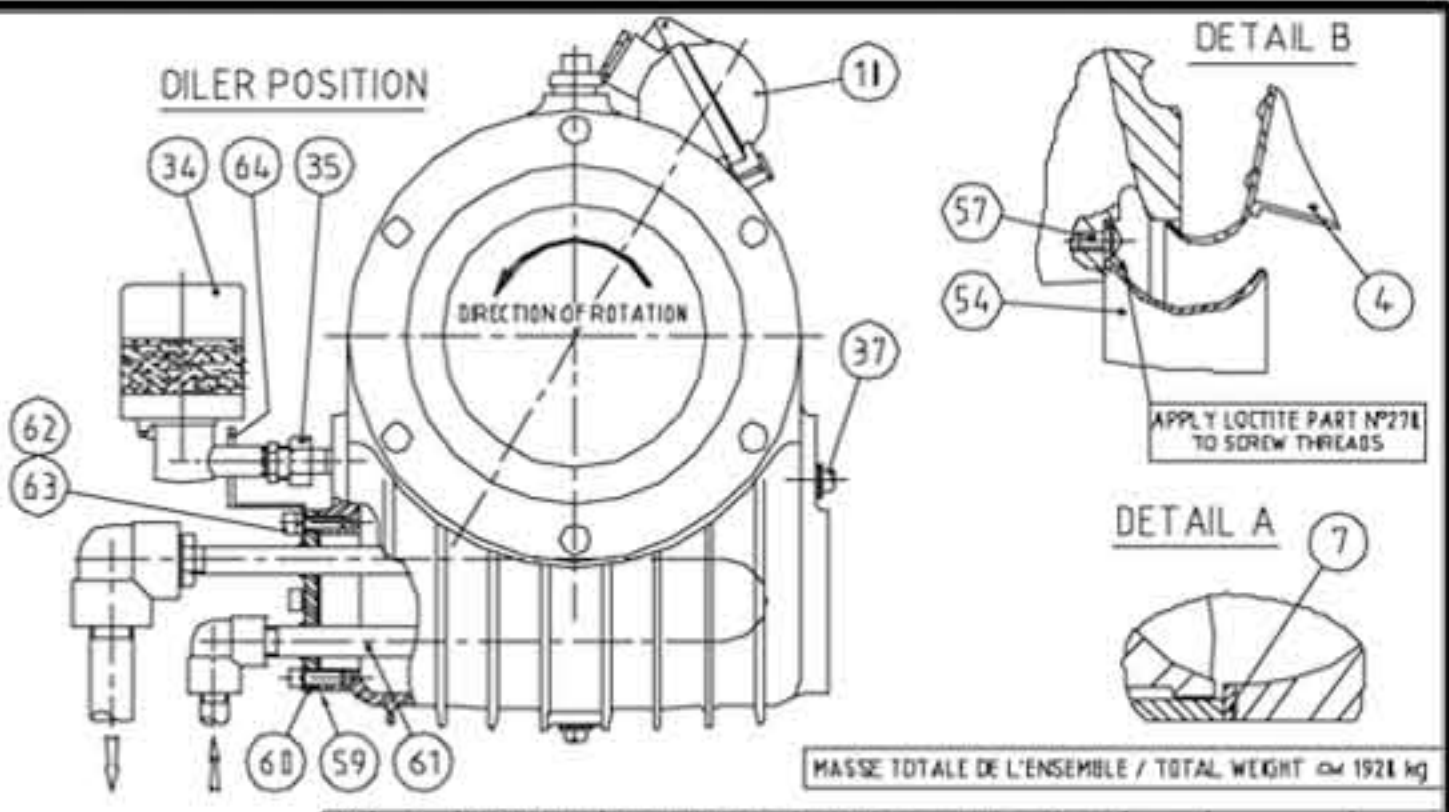
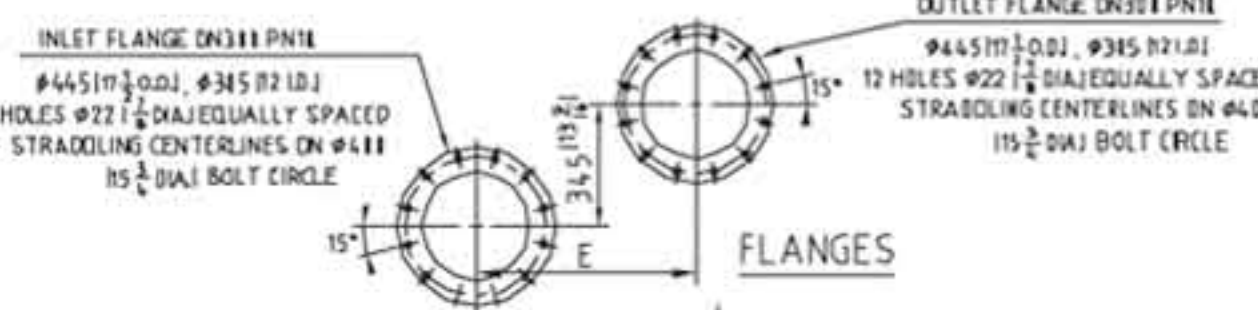
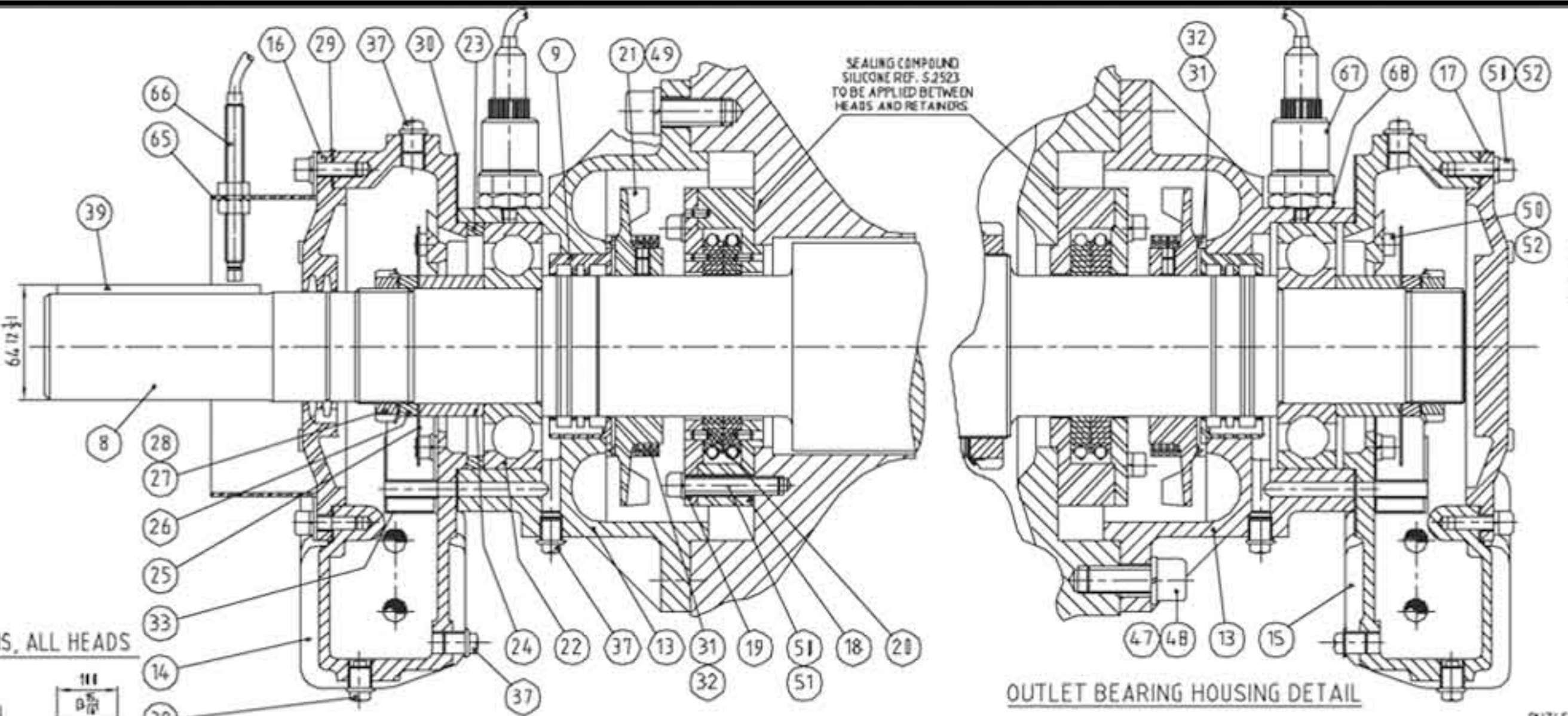
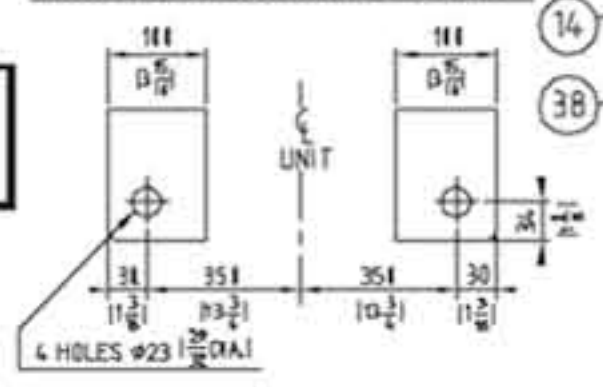
NOTES: - DIMENSIONS IN PARENTHESIS ARE IN INCHES.
 - RECOMMENDED THE ROD TORQUE: 30 FT LBS.
 - OIL QUANTITY BY HOUSING, BEARING 0,56 liter.
 - USED OIL SPECIFICATIONS
 JARDGEAR Z.151 Extreme oil pressure SERVICE API-GL5
 EQUIVALENT: ESSO SPARTAN EP 150
 ELF REDUCTELF SP 151
 TOTAL CARTER EP 151
 SHELL OMALA 151

BEARING WATER COOLING: - INLET WATER FLOW: 3 l/min for each bearing.
 - PRESSURE: 7,5 bars or 111 PSig.
 - CONNECTION: Flange ASA151# - Ø1/2"

ITEM N°: 92-K-101 A/B

PROJECT TITLE:
 TOTAL Sulphur Recovery Unit (SRU)

FOOT DIMENSIONS, ALL HEADS



ITEM	QTY.	PART NO.	DESCRIPTION	MATERIAL	WEIGHT (kg)
68	2	125194-11	ACCELEROMETER SUPPORT (Supply by customer)		
67	2	21151	ACCELEROMETER (Supply by customer)		
66	2	3341XLB-M11	KEYPHASOR (Supply by customer)		
65	1	SUP151-371	KEYPHASOR SUPPORT	151-371 ALUMINUM	
64	2	S5687	BRACKET, DILER	151-371 S.STEEL	
63	12	W66J	WASHER LOCK, W6J	S.STEEL	
62	12	CHC M6-21J	SCREW, CHC M6-21J	S.STEEL	
61	2	S5685	WATER COOLING PIPE, DL RESERVDR	151-365 S.STEEL	1,6
60	2	S5684	PLATE, DL RESERVDR	151-366 S.STEEL	
59	2	S5684	GASKET, DL RESERVDR	151-369 S.STEEL	
58	Variable	M6J	WASHER, M6	S.STEEL	
57	34	GS M16-11EJ	SCREW, GS M16-11E	S.STEEL	
56	6	CHC M16-11E	SCREW, CHC M16-11E	S.STEEL	
55	6	S.3455	BRACKET, BAFFLE	151-21 S.STEEL	
54	7	S5677	BAFFLE, INTERMEDIATE SECTION	151-18 S.STEEL	1,8
53	1	S5635	BAFFLE, INLET HEAD	151-20 S.STEEL	1,7
52	24	CHC M8-025	SCREW, CHC M8-25		
51	12	CHC M8-045	SCREW, CHC M8-45		
50	36	W18	WASHER LOCK, W18		
49	4	ANC M18-11JPL	SCREW, ANC M18-11JPL		
48	16	CHC M16-44L	SCREW, CHC M16-44L		
47	16	W16	WASHER LOCK, W16		
46	24	H M21	NUT, H21		
45	24	W21	WASHER LOCK, W21		
44	2	S5619	WASHER, WAVY SPRING	151-18 C.STEEL	
43	1	S.1841	SURGE WARNING PLATE	092 ALUMINUM	
42	12	S5557	TE ROD	018 C.STEEL	
41	8	C192,85-110	RIVET, #2,89-8		
40	1	S.1216	NAME PLATE	284 ALUMINUM	
39	1	S.34145	KEY, COUPLING 38 x 11 x 121	003 C.STEEL	0,19
38	2	S2641	PLUG PIPE, 1/4 GAS MAGNETIC		
37	8	S.1211	PLUG PIPE, 1/4 GAS		
36	8	S.1427J	PLUG PIPE, 1/2 GAS	S.STEEL	
35	2	S2949J	THREE PIECE UNION HF 1/4 GAS	S.STEEL	
34	2	S.3423	DILER 1/4 GAS		1,4
33	2	S.1273	RETAINER, SUMP	151-45 C.STEEL	1,2
32	2	S.1270	FAN GUARD, BEARING HOUSNG	75-41 C.STEEL	1,1
31	2	S.1274	FAN GUARD, BEARING HOUSNG	75-41 C.STEEL	1,1
30	2	S.1275	GASKET, OIL RESERVDR	151-47 S.STEEL	
29	2	S.1274	GASKET, BEARING CAP	6.1-16 S.STEEL	
28	2	S.1222	NUT, KN13		1,2
27	2	S.1221	WASHER, M613		
26	2	S.1219	SPACER, SHORT	75-17 C.STEEL	0,13
25	2	S.1213	DL SWINGER	75-18 C.STEEL	1,12
24	2	S.1212	SPACER, LONG	75-16 C.STEEL	0,45
23	1	S.1272	SPACER, BEARING	151-44 C.STEEL	1,22
22	2	S.1262	BEARING, BALL #313 C3 TH1		2,1
21	2	S.1218	FAN, COOLING	75-12 ALUMINUM	0,65
20	4	S.1256	CARBON RING	151-39 CARBON	
19	2	S.1255	ADAPTER, CARBON RING	151-41 ALUMINUM	0,45
18	2	S.1254	RETAINER, CARBON RING	151-41 ALUMINUM	1,2
17	1	S.1244	CAP, BEARING-OUTLET END	151-14 ALUMINUM	1,3
16	1	S.1245	CAP, BEARING-INLET END	151-364 ALUMINUM	1,1
15	1	S5611.WG	DL RESERVDR - OUTLET END	151-239 CAST IRON	24,0
14	1	S5611.WD	DL RESERVDR - INLET END	151-239 CAST IRON	0
13	2	S5642	HOUSNG, BEARING	151-347 CAST IRON	13
12	1	S5632	NUT, KN21		1,8
11	1	S5631	WASHER, M621		
10	2	/	HOUSING BEARING TEMPERATURE PROBE Ext		
9	2	S.1275	LABYRINTH, BEARING HOUSING	75-13 ALUMINUM	1,24
8	1	S5624	SHAFT	151-17 C.STEEL	97,9
7	Variable	S5518	SHIM, IMPELLER	116 C.STEEL	
6	8	S5511	KEY, IMPELLER 14x12x79	113 C.STEEL	1,1
5	7	S5510	SPACER, IMPELLER	151-176 C.STEEL	0,92
4	8	S5551	IMPELLER N°6311	151-05 ALUMINUM	7
3	7	S5543	SECTION, INTERMEDIATE	151-03 CAST IRON	221
2	1	S5542	HEAD, OUTLET	151-02 CAST IRON	24,0
1	1	S5541	HEAD, INLET	151-01 CAST IRON	24,0

CONTINENTAL INDUSTRIE S.A	TYPE 151A.08 RT INLET END DRIVE	ASSEMBLY: /
TRIEREV/PODIKANS FRANCE	SECTIONAL DRAWING CARBON SEAL RING	DATE: 18/12/2003
CUSTOMER: LE SAZ INTEGRAL	DR: T.F	SCALE: /
ORDER No: /	DWG. No: /	SIZE: A1
REVISIONS: /	DWG. No: /	Rev: /
151-1pi		0