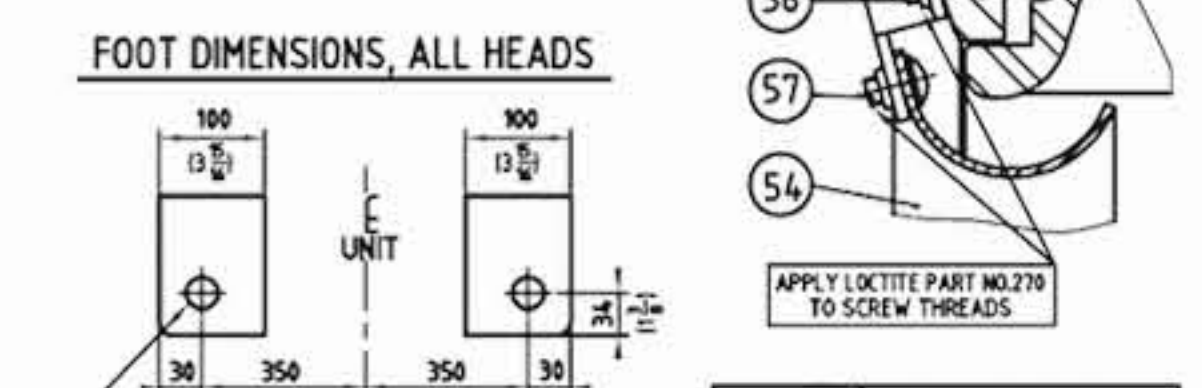
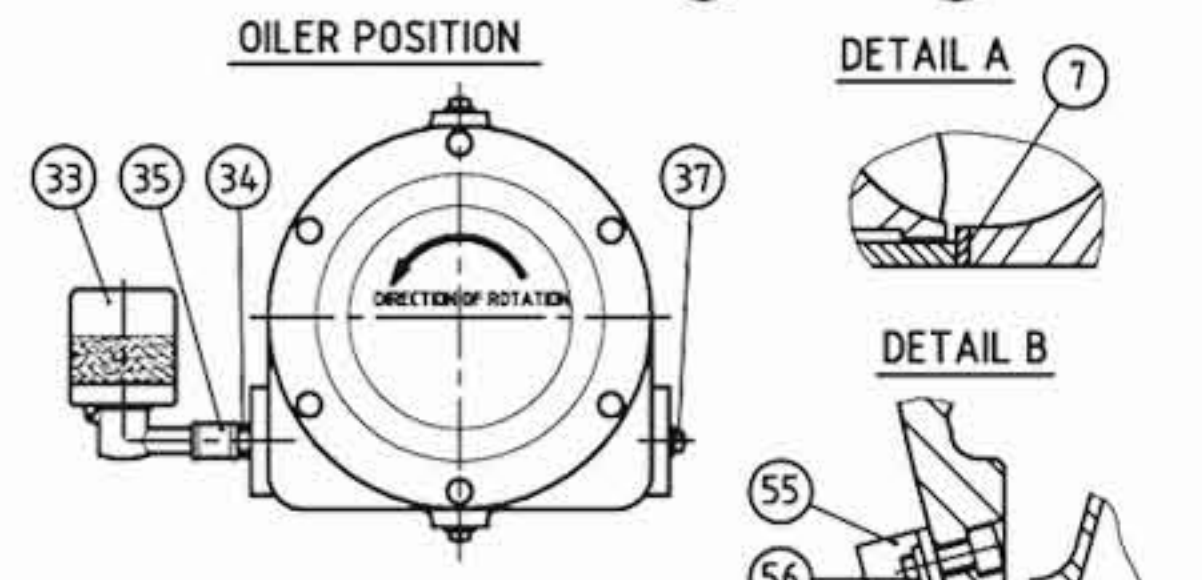
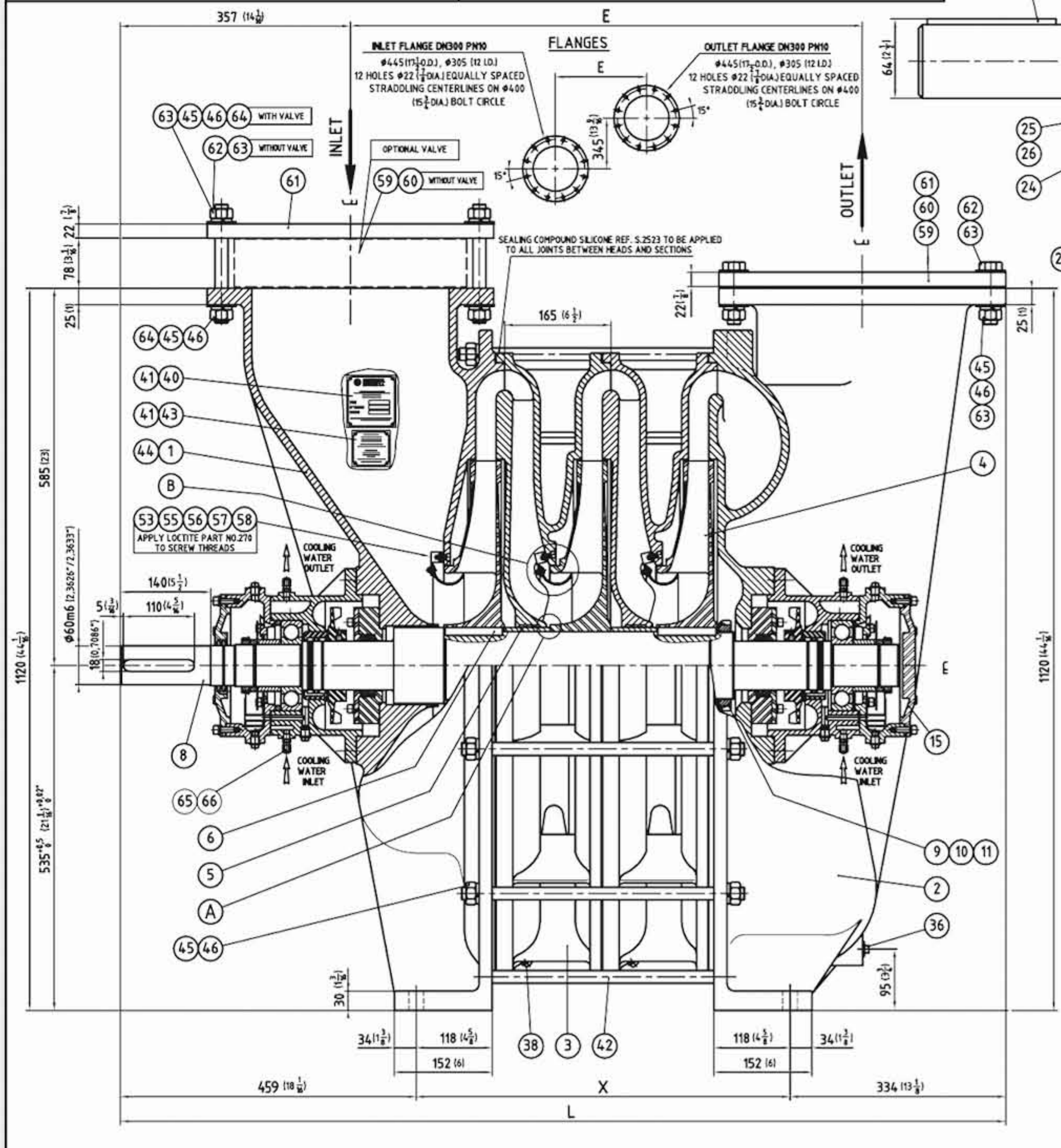


REV	DATE	EDJN	BY	REVISIONS
1	5/6/99	YTS/MW	BD	ORIGINAL

NOTE: TYPE 151.08 RT ONLY DIRECT DRIVE AND ROTATION SPEED \leq 3000 RPM. FOR ROTATION SPEED $>$ 3000 RPM, SEE DRAWING 151-AG2A.



QTY.	PART NO.	IMPELLER TYPE	DWG.	WEIGHT/kg
	S.5558	M*6201	151-54	15
	S.5518	M*6202	151-53	15
	S.5559	M*6203	151-55	15
	S.5504	M*6211	151-04	15
	S.5520	M*6212	151-17	15
	S.5505	M*6301	151-05	7
	S.5586	M*6302	151-170	7
	S.5551	M*6311	151-33	7
	S.5571	M*6312	151-87	7

QTY.	ITEM 45	ITEM 46	ITEM 59	ITEM 60	ITEM 62	ITEM 64
WITH VALVE	60	60	1	1	12	12
WITHOUT VALVE	48	48	2	2	24	0

PART NO.	ITEM 8	ITEM 42	ITEM 3	ITEM 4	ITEM 5	ITEM 6	ITEM 37	ITEM 54	ITEM 55	ITEM 56	ITEM 57
TYPE	151.01	151.02	151.03	151.04	151.05	151.06	151.07	151.08	151.09	151.10	151.11
WEIGHT/kg, ITEM 8	35.7	46.9	58.1	69.3	80.5	91.7	102.9	114.1			
PART NO. ITEM 42	S.1241	S.1243	S.1035	S.0697	S.5258	S.5533	S.5534	S.5557			
QTY.											
ITEM 3	0	1	2	3	4	5	6	7			
ITEM 4	1	2	3	4	5	6	7	8			
ITEM 5	0	1	2	3	4	5	6	7			
ITEM 6	1	2	3	4	5	6	7	8			
ITEM 37	8	9	10	11	12	13	14	15			
ITEM 54	0	1	2	3	4	5	6	7			
ITEM 55	6	12	18	24	30	36	42	48			
ITEM 56	6	12	18	24	30	36	42	48			
ITEM 57	6	12	18	24	30	36	42	48			
DIMENSION E	444 (18 1/2)	429 (17 1/4)	794 (31 1/4)	959 (37 3/4)	1124 (44 1/4)	1289 (50 3/4)	1454 (57 1/4)	1619 (63 3/4)			
DIMENSION X	254 (10 1/8)	415 (16 3/8)	580 (22 7/8)	745 (29 3/8)	910 (35 7/8)	1075 (42 1/4)	1240 (48 7/8)	1405 (55 3/8)			
DIMENSION L	1043 (41 1/4)	1208 (47 5/8)	1373 (53 3/4)	1538 (60 1/4)	1703 (66 3/4)	1868 (73 1/4)	2033 (79 3/4)	2198 (86 1/4)			
WEIGHT: kg	550	830	1110	1390	1670	1950	2230	2510			
WEIGHT: LBS	1212	1830	2447	3064	3681	4300	4916	5533			

66	4	S.2615	PLUG, ADAPTER 1/8-6								
65	4	S.2614	RIGHT ADAPTER 1/8-6								
64	See chart I	S.0545	TIE ROD #20 (g.190)							C.STEEL	
63	4.8	M20	WASHER, M20								
62	See chart I	H M20-090	SCREW, H M20-90								
61	2	S.1225	COMPANION FLANGE DN300 PN10							C.STEEL	12
60	See chart I	S.1226	GASKET, FLANGE DN300				005				
59	See chart I	S.1224	COVER, PORT				050			C.STEEL	
58	Variable	M06.1	WASHER, M6							S.STEEL	
57	See chart I	GS M06-010	SCREW, GS M6-10							S.STEEL	
56	See chart I	CHC M06-016	SCREW, CHC M6-16							S.STEEL	
55	See chart I	S.1455	BRACKET, BAFFLE				150-21			S.STEEL	
54	See chart I	S.5535	BAFFLE, INTERMEDIATE SECTION				151-18			S.STEEL	
53	1	S.1251	BAFFLE, INLET HEAD				150-20			S.STEEL	
52	24	CHC M08-025	SCREW, CHC M8-25								
51	12	CHC M08-055	SCREW, CHC M8-55								
50	36	W08	WASHER LOCK, W8								
49	4	AHC M08-010.P	SCREW, AHC M8-10.PL								
48	16	CHC M16-040	SCREW, CHC M16-40								
47	16	W16	WASHER LOCK, W16								
46	See chart I	H M20	NUT, H20								
45	See chart I	W20	WASHER LOCK, W20								
44	1	S.1802	VALVE WARNING PLATE				008				
43	1	S.1801	SURGE WARNING PLATE				092			ALUMINIUM	
42	12	See chart I	TIE ROD				010			C.STEEL	
41	8	CT02.89-008	RIVET, #2.89-8								
40	1	S.0216	NAME PLATE				284			ALUMINIUM	
39	1	S.1414	KEY, COUPLING				003			C.STEEL	
38	2	S.2581	PLUG PIPE, 1/4 GAS MAGNETIC								
37	See chart I	S.0200	PLUG PIPE, 1/4 GAS								
36	1	S.1427	PLUG PIPE, 1/2 GAS								
35	2	S.2580	NIPPLE, FF 1/4 GAS								
34	2	S.2579	NIPPLE, MM 1/4 GAS								
33	2	S.1423	OILER 1/4 GAS								
32	2	S.1273	RETAINER, SUMP				150-45			C.STEEL	
31	2	S.1215	LABYRINTH, BEARING HOUSING				75-13			ALUMINIUM	
30	2	S.1218	FAN GUARD, BEARING HOUSING				75-41			C.STEEL	
29	2	S.1214	FAN GUARD, BEARING HOUSING				75-41			C.STEEL	
28	2	S.1275	GASKET, OIL RESERVOIR				150-47				
27	2	S.1216	GASKET, BEARING CAP				150-18				
26	2	S.1222	NUT, KM13								
25	2	S.1221	WASHER, MB13								
24	2	S.1211	SPACER, SHORT				75-17			C.STEEL	
23	2	S.1213	OIL SLINGER				75-18			C.STEEL	
22	2	S.1212	SPACER, LONG				75-16			C.STEEL	
21	1	S.1272	SPACER, BEARING				150-46			C.STEEL	
20	2	S.1262	BEARING, BALL 6313 C3 THT								2.1
19	2	S.1210	FAN, COOLING				75-12			ALUMINIUM	
18	4	S.1223	GRAPHIT RING								
17	2	S.1209	ADAPTER, GRAPHIT RING				77-57			ALUMINIUM	
16	2	S.1208	RETAINER, GRAPHIT RING				77-56			ALUMINIUM	1.7
15	1	S.1204	CAP, BEARING-OUTLET END				150-14			ALUMINIUM	1.3
14	1	S.1205	CAP, BEARING-INLET END				150-13			ALUMINIUM	1.1
13	2	S.1271	OIL RESERVOIR				150-44			CAST IRON	5.7
12	2	S.1274	WATER HOUSING, BEARING				150-43			CAST IRON	13
11	1	S.5532	NUT, KM21								
10	1	S.5531	WASHER, MB21								
9	2	S.5509	WASHER, WAWY SPRING				151-10			C.STEEL	
8	1	See chart I	SHAFT				151-07			C.STEEL	See chart I
7	Variable	S.5508	SHIM, IMPELLER				006			C.STEEL	
6	See chart I	S.5510	KEY, IMPELLER 14x12x90				003			C.STEEL	
5	See chart I	S.5506	SPACER, IMPELLER				151-08			C.STEEL	1.4
4	See chart I	See chart II	IMPELLER							ALUMINIUM	See chart II
3	See chart I	S.5503	SECTION, INTERMEDIATE				151-03			CAST IRON	24.5
2	1	S.5502	HEAD, OUTLET				151-02			CAST IRON	24.0
1	1	S.5501	HEAD, INLET				151-01			CAST IRON	17.5

QTY.	PART NO.	DESCRIPTION	DWG.	MATERIAL	WEIGHT/kg
		TYPE 151 RT			
		INLET END DRIVE			
		PLAN EN COUPE			
		GRAPHIT RING SEAL AND BEARING WATER COOLING			
		SCALE:			
		DATE: 15/05/99			
		ASSEMBLY:			
		DWG No.:			
		151-AGW1A 0			