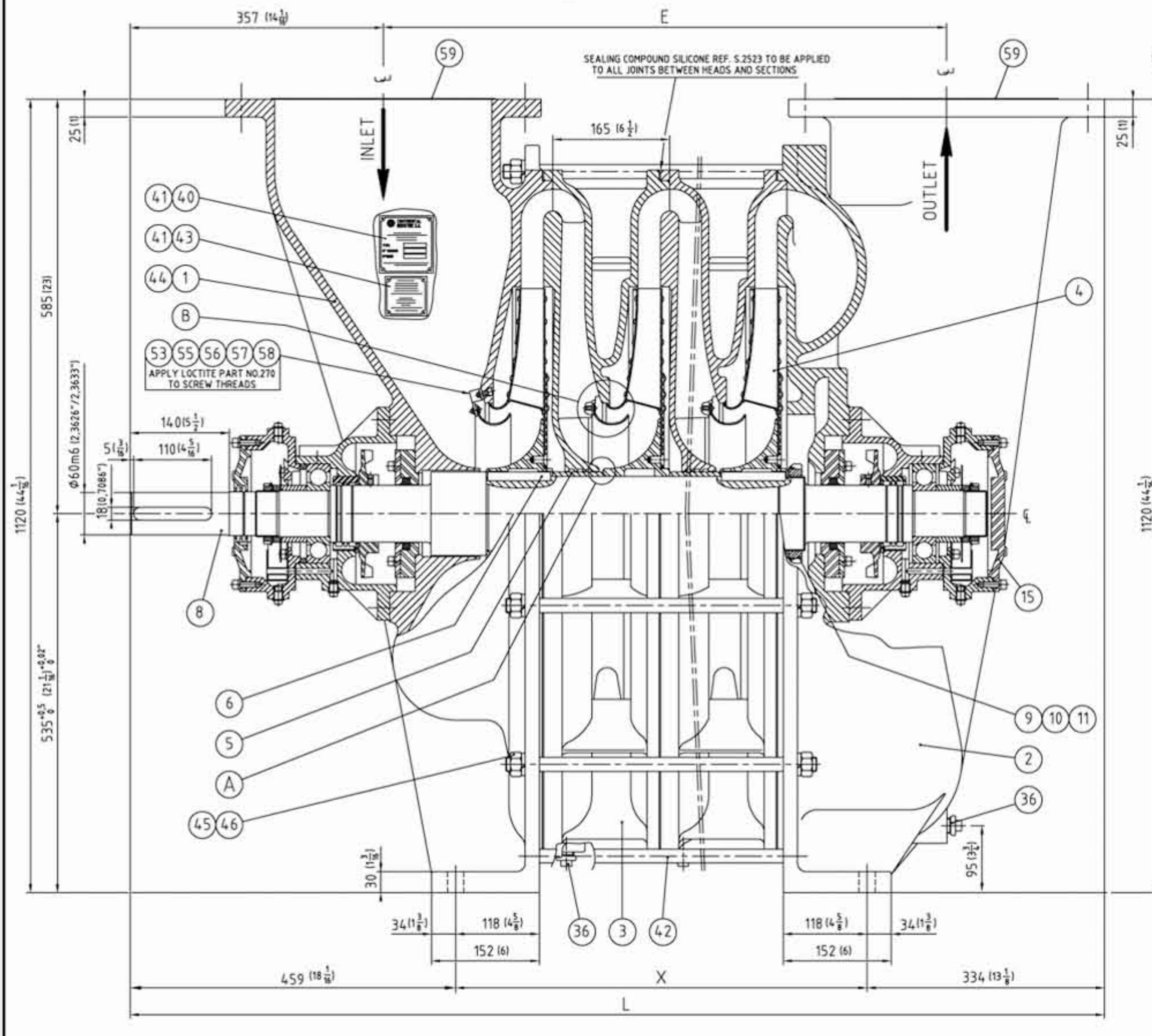
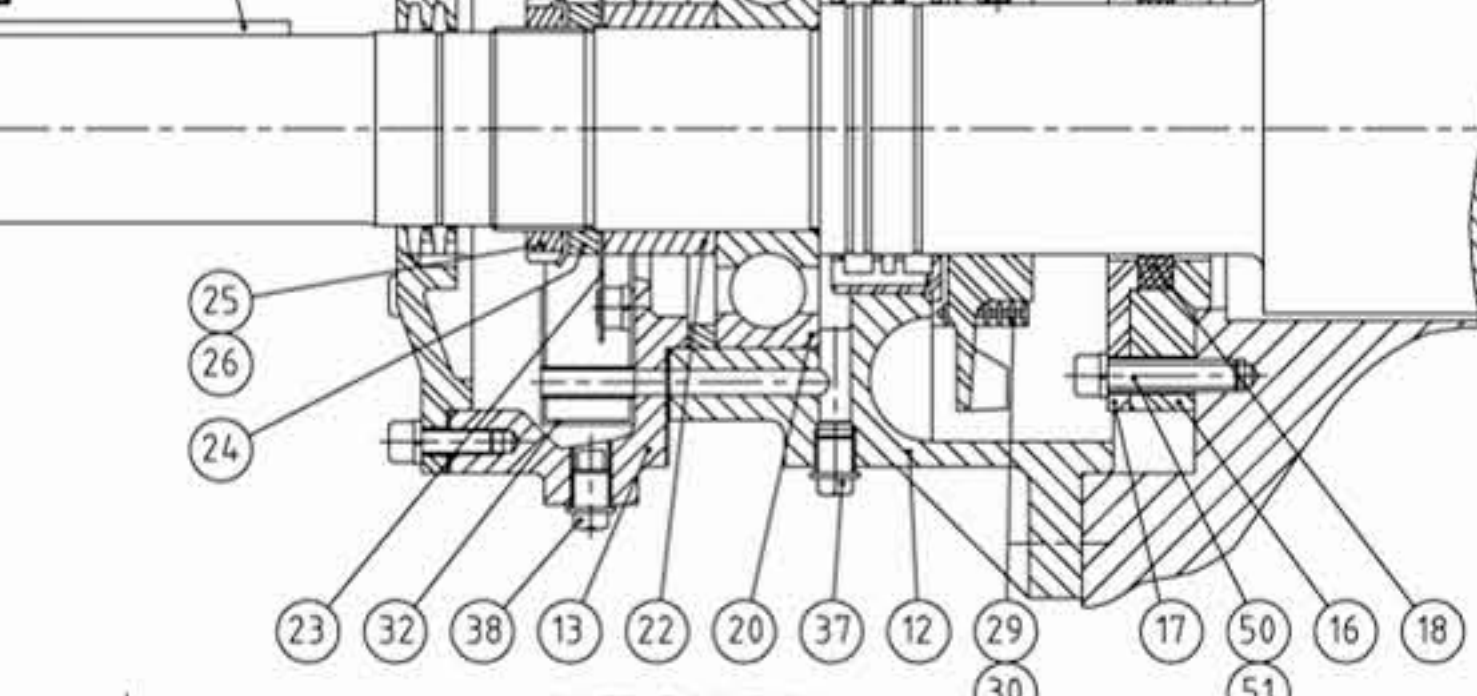
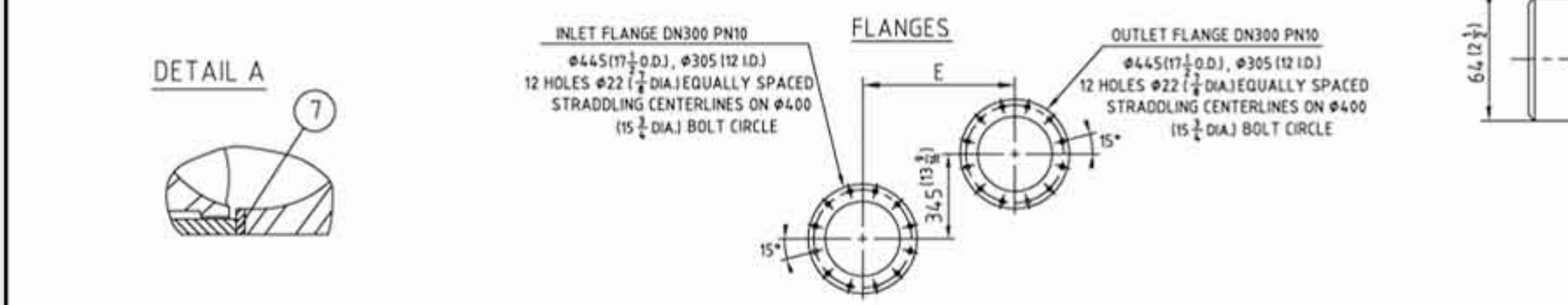
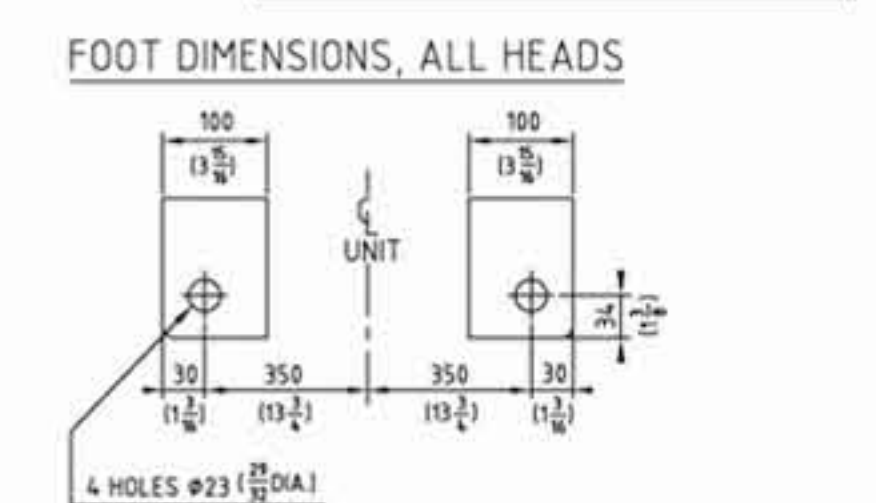


NOTES: - DIMENSIONS IN PARENTHESIS ARE IN INCHES.  
 - RECOMMENDED TIE ROD TORQUE: 30 F.T LBS.  
 - OIL QUANTITY BY HOUSING, BEARING 0,56 liter.  
 - USED OIL SPECIFICATIONS  
 JAROGEAR Z.150 Extreme oil pressure SERVICE API-GL5  
 EQUIVALENT: ESSO SPARTAN EP 150  
 ELF REDUCTELF SP 150  
 TOTAL CARTER EP 150  
 SHELL OMALA 150

REV	DATE	EDN	BY	REVISIONS
8	15/04/2003		D.H	ORIGINAL
1	06/04/2004		TF	CANCEL FLANGES

NOTE: - TYPE 151A.08 ONLY DIRECT DRIVE AND ROTATION SPEED ≤ 3000 RPM.



QTY.	PART NO.	IMPELLER TYPE	DWG.	WEIGHT kg
	S.5655	N°6201	151-348	15
	S.5518	N°6202	151-53	13,8
	S.5504	N°6211	151-04	13,6
	S.5520	N°6212	151-17	15,8
	S.5505	N°6301	151-05	7,4
	S.5627	N°6301.A	151-303	7
	S.5586	N°6302	151-170	7,2
	S.5551	N°6311	151-33	7,4
	S.5571	N°6312	151-87	8,3
	S.5656	N°6501	151-352	7,7
	S.5651	N°6511	151-336	7,8
	S.5668	N°6512	151-380	7,7

Chart I	TYPE	151.01	151.02	151.03	151.04	151.05	151.06	151.07	151.08
PART NO. ITEM 8	S.5521	S.5522	S.5523	S.5524	S.5525	S.5526	S.5527	S.5528	S.5556
WEIGHT kg. ITEM 8	35,7	46,9	58,1	69,3	80,5	91,7	102,9	114,1	
PART NO. ITEM 42	S.1241	S.1243	S.1035	S.0697	S.5258	S.5533	S.5534	S.5557	
QTY.	ITEM 3	0	1	2	3	4	5	6	7
	ITEM 4	1	2	3	4	5	6	7	8
	ITEM 5	0	1	2	3	4	5	6	7
	ITEM 6	1	2	3	4	5	6	7	8
	ITEM 36	1	2	3	4	5	6	7	8
	ITEM 54	0	1	2	3	4	5	6	7
	ITEM 57	6	10	14	18	22	26	30	34
DIMENSION E	464	629	794	959	1124	1289	1454	1619	
DIMENSION X	250	415	580	745	910	1075	1240	1405	
DIMENSION L	1043	1208	1373	1538	1703	1868	2033	2198	
WEIGHT: kg	640	870	1100	1330	1560	1790	2020	2250	
WEIGHT: LBS	1410	1918	2425	2932	3438	3945	4452	4960	

59	2	S.1224	COVER, PORT	050	C.STEEL	
58	Variable	M06.1	WASHER, M6		S.STEEL	
57	See chart I	GS M06-010J	SCREW, GS M6-10		S.STEEL	
56	6	CHC M06-016	SCREW, CHC M6-16		S.STEEL	
55	6	S.1455	BRACKET, BAFFLE	150-21	S.STEEL	
54	See chart I	S.5617	BAFFLE, INTERMEDIATE SECTION	151-18	S.STEEL	0,8
53	1	S.5535	BAFFLE, INLET HEAD	151-18	S.STEEL	0,7
52	24	CHC M08-025	SCREW, CHC M8-25			
51	12	CHC M08-045	SCREW, CHC M8-45			
50	36	W08	WASHER LOCK, W8			
49	4	AHC M08-010,PL	SCREW, AHC M8-10,PL			
48	16	CHC M16-040	SCREW, CHC M16-40			
47	16	W16	WASHER LOCK, W16			
46	24	H M20	NUT, H20			
45	24	W20	WASHER LOCK, W20			
44	1	S.1802	VALVE WARNING PLATE	008		
43	1	S.1801	SURGE WARNING PLATE	092	ALUMINIUM	
42	12	See chart I	TIE ROD	010	C.STEEL	
41	8	CT02.89-008	RIVET, #2,89-8			
40	1	S.0216	NAME PLATE	284	ALUMINIUM	
39	1	S.1414	KEY, COUPLING	003	C.STEEL	0,17
38	2	S.2581	PLUG PIPE, 1/4 GAS MAGNETIC			
37	8	S.0200	PLUG PIPE, 1/4 GAS			
36	See chart I	S.1427	PLUG PIPE, 1/2 GAS			
35	2	S.2580	NIPPLE, FF 1/4 GAS			
34	2	S.2579	NIPPLE, MM 1/4 GAS			
33	2	S.1423	OILER 1/4 GAS			0,4
32	2	S.1273	RETAINER, SUMP	150-45	C.STEEL	0,2
31	2	S.1215	LABYRINTH, BEARING HOUSING	75-13	ALUMINIUM	0,24
30	2	S.1218	FAN GUARD, BEARING HOUSING	75-41	C.STEEL	0,1
29	2	S.1214	FAN GUARD, BEARING HOUSING	75-41	C.STEEL	0,1
28	2	S.1275	GASKET, OIL RESERVOIR	150-47		
27	2	S.1216	GASKET, BEARING CAP	150-18		
26	2	S.1222	NUT, KM13			0,2
25	2	S.1221	WASHER, MB13			
24	2	S.1211	SPACER, SHORT	75-17	C.STEEL	0,13
23	2	S.1213	OIL SLINGER	75-18	C.STEEL	0,12
22	2	S.1212	SPACER, LONG	75-16	C.STEEL	0,45
21	1	S.1272	SPACER, BEARING	150-46	C.STEEL	0,22
20	2	S.1262	BEARING, BALL 6313			2,1
19	2	S.1210	FAN, COOLING	75-12	ALUMINIUM	0,65
18	4	S.1223	GRAPHIT RING			
17	2	S.1209	ADAPTER, GRAPHIT RING	77-57	ALUMINIUM	0,45
16	2	S.1208	RETAINER, GRAPHIT RING	77-56	ALUMINIUM	1,7
15	1	S.1204	CAP, BEARING-OUTLET END	150-14	ALUMINIUM	1,3
14	1	S.1205	CAP, BEARING-INLET END	150-13	ALUMINIUM	1,1
13	2	S.1271	OIL RESERVOIR	150-44	CAST IRON	5,7
12	2	S.1270	HOUSING, BEARING	150-48	CAST IRON	13
11	1	S.5532	NUT, KM21			0,8
10	1	S.5531	WASHER, MB21			
9	2	S.5509	WASHER, WAVY SPRING	151-10	C.STEEL	
8	1	See chart I	SHAFT	151-07	C.STEEL	See chart I
7	Variable	S.5508	SHIM, IMPELLER	006	C.STEEL	
6	See chart I	S.5510	KEY, IMPELLER 14x12x19	003	C.STEEL	0,1
5	See chart I	S.5506	SPACER, IMPELLER	151-08	C.STEEL	1,4
4	See chart I	See chart II	IMPELLER	See chart II	ALUMINIUM	See chart II
3	See chart I	S.5503	SECTION, INTERMEDIATE	151-03	CAST IRON	195
2	1	S.5502	HEAD, OUTLET	151-02	CAST IRON	270
1	1	S.5501	HEAD, INLET	151-01	CAST IRON	260

ITEM	QTY.	PART NO.	DESCRIPTION	DWG.	MATERIAL	WEIGHT kg
CONTINENTAL INDUSTRIE S.A						
TYPE 151A INLET END DRIVE						
SECTIONAL DRAWING GRAPHIT RING SEAL						
ASSEMBLY: /						
DATE: 17/04/2003						
SCALE: /						
SIZE: /						
DWG No. /						
151A-AG1A 1						