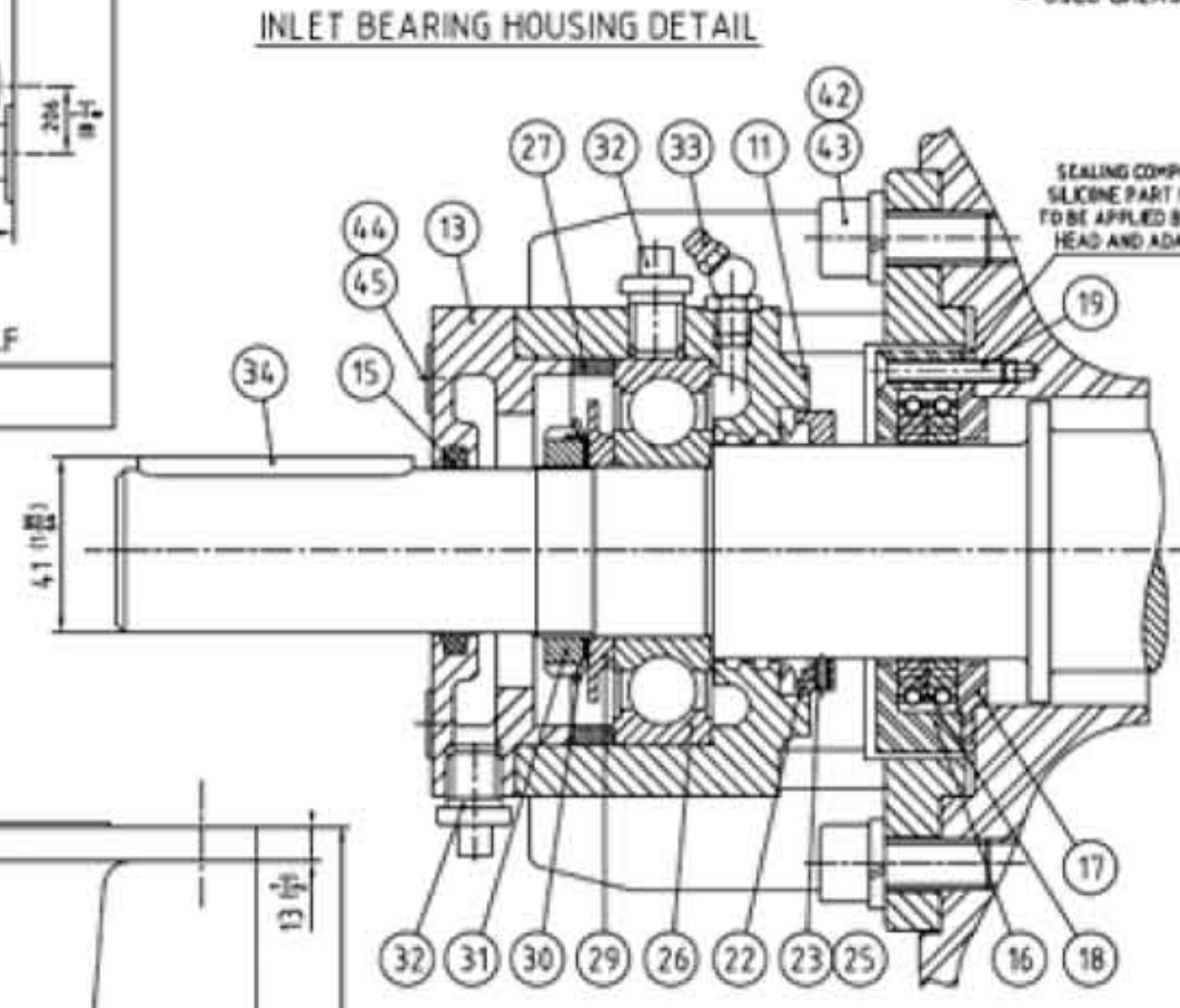


NOTES - DIMENSIONS IN PARENTHESIS ARE IN INCHES.
 - RECOMMENDED TIE ROD TORQUE: 15 F.T. LBS.
 - USED GREASE SPECIFICATIONS: HP-ST 3
 EQUIVALENT: ESSO: BEACON 3
 ELF: ROLEXA 3
 TOTAL: MULTIS TIR
 SHELL: ALVANIA EP3
 MOBIL: MOBILUX EP3

REV.	DATE	EDN	BY	REVISIONS
1	26/03/2004			INITIALS
2	18/11/2004			CHANGE FLANGE AND VALVE
3	18/11/2004			NEW HOUSING BEARING
4	18/11/2004			NEW IMPELLER BEARING FOR E-200



NOTE: * SEALING COMPOUND SILKONE REF. S.2523 TO BE APPLIED TO ALL JOINTS BETWEEN OUTLET HEAD / HOUSING, BEARING / CAP HOUSING, BEARING.
 * SEALING COMPOUND TEFLON AND LOCKTITE ON GREASER, PLUS 1/4 GAS, SCREW ARC M6-10 and CHC M12-30, OUTLET SIDE.

SEALING COMPOUND SILKONE REF. S.2523 TO BE APPLIED TO ALL JOINTS BETWEEN HEADS AND SECTIONS

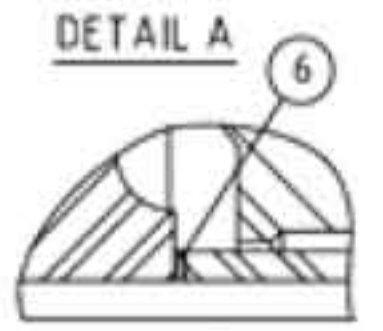
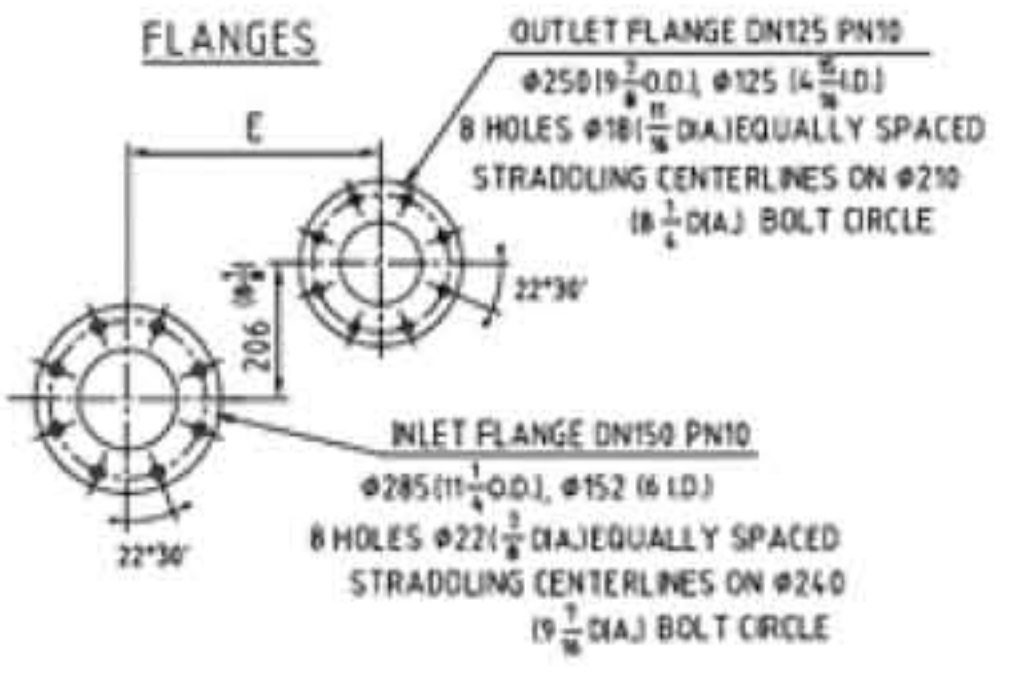
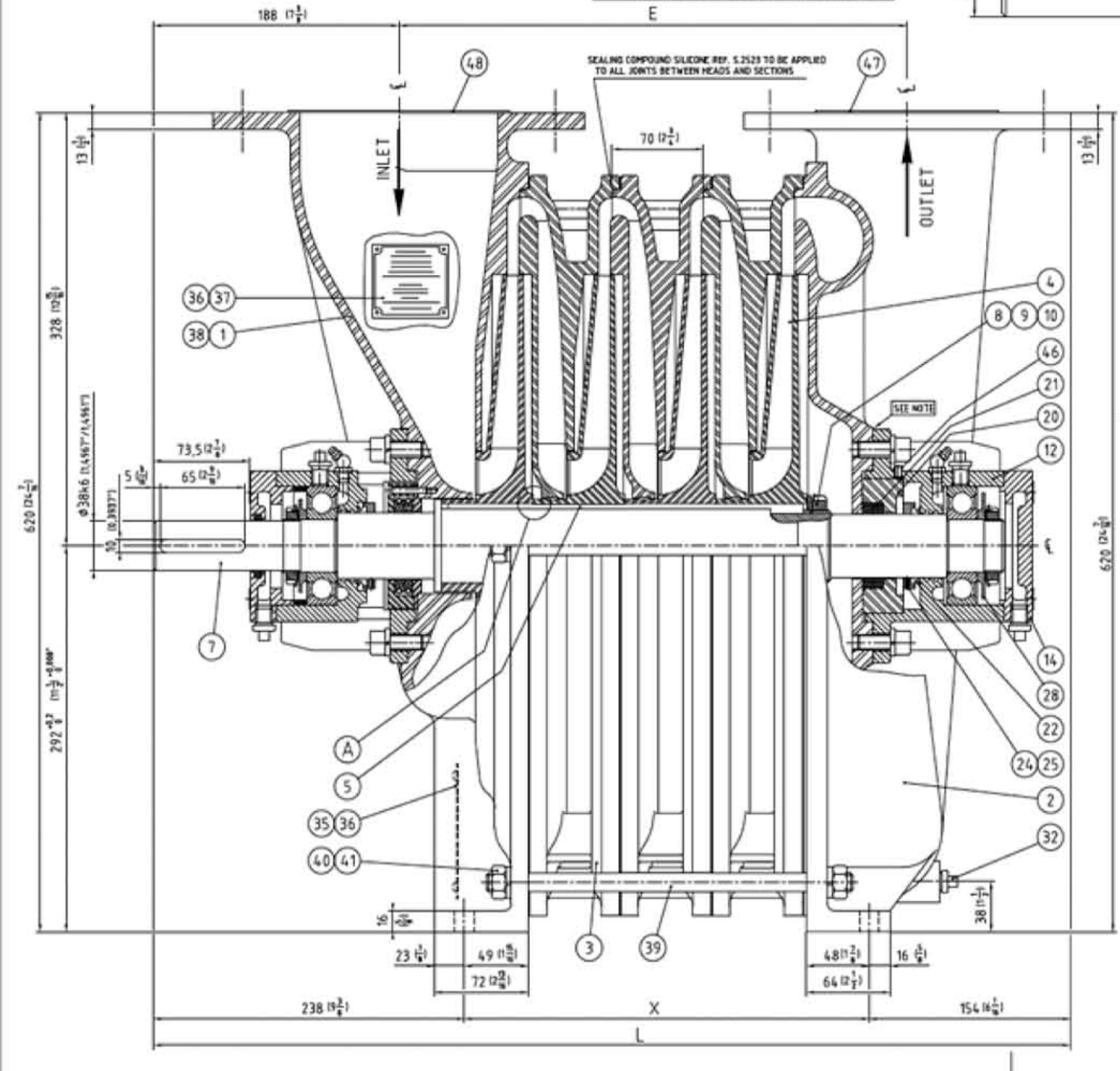


Chart II IMPELLER TYPE (ITEM 4)

QTY.	PART NO.	IMPELLER TYPE	DWG.
	S.4308	N°2201	20-07
	S.4304	N°2211	20-04

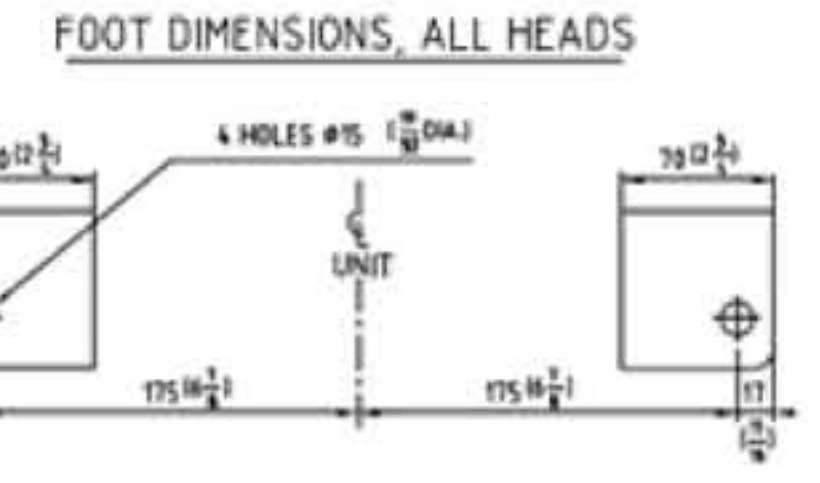


Chart I

TYPE	020.01	020.02	020.03	020.04	020.05	020.06	020.07	020.08	020.09	020.10	
PART NO. ITEM 5	S.0464	S.0465	S.0466	S.0467	S.0468	S.0469	S.0470	S.0471	S.0472	S.0473	
PART NO. ITEM 7	S.4332	S.4333	S.4334	S.4335	S.4336	S.4337	S.4338	S.4339	S.4340	S.4341	
WEIGHT kg. ITEM 7	5.9	7.3	8.6	10	11.3	12.7	14	15.4	16.8	18.1	
PART NO. ITEM 39	H M4-090 (5) H M4-043 (3)	S.0444	S.0445	S.0446	S.0447	S.0448	S.0449	S.0450	S.0451	S.0452	
QTY.	ITEM 3	0	1	2	3	4	5	6	7	8	9
	ITEM 4	1	2	3	4	5	6	7	8	9	10
	ITEM 41	5	11	11	11	11	11	11	11	11	11
	DIMENSION E	179 (7 1/8)	244 (9 5/8)	319 (12 5/8)	389 (15 3/8)	459 (18 1/8)	529 (20 7/8)	599 (23 5/8)	669 (26 3/8)	739 (29 1/8)	809 (31 7/8)
	DIMENSION X	100 (3 9/16)	110 (4 3/8)	120 (4 3/4)	130 (5 1/8)	140 (5 5/8)	150 (5 7/8)	160 (6 3/8)	170 (6 5/8)	180 (7 1/8)	190 (7 5/8)
	DIMENSION L	412 (16 1/4)	542 (21 3/8)	672 (26 5/8)	802 (31 5/8)	932 (36 3/4)	1062 (41 7/8)	1192 (47 1/8)	1322 (52 1/4)	1452 (57 3/8)	1582 (62 5/8)
	WEIGHT kg.	61	81	101	121	141	161	181	201	221	241
	WEIGHT LBS.	134	179	223	267	311	355	399	443	487	531

48	1	S.0626	COVER, PORT / DN150	050	C.STEEL	
47	1	S.4310	COVER, PORT / DN125	050	C.STEEL	
46	1	AHC M06-010	SCREW, CHC M6-10		S.STEEL	
45	8	W10	WASHER LOCK, W10			
44	8	CHC M10-025	SCREW, CHC M10-25			
43	8	W12	WASHER LOCK, W12			
42	8	CHC M12-030	SCREW, CHC M12-30			
41	See chart I	H M14	NUT, H14			
40	11	W14	WASHER LOCK, W14			
39	6	See chart I	TIE ROD	010	C.STEEL	
38	1	S.3802	VALVE WARNING PLATE	008		
37	1	S.3801	SURGE WARNING PLATE	092	ALUMINIUM	
36	8	CT02.89-008	RIVET, #2.89-8			
35	1	S.4216	NAME PLATE	284	ALUMINIUM	
34	1	S.4428	KEY, COUPLING 10x8x65	003	C.STEEL	
33	2	S.4218	CRANKED LUBRICATOR			
32	5	S.4290	PLUS, PIPE 1/4 GAS			
31	2	S.4413	NUT, KM8			
30	2	S.4412	WASHER, MB8			
29	1	S.4463	GREASE, SLINGER #70 INLET SIDE	10-11	C.STEEL	
28	1	S.4467	GREASE, SLINGER #80 OUTLET SIDE	10-11	C.STEEL	
27	1	S.4460	SPACER, BEARING	10-40	C.STEEL	
26	2	S.4449	BEARING, BALL 6308 (3)			0.63
25	8	AHC M03-06 PL	SCREW, AHC M3-6 PL			
24	1	S.4348	SET COLLAR V-RING, INLET SIDE	20-49	C.STEEL	
23	1	S.4347	SET COLLAR V-RING, OUTLET SIDE	20-49	C.STEEL	
22	2	S.4349	V-RING			
21	2	S.4454	GRAPHIT RING			
20	1	S.4414	RETAINER, GRAPHIT RING	20-126	ALUMINIUM	
19	3	FRK M05-030	SCREW, FRK M5-30			
18	2	S.4531	CARBON RING		CARBON	
17	1	S.4546	ADAPTER, CARBON RING		ALUMINIUM	
16	1	S.4545	RETAINER, CARBON RING		ALUMINIUM	
15	1	S.4414	PELT JOINT 38x48x4	005		
14	1	S.4457	CAP, BEARING -OUTLET END	10-25	CAST IRON	1
13	1	S.4456	CAP, BEARING -INLET END	10-25	CAST IRON	1
12	1	S.4413	HOUSING, BEARING - OUTLET SIDE	20-124	CAST IRON	6
11	1	S.4412	HOUSING, BEARING - INLET SIDE	20-123	CAST IRON	6
10	1	S.4411	NUT, KM11			
9	1	S.4410	WASHER, MB11			
8	2	S.4322	WASHER, SPRING		C.STEEL	
7	1	See chart I	SHAFT	20-10	C.STEEL	See chart I
6	Variable	S.4479	SHM, IMPELLER	006	C.STEEL	
5	1	See chart I	KEY, IMPELLER	003	C.STEEL	
4	See chart I	See chart I	IMPELLER	See chart I	ALUMINIUM	3.4
3	See chart I	S.4303 E	SECTION, INTERMEDIATE	20-09	ALUMINIUM	13.2
2	1	S.4302 E	HEAD, OUTLET	20-02	ALUMINIUM	18
1	1	S.4301 E	HEAD, INLET	20-01	ALUMINIUM	16

CONTINENTAL INDUSTRIE S.A		TYPE 020 INLET END DRIVE		ASSEMBLY
FRANCE		SECTIONAL DRAWING		DATE: 26/10/1992
QUOTATION		BOI-GAS SEAL		SCALE: A1
ORDER No.	OR: 80	CHG: 04	DWG No.	REV.
REVISIONS:	26/03/2004	18/11/2004	18/11/2004	20-AB2A 3