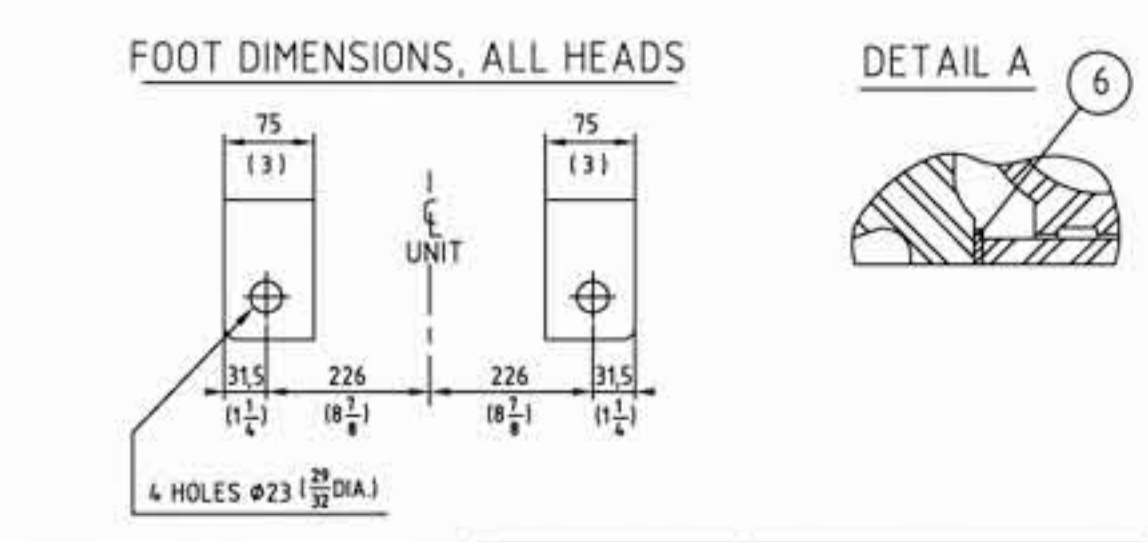
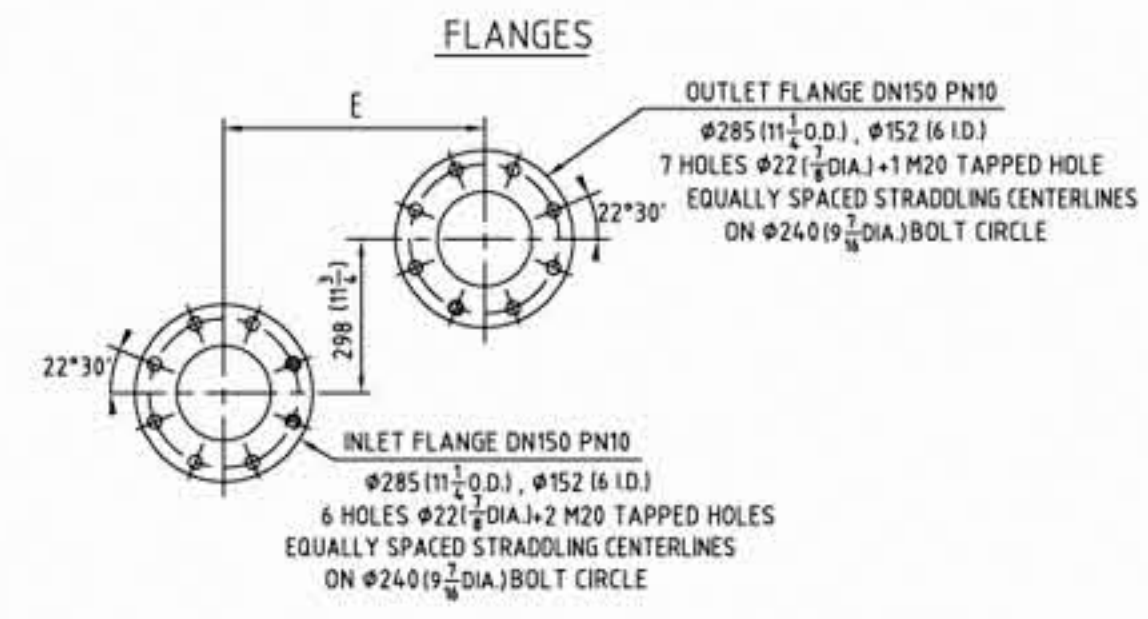
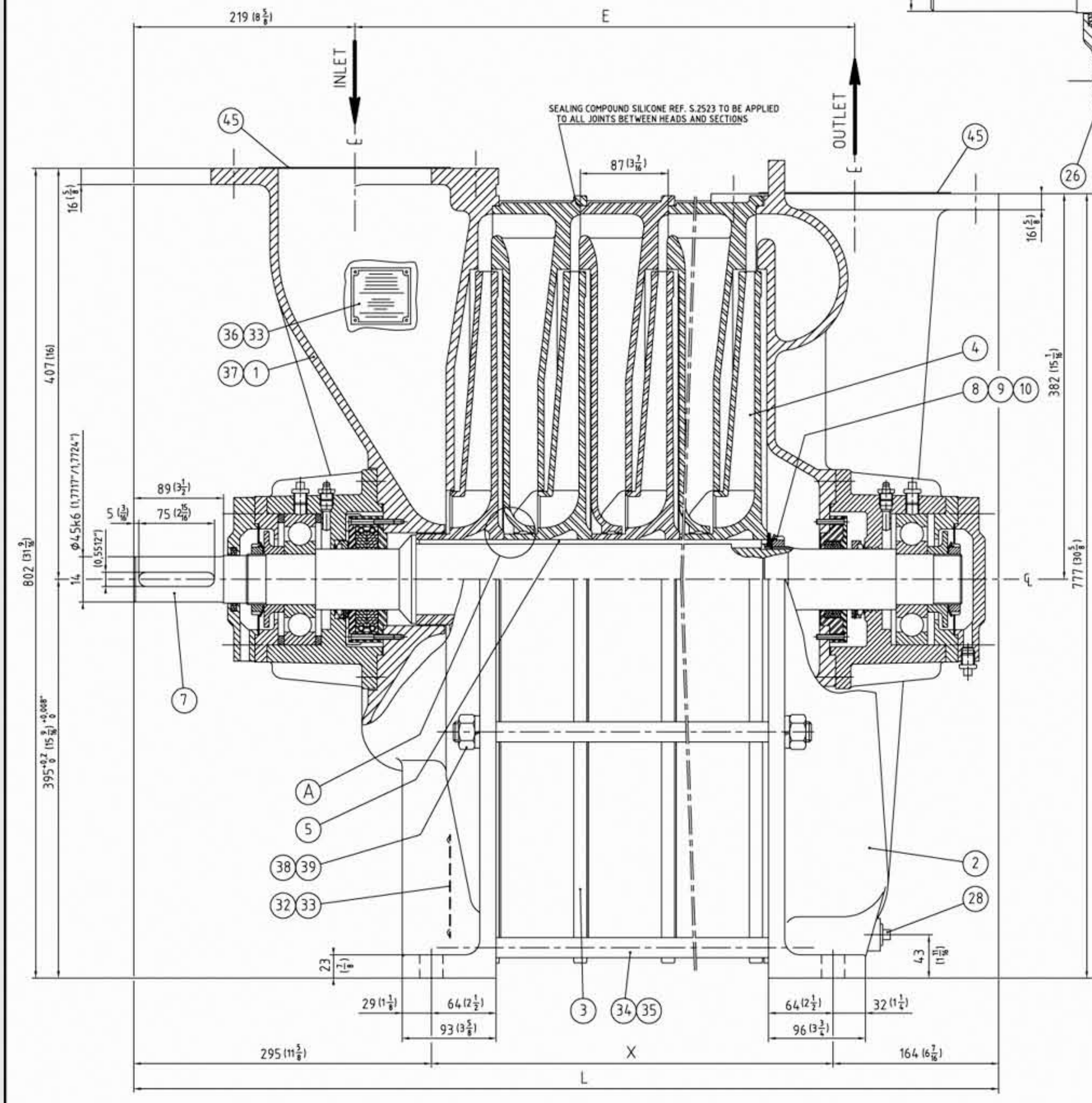
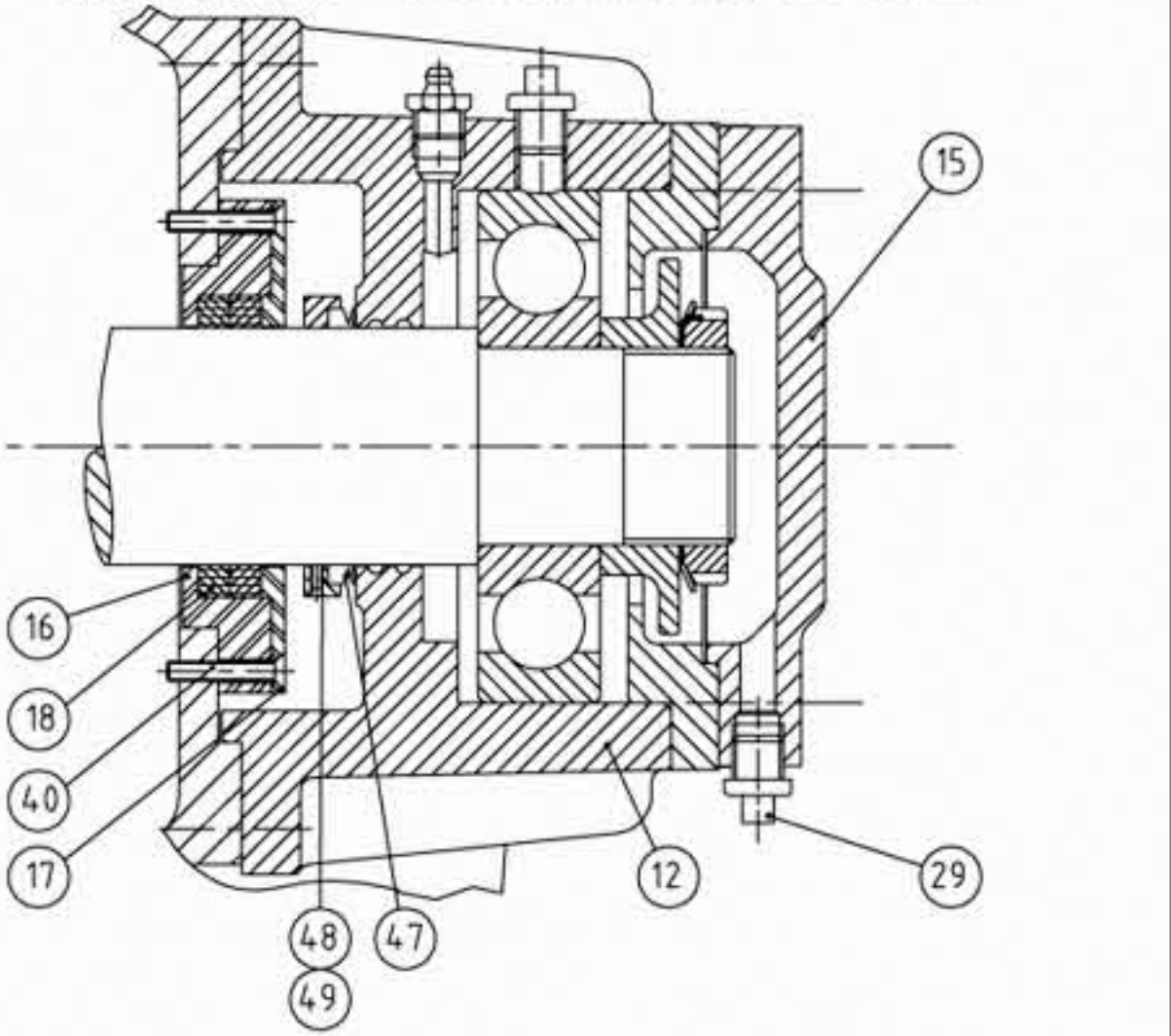


REV	DATE	EDN	BY	REVISIONS
8			BD	ORIGINAL



QTY.	PART NO.	IMPELLER TYPE	DWG.
	S.0641	N°3202	30-05
	S.4604	N°3203	31-02
	S.0642	N°3211	30-04

Chart I	TYPE	031A.01	031A.02	031A.03	031A.04	031A.05	031A.06	031A.07	031A.08	031A.09
PART NO. ITEM 5		S.0646	S.0647	S.0648	S.0649	S.0650	S.0651	S.0652	S.4610	S.4620
PART NO. ITEM 7		S.0628	S.0630	S.0632	S.0634	S.0636	S.0638	S.0640	S.4609	S.4622
WEIGHT, kg, ITEM 7		12	14.6	17.2	19.8	22.5	25.1	27.7	30.4	33
PART NO. ITEM 34		S.1241	S.0645	S.1243	S.0695	S.1035	S.1249	S.0697	S.1451	S.4623
PART NO. ITEM 35		S.1245	S.0645S	S.1243S	S.0695S	S.1035S	S.1249S	S.0697S	S.1451S	S.4623S
QTY.	ITEM 3	0	1	2	3	4	5	6	7	8
	ITEM 4	1	2	3	4	5	6	7	8	9
DIMENSION		234.5 (9 1/4)	321.5 (12 5/8)	408.5 (16 1/8)	495.5 (19 5/8)	582.5 (22 9/16)	669.5 (26 3/8)	756.5 (29 3/4)	843.5 (33 1/8)	930.5 (36 5/8)
DIMENSION		137 (5 3/8)	224 (8 7/8)	311 (12 1/4)	398 (15 5/8)	485 (19 1/4)	572 (22 5/8)	659 (25 9/16)	746 (29 3/8)	833 (32 7/8)
DIMENSION		596 (23 5/8)	683 (26 7/8)	770 (30 3/8)	857 (33 3/4)	944 (37 1/4)	1031 (40 5/8)	1118 (44)	1205 (47 3/4)	1292 (50 7/8)
WEIGHT: kg		234	274	314	354	394	434	474	514	554
WEIGHT: LBS		516	604	692	780	868	957	1045	1133	1221

49	6	AHC M04-08	SCREW, AHC 4-8		S.STEEL
48	2	S.4921	SET COLLAR, V-RING		C.STEEL
47	2	S.4922	V-RING		
46	6	FHC M05-045	SCREW FHC M5-45		
45	2	S.0624	COVER, PORT	050	C.STEEL
44	12	CHC M8-040	SCREW, CHC M8-40		
43	12	W8	WASHER LOCK, W8		
42	12	CHC M12-035	SCREW, CHC M12-35		
41	12	W12	WASHER LOCK, W12		
40	6	FHC M05-030	SCREW, FHC M5-30		
39	14	H M20	NUT, H20		
38	14	W20	WASHER LOCK, W20		
37	1	S.1802	VALVE WARNING PLATE	008	
36	1	S.1801	SURGE WARNING PLATE	092	
35	2	See chart I	TIE ROD (short)	010	ALUMINIUM
34	6	See chart I	TIE ROD (long)	010	C.STEEL
33	8	CT02.89-008	RIVET, 02.89-8		
32	1	S.0216	NAME PLATE	284	ALUMINIUM
31	1	S.0613	KEY, COUPLING 14x9x75	003	C.STEEL
30	2	S.0621	GREASER, 1/4 GAS		
29	3	S.0200	PLUG, 1/4 GAS		
28	1	S.1012	PLUG, 3/8 GAS		
27	1	S.0623	FELT JOINT 063x46x6		
26	2	S.0620	NUT, KM10		
25	2	S.0619	WASHER, MB10		
24	2	S.0610	GREASE SLINGER	30-20	C.STEEL
23	2	S.0611	SPACER, BEARING / HOUSING BEARING	30-18	C.STEEL
22	2	S.0617	BEARING, BALL 6410 C3		1,95
21	2	S.0842	CARBON RING	50-29	CARBON
20	1	S.0841	ADAPTER, CARBON RING	51-03	ALUMINIUM 0,15
19	1	S.0840	RETAINER, CARBON RING	51-03	ALUMINIUM 0,43
18	2	S.0862	GRAPHIT RING		
17	1	S.0856	ADAPTER, GRAPHIT RING	50-36	ALUMINIUM 0,1
16	1	S.0855	RETAINER, GRAPHIT RING	50-36	ALUMINIUM 0,36
15	1	S.4675	CAP, BEARING-OUTLET END	31-46	CAST IRON 1,9
14	1	S.4664	CAP, BEARING-INLET END	31-46	CAST IRON 1,67
13	2	S.4665	SPACER, BEARING/CAP	31-47	CAST IRON 1,7
12	1	S.4662	HOUSING, BEARING OUTLET SIDE	31-48	CAST IRON 10
11	1	S.4667	HOUSING, BEARING INLET SIDE	31-49	CAST IRON 10
10	1	S.1222	NUT, KM13		
9	1	S.1221	WASHER, MB13		
8	2	S.4611	WAVY SPRING		C.STEEL
7	1	See chart I	SHAFT	30-63	C.STEEL See chart I
6	Variable	S.0668	SHIM, IMPELLER	006	C.STEEL
5	1	See chart I	KEY, IMPELLER	003	C.STEEL
4	See chart I	See chart II	IMPELLER	See chart II	ALUMINIUM 9
3	See chart I	S.4603	SECTION, INTERMEDIATE	31-01	ALUMINIUM 25
2	1	S.0602	HEAD, OUTLET	30-02	CAST IRON 80
1	1	S.0601	HEAD, INLET	30-01	CAST IRON 85

CONTINENTAL INDUSTRIE S.A. TYPE 031A INLET END DRIVE

SECTIONAL DRAWING BIO GAS SEAL

DATE: 02/12/2003

SCALE: A1

QUOTATION: DR: BD CHKD. DR

ORDER No.: DWG No. REV.

REVISIONS:

Ce plan est notre propriété et ne peut être copié ou communiqué à des tiers sans notre autorisation

31A-AB1A 0