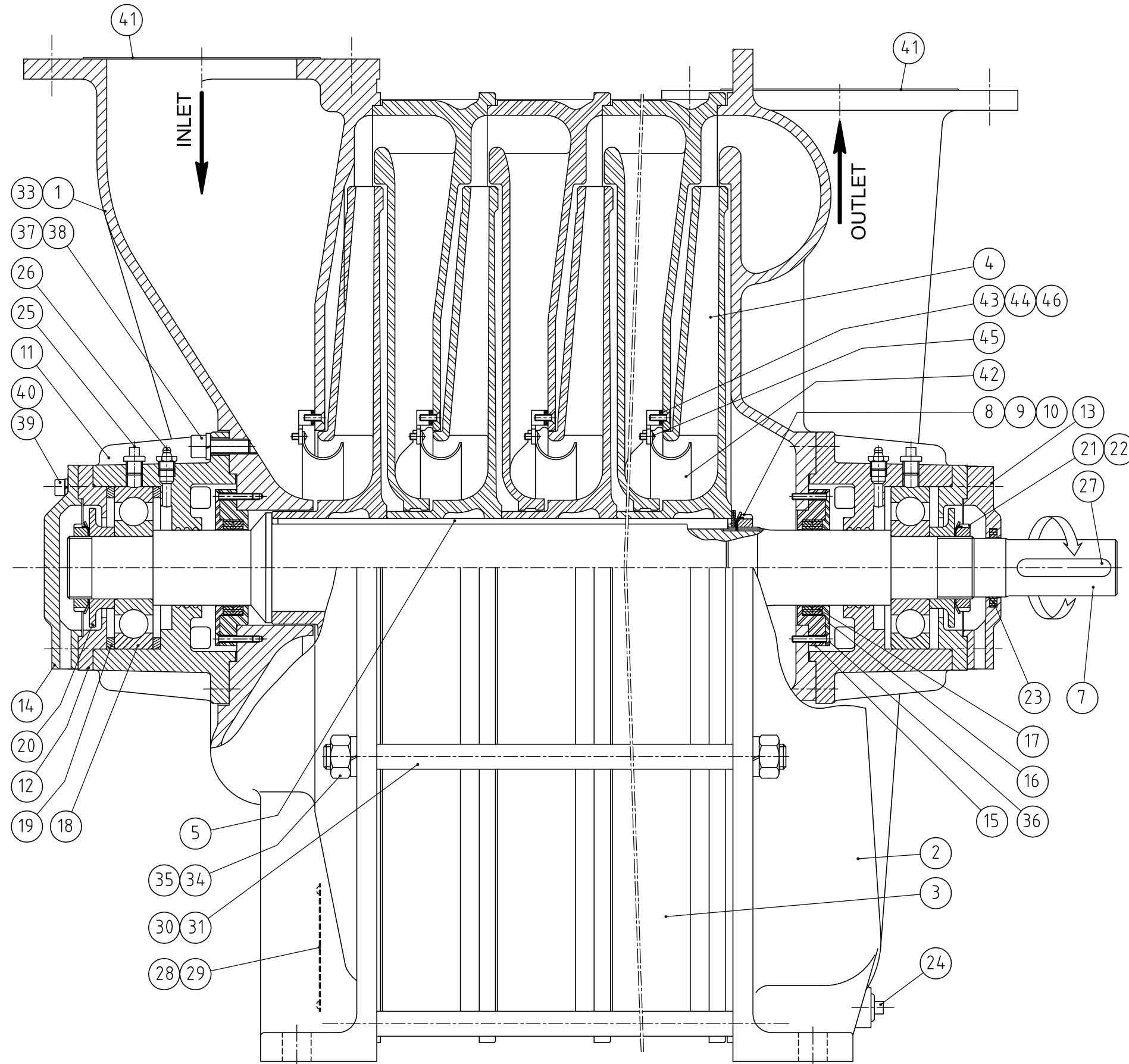

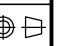


Drawing for information.
See detail on DWG N° 51A-RG1A



46	Variable	M05.1	WASHER, M5		S.STEEL	
45	Variable	GS M05-010.1	SCREW, GS M5-10		S.STEEL	
44	Variable	FHC M05-016.1	SCREW, FHC M5-16		S.STEEL	
43	Variable	S.0823	BRACKET, BAFFLE	50-20	S.STEEL	
42	Variable	S.0826	BAFFLE	50-12	S.STEEL	
41	2	S.0624	COVER, PORT			
40	12	CHC M8-040	SCREW, CHC M8-40			
39	12	W8	WASHER LOCK, W8			
38	12	CHC M12-035	SCREW, CHC M12-35			
37	12	W12	WASHER LOCK, W12			
36	12	FHC M05-030	SCREW FHC M5-30			
35	Variable	H M20	NUT, H20			
34	14	W20	WASHER LOCK, W20			
33	1	S.1802	VALVE WARNING PLATE	008		
32	1	S.1801	SURGE WARNING PLATE (NOT SHOWN)	092	ALUMINIUM	
31	2	See chart I	TIE ROD (short)	010	C.STEEL	
30	6	See chart I	TIE ROD (long)	010	C.STEEL	
29	8	CT02.89-008	RIVET, ϕ 2,89-8			
28	1	S.0216	NAME PLATE	284	ALUMINIUM	
27	1	S.0613	KEY, COUPLING	003	C.STEEL	
26	2	S.0621	GREASER, 1/4 GAS			
25	2	S.0200	PLUG, 1/4 GAS			
24	1	S.1012	PLUG, 3/8 GAS			
23	1	S.0623	FELT JOINT ϕ 63x46x6			
22	2	S.0620	NUT, KM10			
21	2	S.0619	WASHER, MB10			
20	2	S.0610	GREASE SLINGER	30-20	C.STEEL	
19	2	S.0611	SPACER, BEARING / HOUSING BEARING	30-18	C.STEEL	
18	2	S.0617	BEARING, BALL 6410 C3			1,95
17	4	S.0862	GRAPHIT RING		GRAPHIT	
16	2	S.0856	ADAPTER, GRAPHIT RING	50-36	ALUMINIUM	0,1
15	2	S.0855	RETAINER, GRAPHIT RING	50-36	ALUMINIUM	0,36
14	1	S.4663	CAP, BEARING-OUTLET END	31-46	CAST IRON	1,9
13	1	S.4664	CAP, BEARING-INLET END	31-46	CAST IRON	1,67
12	2	S.4665	SPACER, BEARING/CAP	31-47	CAST IRON	1,7
11	2	S.4661	HOUSING, BEARING	31-45	CAST IRON	10
10	1	S.1222	NUT, KM13			
9	1	S.1221	WASHER, MB13			
8	2	S.4611	WAVY SPRING		C.STEEL	
7	1	See 51A-RG1A	SHAFT	51-119	C.STEEL	51A-RG1A
6	Variable	S.0668	SHIM, IMPELLER	006	C.STEEL	
5	1	See 51A-RG1A	KEY, IMPELLER	003	C.STEEL	
4	Variable	See 51A-RG1A	IMPELLER	51A-RG1A	ALUMINIUM	9
3	Variable	S.4903	SECTION, INTERMEDIATE	51-01	ALUMINIUM	26
2	1	S.0602	HEAD, OUTLET	30-02	CAST IRON	80
1	1	S.0801	HEAD, INLET	50-01	CAST IRON	85
ITEM	QTY.	PART NO.	DESCRIPTION	DWG.	MATERIAL	WEIGHT:kg

CONTINENTAL INDUSTRIE  S ^t TRIVIER/MOIGNANS FRANCE	TYPE 051A OUTLET END DRIVE		ASSEMBLY: <input type="checkbox"/>
			DATE: 29/02/2012
PARTS LIST GRAPHIT RING SEAL			SCALE: <input type="checkbox"/>
			SIZE: A3 
QUOTATION: DR: BD	CHKD: DR	DWG No.	
ORDER No.:	REVISIONS		
This drawing is our property and cannot be copied or communicated to thirds without our authorization.			
			51A-RG1A-NM